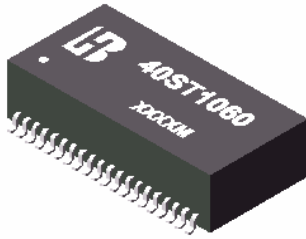


10/100 BASE QUAD PORT PULSE TRANSFORMER

P/N: 40ST1060 DATA SHEET

Feature



- 40-PIN SMD Package compatible with Broadcom chips.
- Design for multiport repeater and Ethernet applications Utilizing single Rj-45 connectors.
- Insulation Resistance:10,000MΩ.
- Operating temperature range : 0°C to +70°C.
- Storage temperature range: -25°C to +125°C.

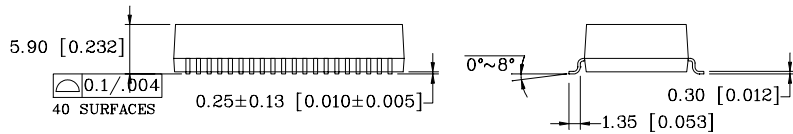
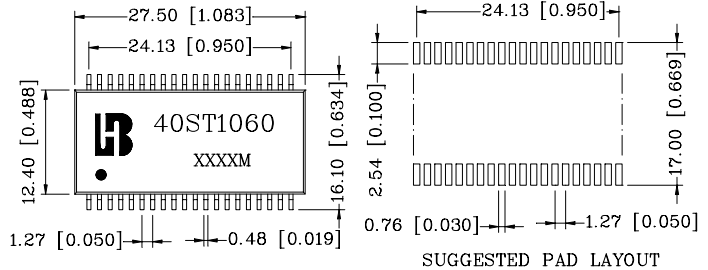
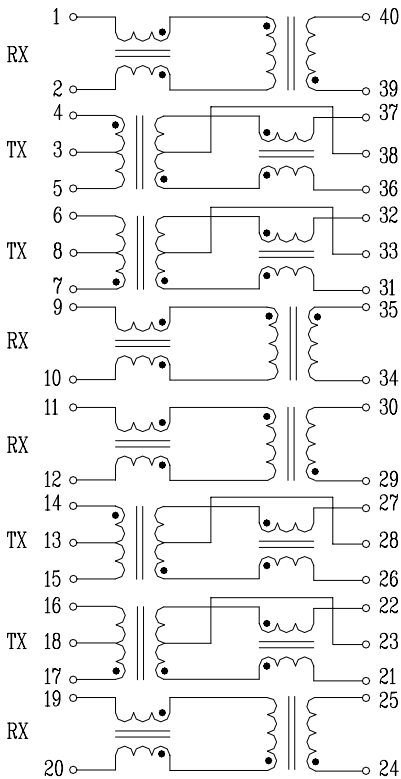
Electrical Specifications @ 25°C							
Part Number	Turns Ratio (±5%)		OCL(μH Min) @100KHz/0.1Vrms 8mA DC/Bias	L.L (μH Max)	Cw/w (pF Max)	CMR (dB Min) 0.3-60MHz	HI-POT (Vrms)
	TX	RX					
40ST1060	1CT:1CT	1:1	350	0.42	28	-30	1500

Part Number	Insertion Loss (dB Max)	Return Loss (dB Min)			Cross talk (dB Min)	DCMR (dB Min)	
		0.3-30MHz	30-60MHz	60-80MHz		1-60MHz	60-200MHz
40ST1060	-1.15	-16	-12	-10	-38	-37	-25

Schematic

Mechanical



Units: mm[Inches] Tolerance: xx.x0±0.25[0.010]  
0.xx±0.05[0.002]