

PLEASE CHECK WWW.MOLEX.COM FOR LATEST PART INFORMATION

Part Number: [0483251102](#)
Status: **Active**
Overview: Slimline Serial ATA ODD Connectors
Description: 1.00mm (.039"), 1.27mm (.050") Pitch Slimline Serial ATA Receptacle, Right Angle, Reverse Type, Through Hole, 0.38µm (15µ") Gold (Au), withd Screw and Clip, Lead free

Documents:

[3D Model](#) [Product Specification PS-48321-001 \(PDF\)](#)
[Drawing \(PDF\)](#) [RoHS Certificate of Compliance \(PDF\)](#)

Agency Certification

CSA LR19980
 UL E29179

General

Product Family PCB Receptacles
 Series [48325](#)
 Application Board-to-Board
 Comments Screw and Clip version
 Overview [Slimline Serial ATA ODD Connectors](#)
 Product Name Serial ATA, Slimline Serial ATA

Physical

Circuits (Loaded) 13
 Circuits (maximum) 13
 Color - Resin Black
 Durability (mating cycles max) 500
 Flammability 94V-0
 Glow-Wire Compliant No
 Guide to Mating Part Yes
 Keying to Mating Part Yes
 Lock to Mating Part No
 Material - Metal Copper Alloy
 Material - Plating Mating Gold
 Material - Plating Termination Tin
 Material - Resin High Temperature Thermoplastic
 Number of Rows 1
 Orientation Right Angle
 PCB Locator Yes
 PCB Retention Yes
 PCB Thickness Recommended (in) 0.047 In
 PCB Thickness Recommended (mm) 1.20 mm
 Packaging Type Embossed Tape on Reel
 Pitch - Mating Interface (in) 0.039 In, 0.050 In
 Pitch - Mating Interface (mm) 1.00 mm, 1.27 mm
 Pitch - Term. Interface (in) 0.039 In, 0.050 In
 Pitch - Term. Interface (mm) 1.00 mm, 1.27 mm
 Plating min: Mating (µin) 15
 Plating min: Mating (µm) 0.38
 Plating min: Termination (µin) 100
 Plating min: Termination (µm) 2.54
 Polarized to Mating Part Yes
 Polarized to PCB Yes
 Robotic Placement Pick and Place Cap
 Stackable No

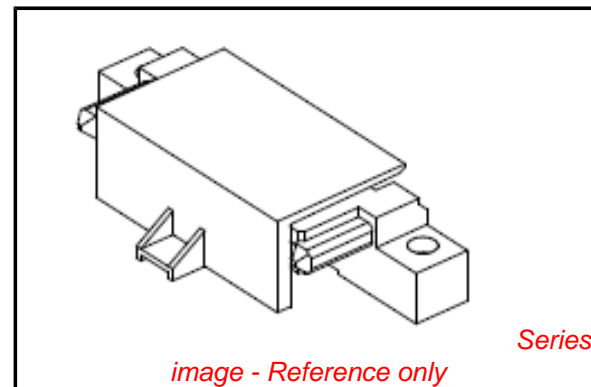


image - Reference only

EU RoHS

**ELV and RoHS
 Compliant**
**REACH SVHC
 Not Reviewed**
**Halogen-Free
 Status
 Not Reviewed**

China RoHS



**Need more information on product
 environmental compliance?**

Email productcompliance@molex.com
 For a multiple part number RoHS Certificate of Compliance, [click here](#)

Please visit the [Contact Us](#) section for any non-product compliance questions.

Search Parts in this Series

[48325Series](#)

Mates With

[473001xxx Slimline Serial ATA Plugs](#)

Surface Mount Compatible (SMC)	Yes
Temperature Range - Operating	-40°C to +85°C
Termination Interface: Style	Through Hole

Electrical

Current - Maximum per Contact	1A
Grounding to PCB	Yes
Voltage - Maximum	15V (RMS)

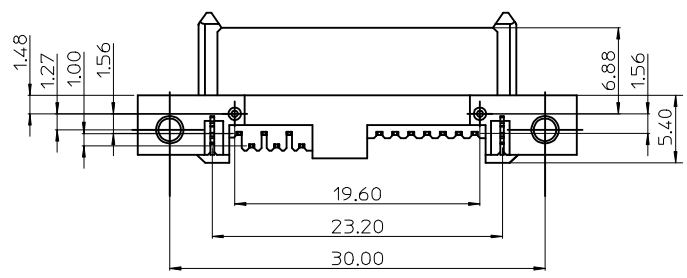
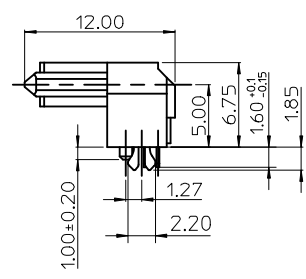
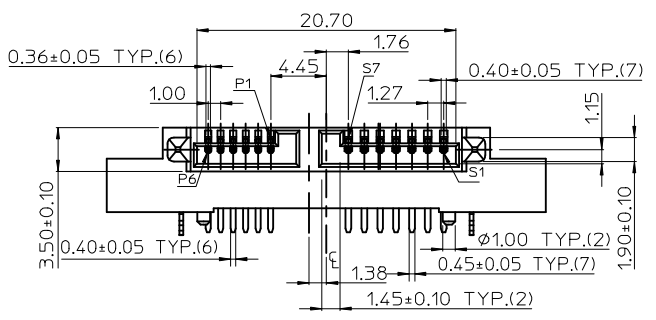
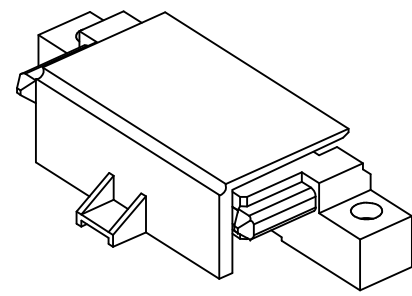
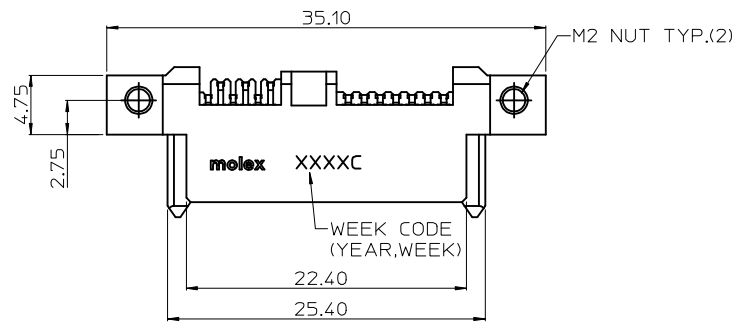
Material Info**Reference - Drawing Numbers**

Product Specification	PS-48321-001
Sales Drawing	SD-48325-002

This document was generated on 04/14/2010

PLEASE CHECK WWW.MOLEX.COM FOR LATEST PART INFORMATION

7 6 5 4 3 2 1



MODIFY THE CAP EC NO: SH2009-0659 DRWN:FYANG05 CHKD:RZHANG APPR:HMWANG	DESCRIPTION 2009/04/29 2009/04/29 2009/06/09	QUALITY SYMBOLS	GENERAL TOLERANCES (UNLESS SPECIFIED)		DIMENSION STYLE MM ONLY		SCALE	DESIGN UNITS METRIC	THIRD ANGLE PROJECTION	
		$\nabla=0$ $\sphericalangle=0$	mm	INCH	DRAWN BY	DATE	TITLE SLIMLINE SATA RECEPTACLE REVERSE RIGHT ANGLE WITH SCREW AND CLIP			
		4 PLACES ± --- ± ---	3 PLACES ± --- ± ---	LINDA	2008/01/04					
			2 PLACES ± 0.25 ± ---	2 PLACES ± 0.25 ± ---	CHECKED BY	DATE	MOLEX INCORPORATED			
			1 PLACE ± 0.25 ± ---	1 PLACE ± 0.25 ± ---	ALLEN LIN	2008/01/07				
	ANGULAR ± 3 °	DRAFT WHERE APPLICABLE MUST REMAIN WITHIN DIMENSIONS		MATERIAL NO. SEE SHEET 2		DOCUMENT NO. SD-48325-002		SHEET NO. 1 OF 2		

6 5 4 3 2 1

7

6

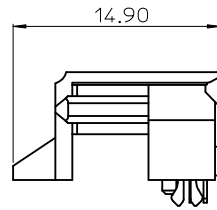
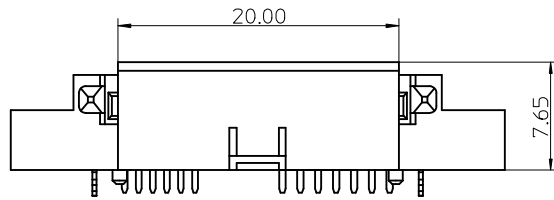
5

4

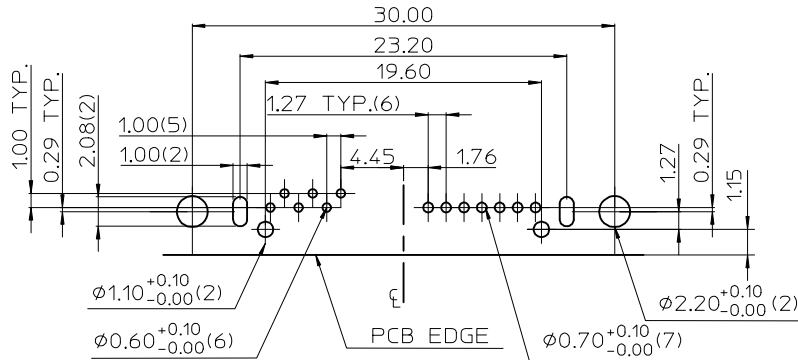
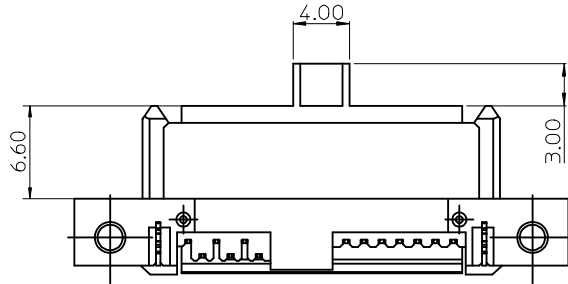
3

2

1



P/N	PLATING OPTIONS	WITHSTANDING MFG TEST
48325-1101	GOLD FLASH	NO
48325-1102	15 MICROINCH	NO
48325-1103	30 MICROINCH	YES



RECOMMENDED PC BOARD LAYOUT
TOLERANCE:±0.05mm(TOP VIEW)

NOTES:

- MATERIAL:
HOUSING & CAP : LIQUID CRYSTAL POLYMER, GLASS FIBER FILLED, UL94V-0, COLOR : BLACK.
TERMINAL : COPPER ALLOY.
NUT : ZINC ALLOY.
CLIP : COPPER ALLOY.
- PLATING:
TERMINAL:
CONTACT AREA : SEE TABLE
SOLDER TAIL : MATTE TIN PLATED, THICKNESS=100 MICROINCH MIN/2.54 MICROMETER MIN.
UNDER PLATE : NICKEL(Ni) PLATED OVERALL.
NUT : NICKEL(Ni) PLATED, THICKNESS=50 MICROINCH MIN/1.27 MICROMETER MIN.
UNDER PLATE : COPPER(Cu) PLATED OVERALL.
CLIP : TIN(Sn) PLATED, THICKNESS=100 MICROINCH MIN/2.54 MICROMETER MIN OVER NICKEL PLATED.
- MATES WITH : SERIES 47300.
- RECOMMENDED PCB THICKNESS:1.20±0.05mm.
- PRODUCT SPECIFICATION REFER TO PS-48321-001.
- TEST SUMMARY REFER TO TS-48325-001.
- PACKAGING SPECIFICATION REFER TO PK-48325-002.
- LEAD FREE & RoHS COMPLIANT PRODUCT.

MODIFY THE CAP EC NO: SH2009-0659 DRWN:FYANG05 2009/04/29 CHKD:RZHANG 2009/04/29 APPR:HWANG 2009/06/09	DESCRIPTION B	QUALITY SYMBOLS 	GENERAL TOLERANCES (UNLESS SPECIFIED)		DIMENSION STYLE MM ONLY		SCALE 1:1	DESIGN UNITS METRIC	THIRD ANGLE PROJECTION		
			mm	INCH	DRAWN BY LINDA	DATE 2008/01/04	TITLE SLIMLINE SATA RECEPTACLE REVERSE RIGHT ANGLE WITH SCREW AND CLIP				
			4 PLACES ± ---	± ---	CHECKED BY ALLEN LIN	DATE 2008/01/07					
			3 PLACES ± ---	± ---	APPROVED BY ERICK LAN		DATE 2008/01/07	MOLEX INCORPORATED DOCUMENT NO. SD-48325-002 SHEET NO. 2 OF 2			
2 PLACES ± 0.25	± ---	MATERIAL NO.									
1 PLACE ± 0.25	± ---	ANGULAR ± 3 °		SEE THE TABLE		THIS DRAWING CONTAINS INFORMATION THAT IS PROPRIETARY TO MOLEX INCORPORATED AND SHOULD NOT BE USED WITHOUT WRITTEN PERMISSION					
DRAFT WHERE APPLICABLE MUST REMAIN WITHIN DIMENSIONS											

6

5

4

3

2

1