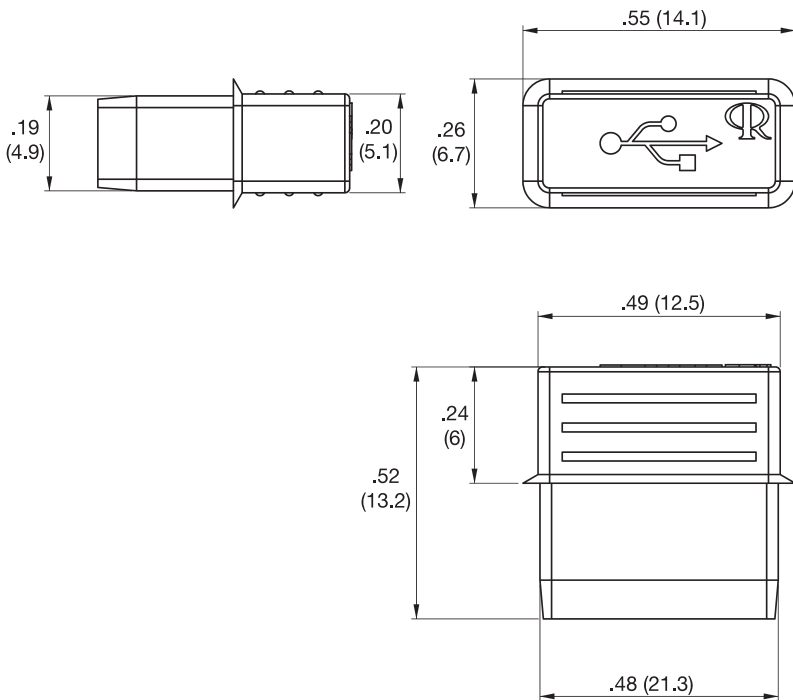


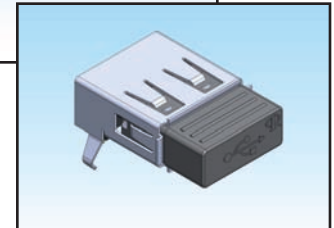
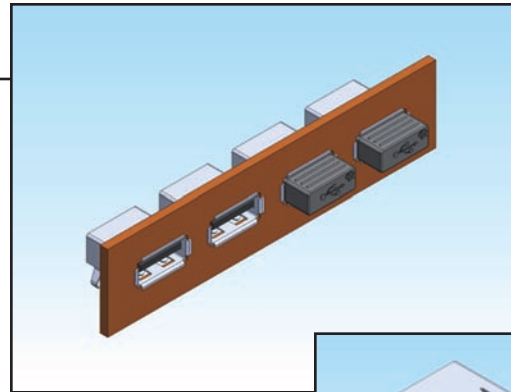
Introducing the *CP-USB-A* USB Connector Plug

Features and Benefits

- Plug developed for industry standard USB connectors
- No stress applied to the connectors internal components upon entry
- Flange feature for added dust protection
- Protects connector from dust and debris



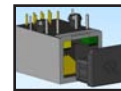
Material: Silicone Rubber, RMS-383; Color: Black	
Standard Pack: 1,000 per bag	
Part No.	CP-USB-A



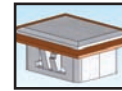
Markets

- Telecommunications
- Fiber to the home
- Consumer Electronics

Other Related Richco Product Solutions



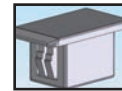
CP-RJ45



BPE-RJ45



BPE-LC



BPE-SC