

PLEASE CHECK WWW.MOLEX.COM FOR LATEST PART INFORMATION

Part Number: [0351830411](#)
Status: **Planned for Obsolescence**
Description: 8.00/10.00mm (.315/.394") Pitch, 2.36 Dia. Pin Housing, 4 Circuits

Documents:

[3D Model](#) [Product Specification PS-35183-001 \(PDF\)](#)
[Drawing \(PDF\)](#) [RoHS Certificate of Compliance \(PDF\)](#)

Agency Certification

CSA LR19980
 UL E29179

General

Product Family Crimp Housings
 Series [35183](#)
 Product Name N/A

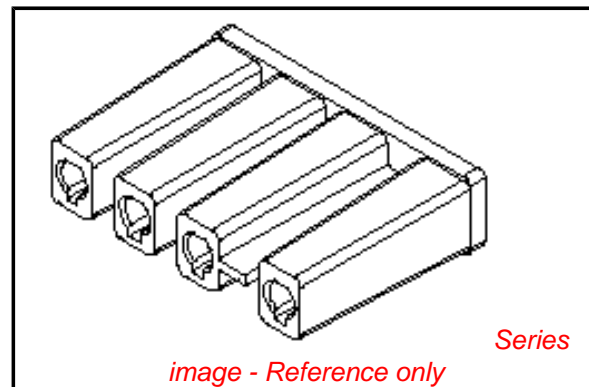
Physical

Circuits (maximum) 4
 Flammability 94V-0
 Gender Female
 Glow-Wire Compliant No
 Number of Rows 1
 Packaging Type Bag
 Panel Mount No
 Pitch - Mating Interface (in) 0.315 In, 0.394 In
 Pitch - Mating Interface (mm) 10.00 mm, 8.00 mm
 Temperature Range - Operating -25°C to +85°C

Material Info

Reference - Drawing Numbers

Product Specification PS-35183-001
 Sales Drawing SD-35183-041



EU RoHS

**ELV and RoHS
 Compliant**
REACH SVHC
 Not Reviewed
**Halogen-Free
 Status**

China RoHS



**Need more information on product
 environmental compliance?**

Email productcompliance@molex.com
 For a multiple part number RoHS Certificate of
 Compliance, [click here](#)

Please visit the [Contact Us](#) section for any
 non-product compliance questions.

Search Parts in this Series
[35183Series](#)

Mates With
[35309](#)

Use With
[35716](#)

DO NOT SCALE DRAWING DIMENSION IN METRIC

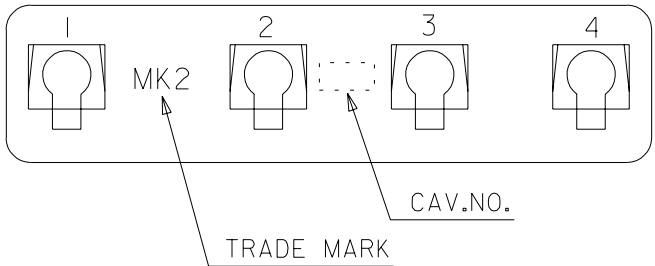
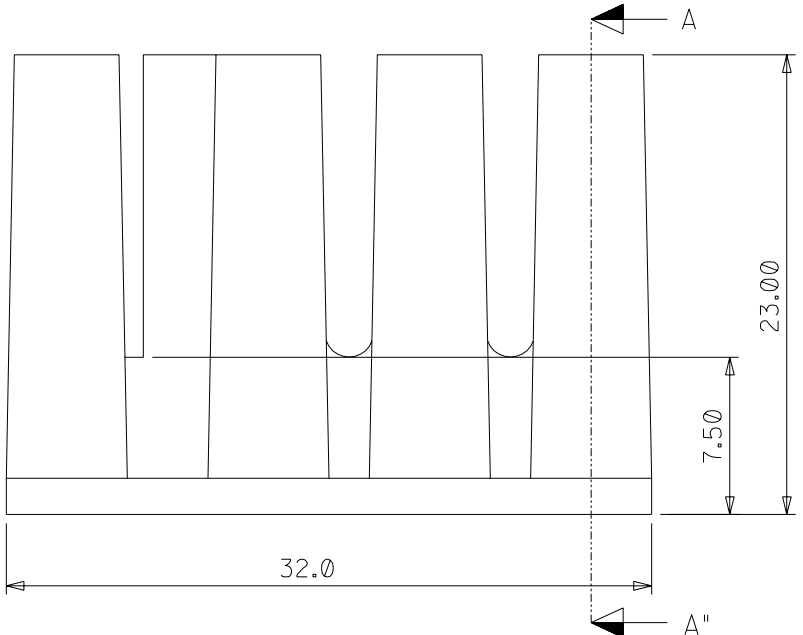
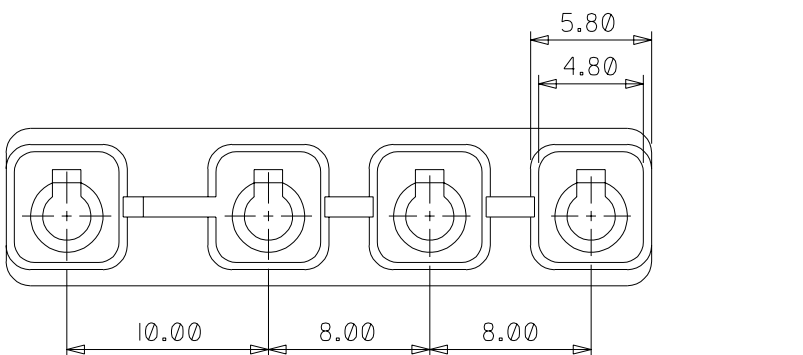
SIMILAR ITEM

PROJECT NO.

C

B

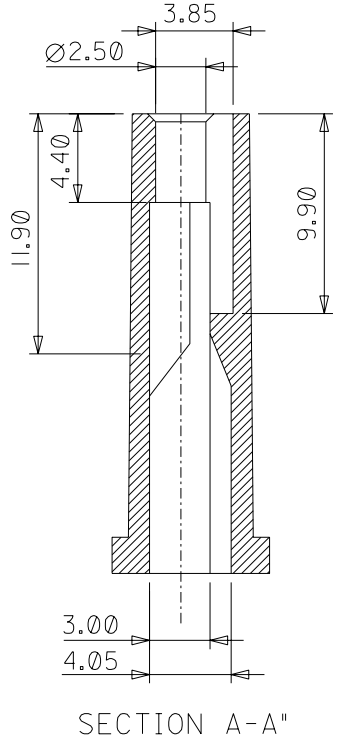
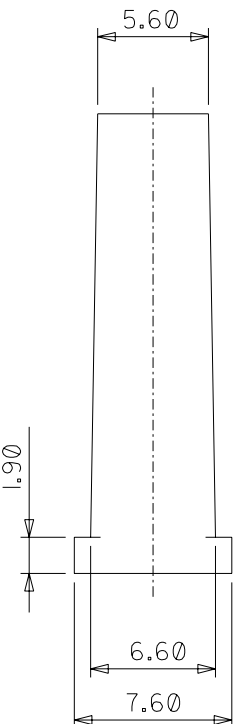
DWG. NO. SD-35183-041



MATERIAL NO.	ENG NO.	MATERIAL	COLOR
351830411	35183-0411	NORYL,UL94V-0	BLACK
351830417	35183-0417	NORYL,UL94V-I	GRAY

NOTES

- APPLICABLE TERMINALS: 35716-0110, 35716-0310, 35716-0190, 35716-0193
- MATED WAFER ASSEMBLY: 35309-0410



SECTION A-A'

REVISED EC NO. KOR2002-0151 DRWN: C.B.CHIN 02/06/07 CHK: W.Y.YNAG APPR: C.W.LEE	DESCRIPTION	QUALITY SYMBOLS	GENERAL TOLERANCES: (UNLESS SPECIFIED)		SCALE 4:1	DESIGN UNITS <input checked="" type="checkbox"/> mm <input type="checkbox"/> INCH	THIRD ANGLE PROJECTION	DIMENSIONS: <input type="checkbox"/> mm <input type="checkbox"/> INCH <input checked="" type="checkbox"/> mm ONLY		SHT	REV
		MAJOR = 0 CRITICAL = 0	mm	INCH	DRAWN BY & DATE W.Y.YANG 95/01/17	TITLE: 2.36 HOUSING-4P					
C2	REV	4 PLACES	±0.	±.	CHECKED BY & DATE B.K.CHOI 95/01/17		MOLEX INCORPORATED				
		3 PLACES	±0.	±.	APPROVED BY & DATE C.W.LEE 95/01/17		CAD FILENAME S1830417.DGN	MATERIAL NO. SEE CHART	DRAWING NO. SD-35183-041	SHEET NO. 10F1	SIZE B
		ANGULAR: ± °			THIS DRAWING CONTAINS INFORMATION THAT IS PROPRIETARY TO MOLEX INCORPORATED AND SHOULD NOT BE USED WITHOUT WRITTEN PERMISSION.						
		DRAFT WHERE APPLICABLE MUST REMAIN WITHIN DIMENSIONS									