

**PLEASE CHECK WWW.MOLEX.COM FOR LATEST PART INFORMATION**

**Part Number:** [0643241029](#)  
**Status:** **Active**  
**Overview:** [cmc connectors](#)  
**Description:** 2.80mm (.110"), CMC CP Female Terminal, Tin plated, for Tab Dimensions 2.8mm x 0.8mm, Wire Size > 2mm<sup>2</sup> - 3mm<sup>2</sup>

**Documents:**

[3D Model](#) [Product Specification PS-64321-001 \(PDF\)](#)  
[Drawing \(PDF\)](#) [RoHS Certificate of Compliance \(PDF\)](#)  
[Product Specification PS-64318-001 \(PDF\)](#)

**General**

Product Family	Crimp Terminals
Series	64324
Comments	* Current tested on a fully loaded connector, current for temperature increase of 40°C. Current max = 21.0A for 2.8mm Terminal (5.0mm <sup>2</sup> wire)
Crimp Quality Equipment	Yes
Overview	<a href="#">cmc connectors</a>
Product Name	CP Terminal

**Physical**

Durability (mating cycles max)	20
Gender	Female
Material - Metal	High Copper
Material - Plating Mating	Tin
Material - Plating Termination	Tin
Packaging Type	Reel
Plating min: Mating (µin)	40.00
Plating min: Mating (µm)	1.000
Termination Interface: Style	Crimp or Compression
Wire Insulation Diameter	2.65mm-3.45mm
Wire Size AWG	N/A
Wire Size mm <sup>2</sup>	> 2.0 - 3.0

**Electrical**

Current - Maximum per Contact	21A
Voltage - Maximum	250V AC

**Material Info**

**Reference - Drawing Numbers**

Application Specification	AS-64321-001
Packaging Specification	PK-98910-001
Product Specification	PS-64318-001, PS-64321-001
Sales Drawing	SD-64324-001



**EU RoHS**

**ELV and RoHS Compliant**  
**REACH SVHC**  
 Not Reviewed  
**Halogen-Free Status**  
 Not Reviewed

**China RoHS**



**Need more information on product environmental compliance?**

Email [productcompliance@molex.com](mailto:productcompliance@molex.com)  
 For a multiple part number RoHS Certificate of Compliance, [click here](#)

Please visit the [Contact Us](#) section for any non-product compliance questions.

**Search Parts in this Series**

64324Series

**Mates With**

CMC Connector [64318](#) , [64321](#). CMC Wire Seal [64325](#)

**Use With**

CMC Connector [64318](#) , [64321](#). CMC Wire Seal [64325](#)

**Application Tooling | FAQ**

*Tooling specifications and manuals are found by selecting the products below. Crimp Height Specifications are then contained in the Application Tooling Specification document.*

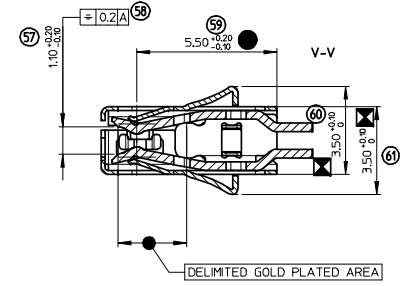
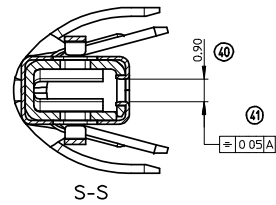
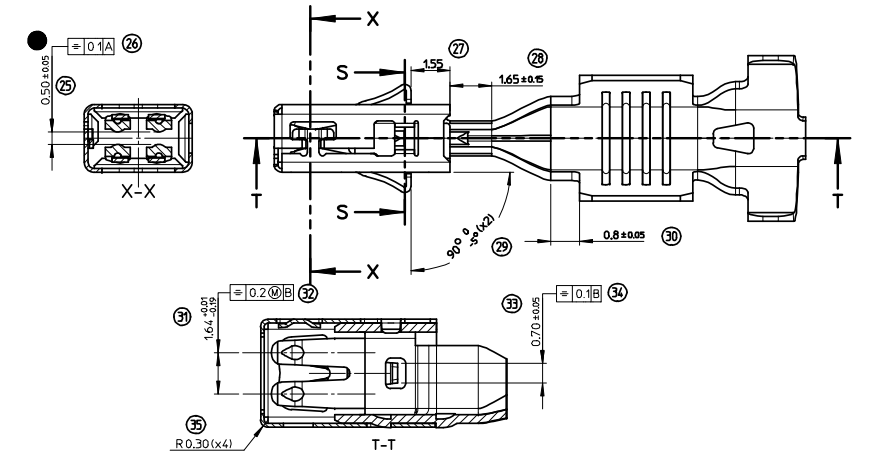
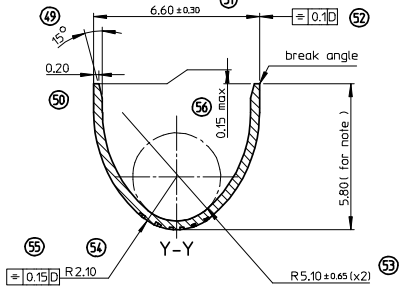
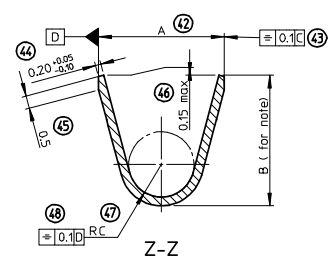
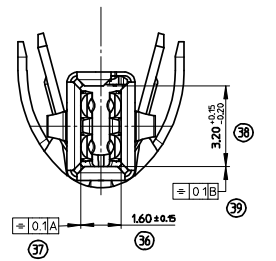
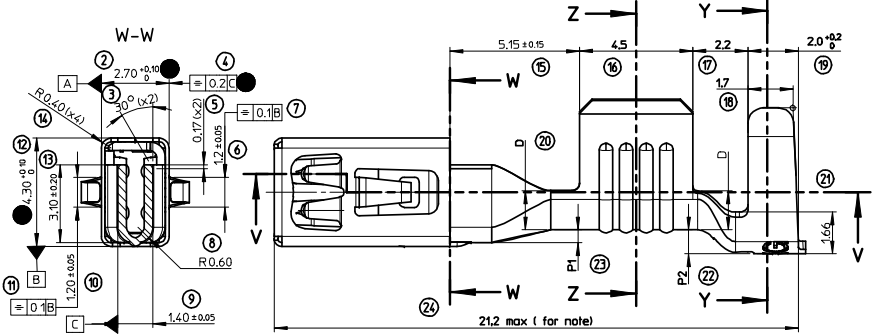
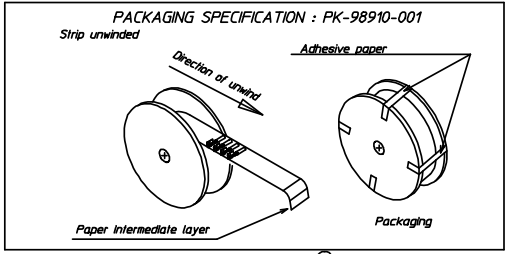
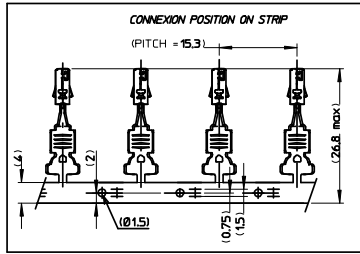
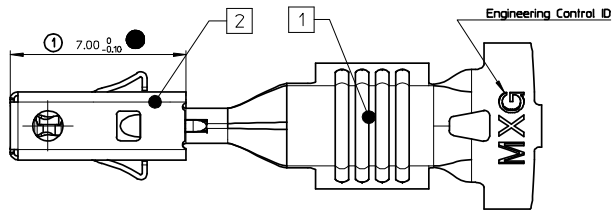
**Global**

Description	Product #
Hand Crimp Tool for CP 2.8 Receptacle for 2.50-3.00mm Type ID and IR Wire with 2.80mm <sup>2</sup>	<a href="#">0638119800</a>

(.110"), CMC Wire	
Seal Receptacle	
Mini-Mac™	<u>0638951000</u>
Applicator CP2.8	
Crimp Terminals	
Extraction Tool	<u>0638132500</u>

This document was generated on 05/19/2010

**PLEASE CHECK [WWW.MOLEX.COM](http://WWW.MOLEX.COM) FOR LATEST PART INFORMATION**

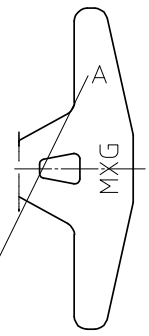


NOTE:  
- CRIMPING SPECIFICATION ACCORDING TO CS-64324-001

2	BOX TERMINAL	STAINLESS STEEL thickness : 0.15 mm
1	BODY TERMINAL	HIGH CONDUCTIVITY COPPER ALLOY thickness : 0.35 mm
MARK	DESIGNATION	MATERIAL

MARK	DESIGNATION	MATERIAL	CONTACT AREA	CRIMPING AREA	UNDERLAYER	CRIMPING RANGE (mm <sup>2</sup> )	A ±0.2	B	rC ±0.1	D ±0.1	P1 ±0.1	P2 ±0.0	WEIGHT (g)	Identification
0643241119	Au 1,27μ MINI	Sn Ni	>3 TO 5	5.0	5.2	1.3	1.55	0.5	0.95	0.4902				D
0643241019	Sn	Sn	>2 TO 3	4.1	4.4	1.0	1.45	0.5	0.95	0.4795				C
0643241029	Sn	Sn	>1 TO 2	4.1	3.5	0.9	1.3	0.85 <sup>+0.1</sup> <sub>-0.2</sub>	1.3 <sup>+0.1</sup> <sub>-0.2</sub>	0.4274				B
0643241039	Sn	Sn	0.50 TO 1	2.8	2.6	0.7	1.1	0.85 <sup>+0.1</sup> <sub>-0.2</sub>	1.3	0.3916				A
0643241149	Au 1,27μ MINI	Sn Ni								0.3815				
0643241049	Sn	Sn												

crimp range identification



(SKC)	COTES CARACTERISTIQUES SPECIALES
(SKC)	SPECIAL KEY CHARACTERISTICS
(SKC)	INDICATION DIMENSIONS S.P.C
(SKC)	INDICATES S.P.C DIMENSIONS
(SKC)	INDICATION DIMENSIONS CRITIQUES
(SKC)	INDICATES CRITICAL DIMENSIONS
(SKC)	INDICATION DIMENSIONS FONCTIONNELLES
(SKC)	INDICATES FUNCTIONAL DIMENSIONS
(SKC)	QUANTITE PAR FEUILLE INDIVIDUELLE
(SKC)	QUANTITY PER INDIVIDUAL SHEET
(SKC)	2 0 6 (SKC) 0

Revised Dwg E.C. NO: 62008-0440 DRWING: JULIO 2008/05/19 CHK: FPAROLARI 2008/05/19 APPR: LSTICKEIR 2008/05/19	GENERAL TOLERANCES (UNLESS SPECIFIED) mm INCH 4 PLACES ± --- ± --- 3 PLACES ± --- ± --- 2 PLACES ± 0.10 ± --- 1 PLACE ± 0.1 ± --- ANGULAR ± 2°	DIMENSION STYLE MM ONLY	SCALE 10:1	DESIGN UNITS METRIC	FIRST ANGLE PROJECTION
	DRAWN BY VGUERIN 2007/11/07	CHECKED BY FPAROLARI 2007/11/07	APPROVED BY LSTICKEIR 2007/11/07	TITLE CP RCPT TRM 2.8	MATERIAL NO. MOLEX INCORPORATED
DRAFT WHERE APPLICABLE MUST REMAIN WITHIN DIMENSIONS		SEE CHART	THIS DRAWING CONTAINS INFORMATION THAT IS PROPRIETARY TO MOLEX INCORPORATED AND SHOULD NOT BE USED WITHOUT WRITTEN PERMISSION		