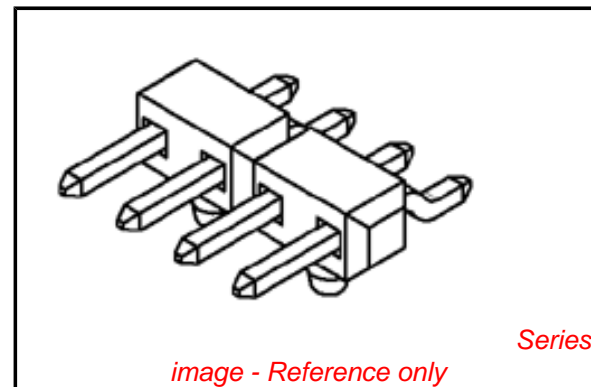


**PLEASE CHECK WWW.MOLEX.COM FOR LATEST PART INFORMATION**

**Part Number:** **0878580460**  
**Status:** **Active**  
**Overview:** milligrd  
**Description:** 2.00mm (.079") Pitch Milli-Grid™ Breakaway Header, Surface Mount, Single Row, Vertical, without Peg, with Kapton Tape, Tape on Reel Packaging, Mating Pin Length 4.17mm (.164"), 4 Circuits, Lead-free

**Documents:**

[Drawing \(PDF\)](#) [RoHS Certificate of Compliance \(PDF\)](#)  
[Product Specification PS-87761-100 \(PDF\)](#)



**General**

Product Family	PCB Headers
Series	87858
Application	Wire-to-Board
Overview	milligrd
Product Name	Milli-Grid™

**Physical**

Breakaway	Yes
Circuits (Loaded)	4
Circuits (maximum)	4
Color - Resin	Black
First Mate / Last Break	No
Glow-Wire Compliant	No
Guide to Mating Part	No
Keying to Mating Part	None
Lock to Mating Part	None
Mated Height (in)	0.164 In
Mated Height (mm)	4.17 mm
Material - Metal	Copper Alloy
Material - Plating Mating	Tin
Material - Plating Termination	Nickel
Material - Resin	High Temperature Thermoplastic
Number of Rows	1
Orientation	Parallel
PC Tail Length (in)	0.110 In
PC Tail Length (mm)	2.80 mm
PCB Locator	Yes
PCB Retention	None
PCB Thickness Recommended (in)	0.063 In
PCB Thickness Recommended (mm)	1.60 mm
Packaging Type	Embossed Tape on Reel
Pitch - Mating Interface (in)	0.079 In
Pitch - Mating Interface (mm)	2.00 mm
Pitch - Term. Interface (in)	0.079 In
Pitch - Term. Interface (mm)	2.00 mm
Plating min: Mating (µin)	100
Plating min: Mating (µm)	2.54
Polarized to Mating Part	No
Polarized to PCB	Yes
Shrouded	No
Stackable	No
Temperature Range - Operating	-55°C to +105°C
Termination Interface: Style	Surface Mount

**EU RoHS**

**ELV and RoHS Compliant**  
**REACH SVHC**  
 Not Reviewed  
**Halogen-Free Status**

**China RoHS**



**Not Reviewed**

**Need more information on product environmental compliance?**

Email [productcompliance@molex.com](mailto:productcompliance@molex.com)  
 For a multiple part number RoHS Certificate of Compliance, [click here](#)

Please visit the [Contact Us](#) section for any non-product compliance questions.

**Search Parts in this Series**

87858Series

**Mates With**

2.00 mm (.079") single row receptacles

**Electrical**

Current - Maximum per Contact	2A
Voltage - Maximum	125V

**Solder Process Data**

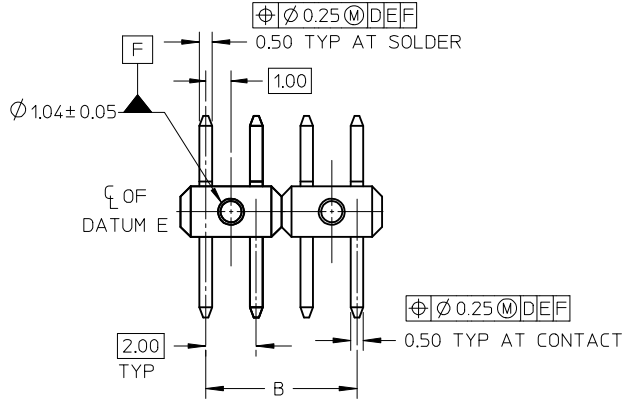
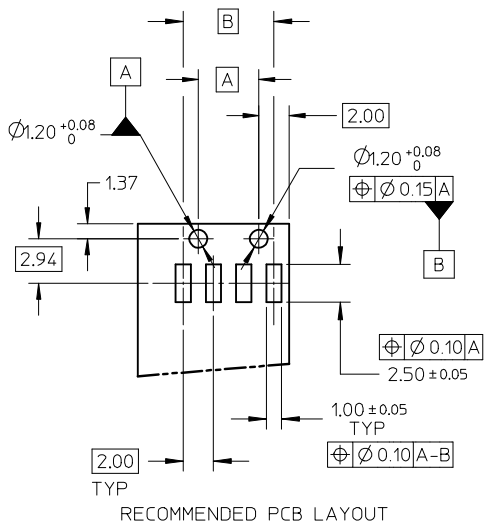
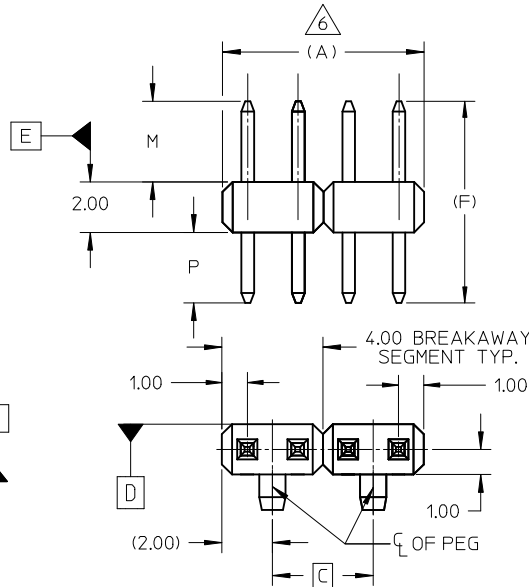
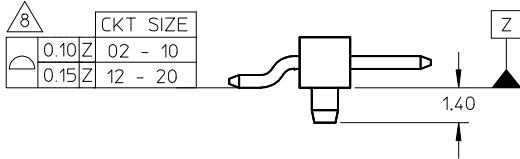
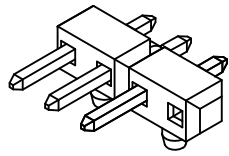
Duration at Max. Process Temperature (seconds)	10
Lead-free Process Capability	Reflow Capable (SMT only)
Max. Cycles at Max. Process Temperature	3
Process Temperature max. C	260

**Material Info****Reference - Drawing Numbers**

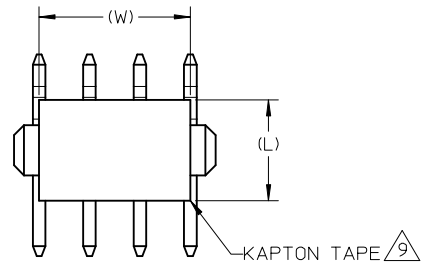
Product Specification	PS-87761-100
Sales Drawing	SD-87858-001

This document was generated on 05/25/2010

**PLEASE CHECK [WWW.MOLEX.COM](http://WWW.MOLEX.COM) FOR LATEST PART INFORMATION**



- NOTES:
- MATERIAL:  
HSG: LCP, GLASS-FILLED, UL94V-0, COLOR:BLACK  
PIN: 0.50mm SQ, COPPER ALLOY
  - PLATING:  
(1) 2.540µm TIN OVERALL PLATING OVER NICKEL OVERALL  
(2) 5.080µm TIN OVERALL PLATING OVER NICKEL OVERALL
  - PACKAGING TYPE: SEE TABLE
  - PACKAGING SPECIFICATION:  
TRAY: PK-89990-487  
TAPE & REEL: PK-89990-484
  - PRODUCT SPEC PS-87761-100 APPLIES
  - IRREGULAR CIRCUIT CUTOFF WITHIN BREAKAWAY SECTION IS PERMISSIBLE. MEASUREMENT AT BOTH ENDS, FROM CUT END TO THE CENTRELINE OF THE HOUSING CORE HOLE OF THE FIRST PIN REMAINS AT 1.00±0.20MM. CUTTING AND CHIPPING OF THE MAIN BODY IS NOT ACCEPTABLE.
  - THE ABOVE CKT 4 IS FOR ILLUSTRATION PURPOSE ONLY
  - COPLANARITY IS TO BE MEASURED BY RESTING THE SOLDER TAIL ON A GAUGE SURFACE
  - KAPTON TAPE LOCATION IS CENTERED ALONG THE PART AS SHOWN.
  - RECOMMENDED PCB BOARD THICKNESS: 1.60±0.10mm



ADD DIMENSIONS EC NO: S2009-0295 DRW: N/AT/SEE CHKD: SKANG APPR: M/LONG 2009/02/09 2009/02/10 2009/02/11	QUALITY SYMBOLS ▽=0 ◻=0	GENERAL TOLERANCES (UNLESS SPECIFIED) mm INCH 4 PLACES ± --- ± --- 3 PLACES ± --- ± --- 2 PLACES ± 0.2 ± --- 1 PLACE ± --- ± --- ANGULAR ± 3 °	DIMENSION STYLE MM ONLY DRAWN BY DATE KSEE 2003/11/14 CHECKED BY DATE KCL ING 2003/12/15 APPROVED BY DATE PTL IM 2003/12/15	SCALE NTS DESIGN UNITS METRIC	THIRD ANGLE PROJECTION
	CUSTOM HEADER 2MM SINGLE ROW HDR IN SMT WITH PEG, BREAKAWAY				
	MOLEX INCORPORATED MATERIAL NO. SEE TABLE DOCUMENT NO. SD-87858-001 SHEET NO. 1 OF 3				
	DRAFT WHERE APPLICABLE MUST REMAIN WITHIN DIMENSIONS SIZE A3 THIS DRAWING CONTAINS INFORMATION THAT IS PROPRIETARY TO MOLEX INCORPORATED AND SHOULD NOT BE USED WITHOUT WRITTEN PERMISSION				

10 9 8 7 6 5 4 3 2 1

CKT SIZE	DIMENSION		
	A	B	C
02	4.00	2.00	-
04	8.00	6.00	4.00
06	12.00	10.00	8.00
08	16.00	14.00	12.00
10	20.00	18.00	16.00
12	24.00	22.00	20.00
14	28.00	26.00	24.00
16	32.00	30.00	28.00
18	36.00	34.00	32.00
20	40.00	38.00	36.00

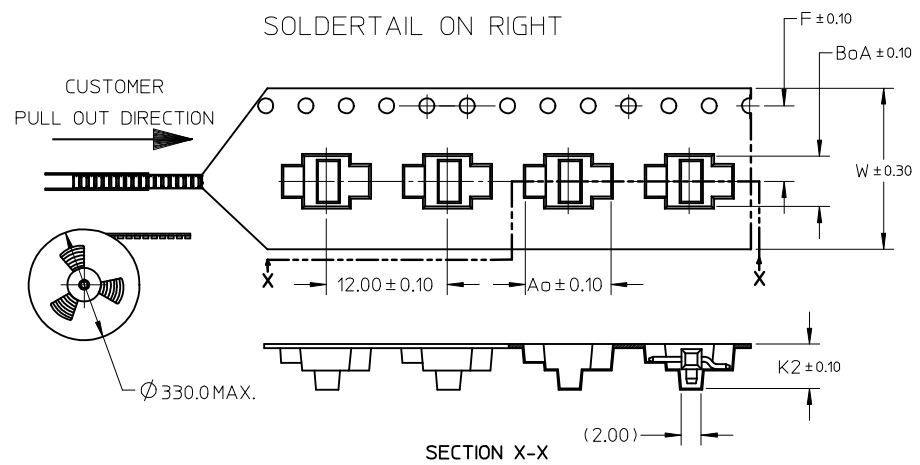
PART NO. IN TAPE & REEL PACKAGING	PART NO. IN TRAY PACKAGING	CKT SIZE	PEG	PLATE OPT.	VOID POSITION	KAPTON TAPE	DIMENSION				PACKAGING TYPE	
							F	MATING END	SOLDER TAIL	KAPTON TAPE		
								M	P	W		L
-	87858-0002	2	Y	1	----	N	8.00	3.20	2.80	-	-	-
87858-0250	-	2	N	1	----	Y	8.00	3.20	2.80	4.00	3.00	T1
87858-0003	-	2	Y	1	----	N	10.80	6.00	2.80	-	-	T2
-	87858-0004	4	Y	1	----	N	8.00	3.20	2.80	-	-	-
87858-0450	-	4	N	1	----	Y	8.00	3.20	2.80	4.00	4.00	T1
87858-0460	-	4	N	1	----	Y	8.97	4.17	2.80	4.00	4.00	T1

ADD DIMENSIONS EC NO: S2009-0295 DRWN:ATSEE CHKD:SKANG APPR:MLONG	2009/02/09 2009/02/10 2009/02/11	DESCRIPTION REV	QUALITY SYMBOLS	GENERAL TOLERANCES (UNLESS SPECIFIED)	DIMENSION STYLE	SCALE	DESIGN UNITS	THIRD ANGLE PROJECTION	
			$\nabla = 0$ $\square = 0$	mm    INCH	MM ONLY	NTS	METRIC	DRAWN BY: KSEE    DATE: 2003/11/14 CHECKED BY: KCLING    DATE: 2003/12/15 APPROVED BY: PTLIM    DATE: 2003/12/15	TITLE
				4 PLACES ± --- ± --- 3 PLACES ± --- ± --- 2 PLACES ± 0.2 ± --- 1 PLACE ± --- ± --- ANGULAR ± 3 °	SEE TABLE	CUSTOM HEADER 2MM SINGLE ROW HDR IN SMT WITH PEG, BREAKAWAY MOLEX INCORPORATED			
			DRAFT WHERE APPLICABLE MUST REMAIN WITHIN DIMENSIONS	MATERIAL NO. SEE TABLE	DOCUMENT NO. SD-87858-001	SHEET NO. 2 OF 3			

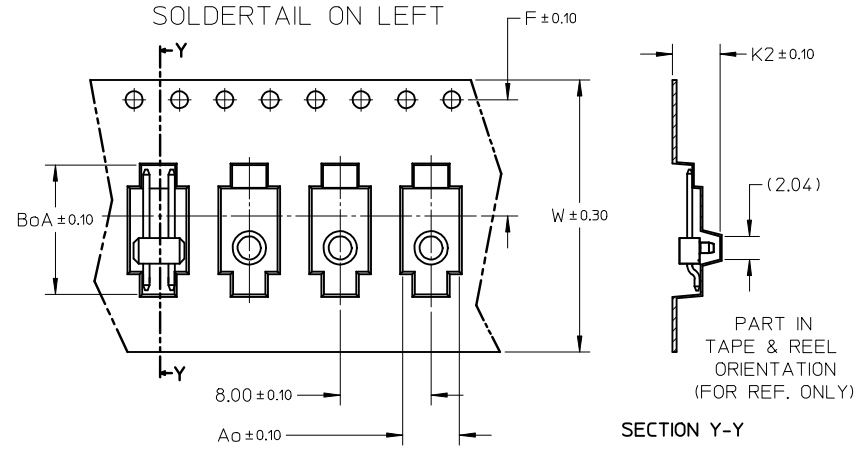
9 8 7 6 5 4 3 2 1

PACKAGING TYPE	CKT	DIMENSION					PACKABLE QTY
		BoA	Ao	K2	F	W	
T1	2	5.00	8.50	4.40	7.50	16.00	1200
	4	9.00	8.50	4.40	11.50	16.00	1200
T2	2	11.40	5.00	4.20	11.50	24.00	2000

TYPE T1 PACKAGING  
SOLDERTAIL ON RIGHT



TYPE T2 PACKAGING  
SOLDERTAIL ON LEFT



NOTES:

- LEADER AND TRAILER TAPE
- PEELING OFF FORCE OF THE TOP TAPE: 20-80gf.  
 (PEELING DIRECTION AS SHOWN IN FOLLOWING FIGURE)
- MATERIAL: BLACK P.S CONDUCTIVE, THICKNESS 0.40±0.10.
- PACKAGING STANDARD IS AS PER EIA-481.
- THE TAPE IS TREATED FOR ANTI-STATIC.

ADD DIMENSIONS EC NO: S2009-0295 DRW: NAI SEE CHK: DSKANG APPR: MLONG 2009/02/09 2009/02/10 2009/02/11	QUALITY SYMBOLS	GENERAL TOLERANCES (UNLESS SPECIFIED)	DIMENSION STYLE	SCALE	DESIGN UNITS	THIRD ANGLE PROJECTION																				
	$\nabla=0$ $\square=0$	<table border="1"> <thead> <tr> <th></th> <th>mm</th> <th>INCH</th> </tr> </thead> <tbody> <tr> <td>4 PLACES</td> <td>± ---</td> <td>± ---</td> </tr> <tr> <td>3 PLACES</td> <td>± ---</td> <td>± ---</td> </tr> <tr> <td>2 PLACES</td> <td>± 0.2</td> <td>± ---</td> </tr> <tr> <td>1 PLACE</td> <td>± ---</td> <td>± ---</td> </tr> </tbody> </table>		mm	INCH	4 PLACES	± ---	± ---	3 PLACES	± ---	± ---	2 PLACES	± 0.2	± ---	1 PLACE	± ---	± ---	MM ONLY	NTS	METRIC						
		mm	INCH																							
	4 PLACES	± ---	± ---																							
3 PLACES	± ---	± ---																								
2 PLACES	± 0.2	± ---																								
1 PLACE	± ---	± ---																								
DESCRIPTION	<table border="1"> <thead> <tr> <th>DRAWN BY</th> <th>DATE</th> <th>TITLE</th> </tr> </thead> <tbody> <tr> <td>KSEE</td> <td>2003/11/14</td> <td rowspan="3">CUSTOM HEADER 2MM SINGLE ROW HDR IN SMT WITH PEG, BREAKAWAY</td> </tr> <tr> <td>CHECKED BY</td> <td>DATE</td> </tr> <tr> <td>APPROVED BY</td> <td>DATE</td> </tr> <tr> <td></td> <td>PTL IM</td> <td>2003/12/15</td> <td rowspan="2">  MOLEX INCORPORATED         </td> </tr> <tr> <td>MATERIAL NO.</td> <td>SEE TABLE</td> <td>DOCUMENT NO.</td> <td>SD-87858-001</td> </tr> <tr> <td>REV</td> <td>3</td> <td>DRAFT WHERE APPLICABLE MUST REMAIN WITHIN DIMENSIONS</td> <td>SIZE A3</td> <td colspan="3">THIS DRAWING CONTAINS INFORMATION THAT IS PROPRIETARY TO MOLEX INCORPORATED AND SHOULD NOT BE USED WITHOUT WRITTEN PERMISSION</td> </tr> </tbody></table>	DRAWN BY	DATE	TITLE	KSEE	2003/11/14	CUSTOM HEADER 2MM SINGLE ROW HDR IN SMT WITH PEG, BREAKAWAY	CHECKED BY	DATE	APPROVED BY	DATE		PTL IM	2003/12/15	MOLEX INCORPORATED	MATERIAL NO.	SEE TABLE	DOCUMENT NO.	SD-87858-001	REV	3	DRAFT WHERE APPLICABLE MUST REMAIN WITHIN DIMENSIONS	SIZE A3	THIS DRAWING CONTAINS INFORMATION THAT IS PROPRIETARY TO MOLEX INCORPORATED AND SHOULD NOT BE USED WITHOUT WRITTEN PERMISSION		
DRAWN BY	DATE	TITLE																								
KSEE	2003/11/14	CUSTOM HEADER 2MM SINGLE ROW HDR IN SMT WITH PEG, BREAKAWAY																								
CHECKED BY	DATE																									
APPROVED BY	DATE																									
	PTL IM	2003/12/15	MOLEX INCORPORATED																							
MATERIAL NO.	SEE TABLE	DOCUMENT NO.		SD-87858-001																						
REV	3	DRAFT WHERE APPLICABLE MUST REMAIN WITHIN DIMENSIONS	SIZE A3	THIS DRAWING CONTAINS INFORMATION THAT IS PROPRIETARY TO MOLEX INCORPORATED AND SHOULD NOT BE USED WITHOUT WRITTEN PERMISSION																						