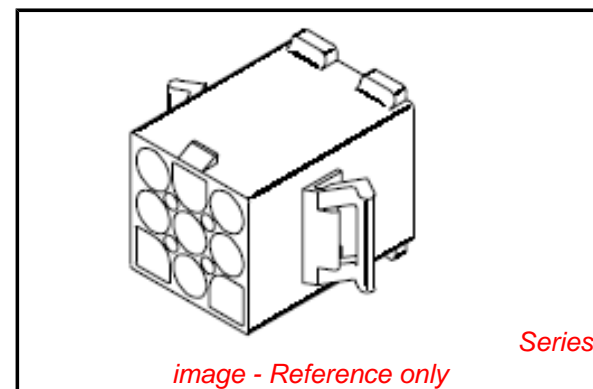


PLEASE CHECK WWW.MOLEX.COM FOR LATEST PART INFORMATION

Part Number: [0039036092](#)
Status: **Active**
Overview: [standard_093](#)
Description: 2.36mm (.093") Diameter Standard .093" Pin and Socket Plug Housing With Positive Latch, UL 94V-2, 9 Circuits

Documents:

3D Model	Product Specification PS-3191-005 (PDF)
Drawing (PDF)	RoHS Certificate of Compliance (PDF)
Product Specification PS-3191-001 (PDF)	



Agency Certification

CSA	LR19980
TUV	R72081037
UL	E29179

General

Product Family	Crimp Housings
Series	3191
Comments	Polarized to Mating Part
Overview	standard_093
Product Name	Standard .093"

Physical

Breakaway	No
Circuits (maximum)	9
Circuits Detail	3x3
Color - Resin	Natural
Flammability	94V-2
Gender	Dual
Glow-Wire Compliant	No
Keying to Mating Part	None
Lock to Mating Part	Yes
Material - Resin	Nylon
Number of Rows	3
Packaging Type	Bag
Panel Mount	No
Pitch - Mating Interface (in)	0.264 In
Pitch - Mating Interface (mm)	6.71 mm
Polarized to Mating Part	Yes
Stackable	No
Temperature Range - Operating	-40°C to +105°C

Electrical

Current - Maximum per Contact	8A
-------------------------------	----

Material Info

Old Part Number	3191-09P1
-----------------	-----------

Reference - Drawing Numbers

Packaging Specification	SPK-3191-001
Product Specification	PS-3191-001, PS-3191-005, RPS-3191-001
Sales Drawing	SD-3191-09P1-*

EU RoHS

ELV and RoHS Compliant
REACH SVHC Contains SVHC: No
Halogen-Free
Status Not Reviewed

China RoHS



Need more information on product environmental compliance?

Email productcompliance@molex.com
 For a multiple part number RoHS Certificate of Compliance, [click here](#)

Please visit the [Contact Us](#) section for any non-product compliance questions.

Search Parts in this Series

[3191Series](#)

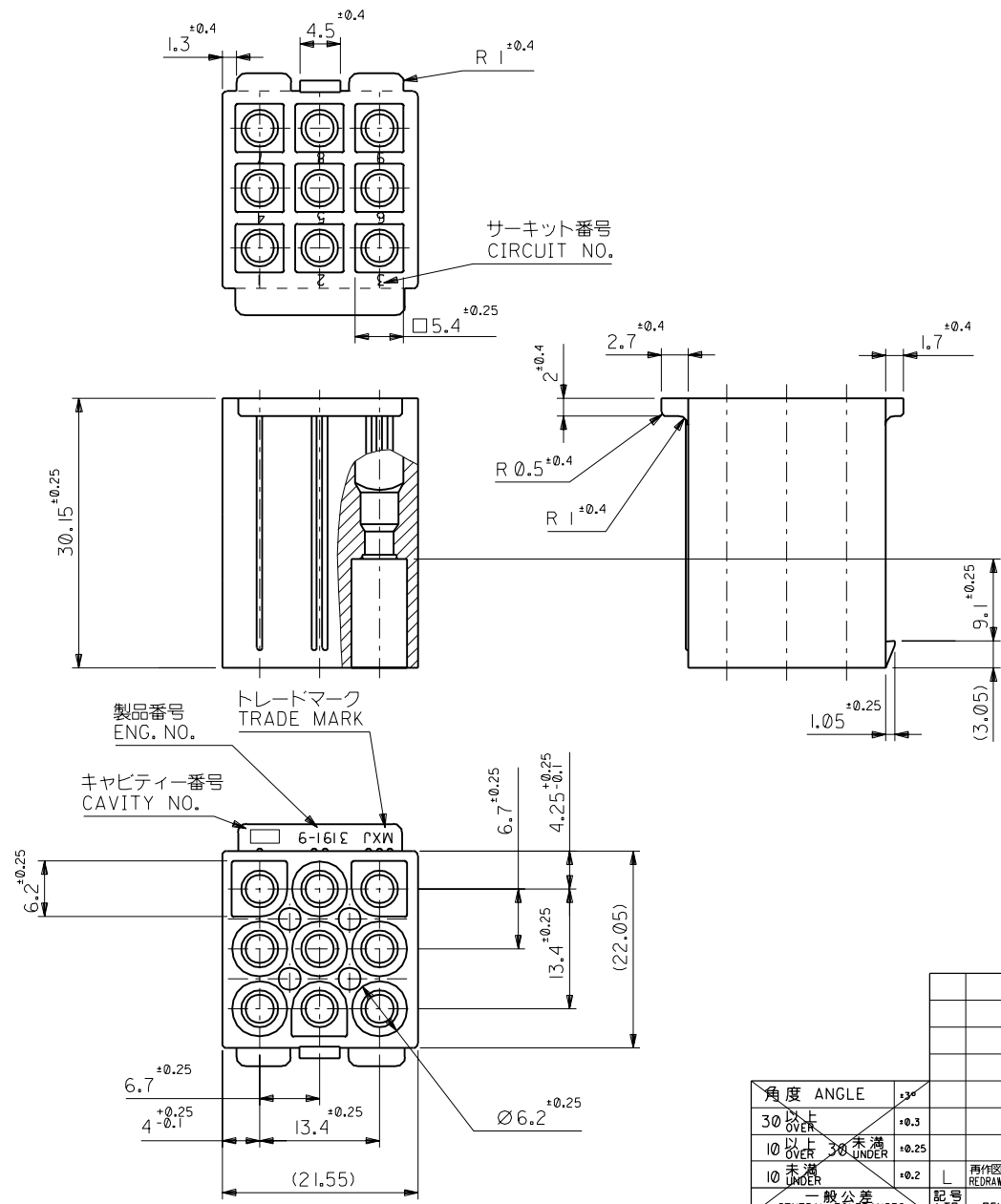
Mates With

[3191](#) Pin and Socket Rectacle, [5219](#) Vertical PCB Header

Use With

[1189](#) Crimp Terminals, [1190](#) Crimp Terminals, [1380](#) Male Crimp Terminals, [1381](#) Female Crimp Terminals, [1433](#) Crimp Terminals, [1434](#) Male Crimp Terminals, [2605](#) , [2606](#) , [1973](#) , [2151](#) , [2273](#) , [2870](#) , [2871](#) , [4272](#) , Lin

PLEASE CHECK WWW.MOLEX.COM FOR LATEST PART INFORMATION



注記
NOTE
() 内寸法は参考値
DIMENSIONS IN () ARE REFERENCE

39-03-6093	3191-09PI-201	NYLON66	94V-0
39-03-6092	3191-09PI	NYLON66	94V-2
EDP. NO.	ENG. NO.	MATERIAL	UL

材料 MATERIAL	表参照 SEE CHART
仕上げ FINISH	—
適用電線範囲 WIRE RANGE	—
被覆外径 INS. RANGE	—
DRAWN BY '96/06/25 H.IIJJIMA	CHK'D BY '96/06/25 M.FUKUSHIMA
APP'D BY '96/06/25 M.ENOMOTO	尺度 SCALE 2 : 1
角 度 ANGLE	±3°
30°以上 OVER	±0.3
10°以上 30°未満 OVER UNDER	±0.25
10°未満 UNDER	±0.2
一般公差 GENERAL TOLERANCES	記号 LTR 変更内容 REVISION RECORD
	DR. CHK. 日付 DATE

MOLEX-JAPAN CO.,LTD. 日本モレックス株式会社	
REVISE ONLY ON CAD SYSTEM	
TITLE 名称	
9 CKT. PLUG HS'G. (.093 DIA. TERMINAL)	
DWG. NO.	REV
SD-3191-09PI-*	L