

PLEASE CHECK WWW.MOLEX.COM FOR LATEST PART INFORMATION

Part Number: [0039036030](#)
Status: **Active**
Overview: [standard_093](#)
Description: 2.36mm (.093") Diameter Standard .093" Pin and Socket Plug Housing With Positive Latch, UL 94V-2, Panel Mount, 3 Circuits

Documents:

[3D Model](#) [Product Specification PS-3191-001 \(PDF\)](#)
[Drawing \(PDF\)](#) [RoHS Certificate of Compliance \(PDF\)](#)

Agency Certification

CSA	LR19980
TUV	R72081037
UL	E29179

General

Product Family	Crimp Housings
Series	3191
Comments	Polarized to Mating Part
Overview	standard_093
Product Name	Standard .093"

Physical

Breakaway	No
Circuits (maximum)	3
Circuits Detail	1x3
Color - Resin	Natural
Flammability	94V-2
Gender	Dual
Glow-Wire Compliant	No
Keying to Mating Part	None
Lock to Mating Part	Yes
Material - Resin	Nylon
Number of Rows	1
Packaging Type	Bag
Panel Mount	Yes
Pitch - Mating Interface (in)	0.264 In
Pitch - Mating Interface (mm)	6.71 mm
Polarized to Mating Part	Yes
Stackable	No
Temperature Range - Operating	-40°C to +105°C

Electrical

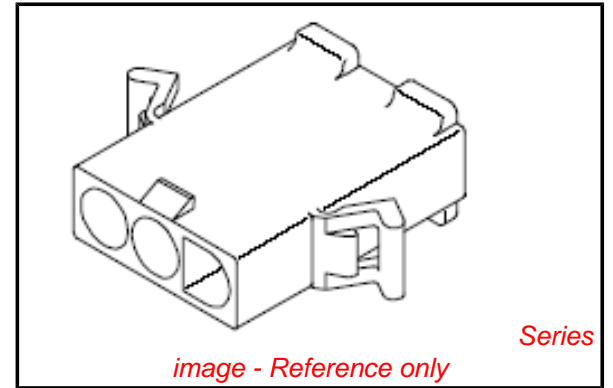
Current - Maximum per Contact	11A
-------------------------------	-----

Material Info

Old Part Number	3191-03P
-----------------	----------

Reference - Drawing Numbers

Packaging Specification	SPK-3191-001
Product Specification	PS-3191-001
Sales Drawing	SD-3191-03P-*



EU RoHS

**ELV and RoHS
Compliant**

REACH SVHC

**Contains SVHC: No
Halogen-Free**

Status

Not Reviewed

China RoHS



**Need more information on product
environmental compliance?**

Email productcompliance@molex.com
 For a multiple part number RoHS Certificate of Compliance, [click here](#)

Please visit the [Contact Us](#) section for any non-product compliance questions.

Search Parts in this Series

[3191Series](#)

Mates With

[3191](#) Pin and Socket Rectacle, [5219](#) Vertical PCB Header

Use With

[1189](#) Crimp Terminals, [1190](#) Crimp Terminals, [1380](#) Male Crimp Terminals, [1381](#) Female Crimp Terminals, [1433](#) Crimp Terminals, [1434](#) Male Crimp Terminals, [2605](#) , [2606](#) , [1973](#) , [2151](#) , [2273](#) , [2870](#) , [2871](#) , [4272](#) , Lin

E

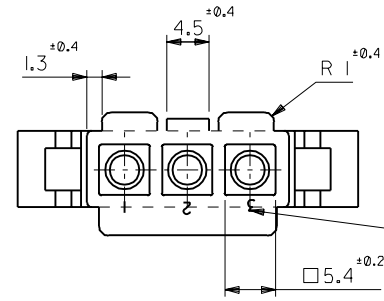
D

C

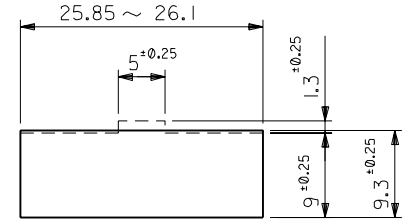
B

A

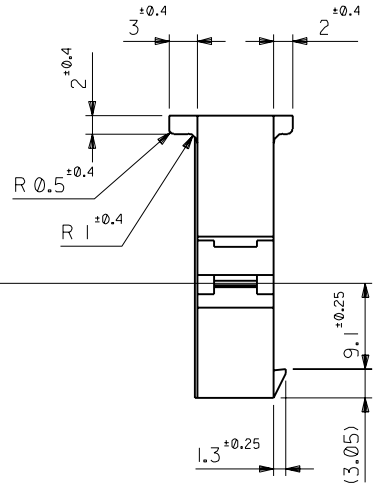
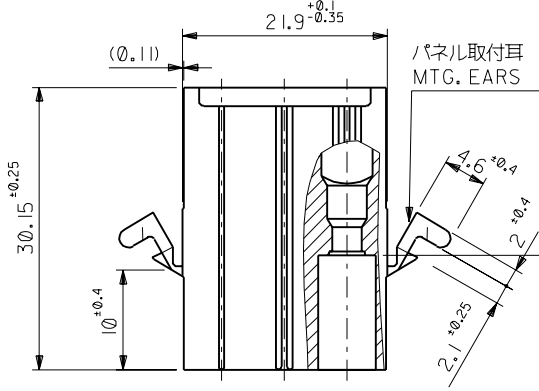
MM DIMENSIONS IN METRIC DO NOT SCALE DRAWING



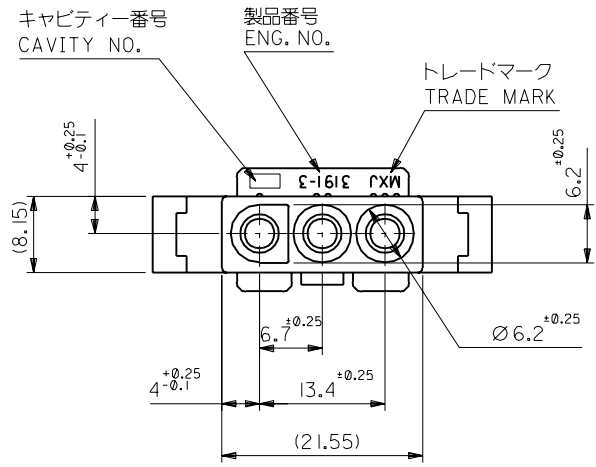
サーキット番号
CIRCUIT NO.



パネル取付穴推奨寸法 (厚さ2.0最大)
ハウジングの装着はパネル穴打抜き方向より行うこと
RECOMMENDED PANEL HOLE DIMENSION (THK. 2.0 MAX.)
ATTACH THE HOUSING FROM THE DIRECTION OF
PANEL HOLE PUNCHED OUT.



注記
NOTE
() 内寸法は参考値
DIMENSIONS IN () ARE REFERENCE



39-03-6031	3191-03P-201	NYLON66	94V-0
39-03-6030	3191-03P	NYLON66	94V-2
EDP. NO.	ENG. NO.	MATERIAL	UL

角度 ANGLE	33°	材料 MATERIAL	表参照 SEE CHART
30°以上 OVER	+0.3	仕上げ FINISH	—
10°以上 30°未満 UNDER	+0.25	適用電線範囲 WIRE RANGE	—
10°未満 UNDER	+0.2	被覆外径 INS. RANGE	—
再作図 REDRAWN	H.I.J. M.F. '96/06/24	DRAWN BY '96/06/24	CHK'D BY '96/06/24
変更内容 REVISION RECORD	(JCT0316)	H.I.IJIMA	M.FUKUSHIMA
記号 LTR	DR. DATE	APP'D BY '96/06/24	尺度 SCALE 2 : 1
一般公差 GENERAL TOLERANCES		M.ENOMOTO	

MOLEX-JAPAN CO.,LTD. 日本モレックス株式会社	
REVISE ONLY ON CAD SYSTEM	
TITLE 名称	
3 CKT. PLUG HS'G. (.093 DIA. TERMINAL)	
DWG. NO.	REV
SD-3191-03P-*	J