

PLEASE CHECK WWW.MOLEX.COM FOR LATEST PART INFORMATION

Part Number: [0943285001](#)
Status: **Active**
Description: SMT, Micro Spring Contact for Board to Board Connection

Documents:

[Drawing \(PDF\)](#) [RoHS Certificate of Compliance \(PDF\)](#)
[Product Specification PS-94328-001 \(PDF\)](#)

General

Product Family	Accessories
Series	94328
Component Type	Clip
Product Name	N/A

Physical

Circuits (Loaded)	1
Packaging Type	Reel

Solder Process Data

Duration at Max. Process Temperature (seconds)	15
Lead-free Process Capability	Reflow Capable (SMT only)
Max. Cycles at Max. Process Temperature	4
Process Temperature max. C	265

Material Info

Reference - Drawing Numbers

Product Specification	PS-94328-001, RPS-94328-001
Sales Drawing	SD-94328-001

EU RoHS

**ELV and RoHS
Compliant**
**REACH SVHC
Contains SVHC: No**
**Halogen-Free
Status**

China RoHS



Not Reviewed

**Need more information on product
environmental compliance?**

Email productcompliance@molex.com
For a multiple part number RoHS Certificate of
Compliance, [click here](#)

Please visit the [Contact Us](#) section for any
non-product compliance questions.

Search Parts in this Series
[94328Series](#)

7

6

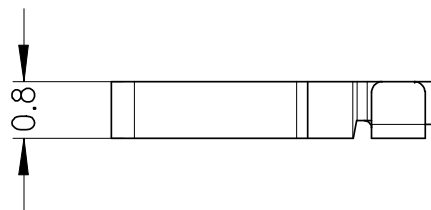
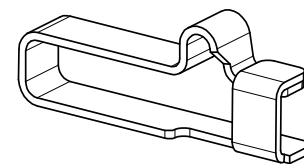
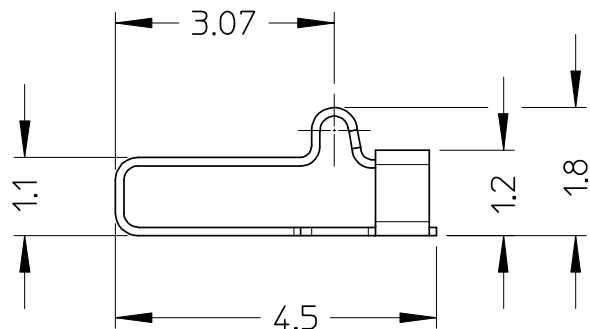
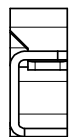
5

4

3

2

1



NOTES:

- 1. MATERIAL: BERYLLIUM COPPER 0.127 mm THICK.
0.07 μm MIN. Au OVER 1.27 μm MIN. Ni
- 2. CONTACT NORMAL FORCES @0.4 mm
DEFLECTION 0.30 N ±0.15 N
- 3. PACKAGING: T&R 8000 PCS/REEL,
8 REEL/BOX (SPQ=64000 PCS)

Std.Descr.: "MICRO SPRING CONTACT"

ENTER DESCRIPTION EC NO: Z2008-0143 DRWN:FGOTTARD 2008/03/17 CHKD:LSANTESSO 2008/03/17 APPR:GZUIN 2008/03/18	DESCRIPTION REV	QUALITY SYMBOLS	GENERAL TOLERANCES (UNLESS SPECIFIED)	DIMENSION STYLE	SCALE	DESIGN UNITS	FIRST ANGLE PROJECTION
		=0 =0	mm INCH	MM ONLY	10:1	METRIC	
		4 PLACES ± --- ± ---	4 PLACES ± --- ± ---	DRAWN BY	DATE	TITLE	
		3 PLACES ± --- ± ---	3 PLACES ± --- ± ---	FGOTTARDO	2008/14/03	MICRO SPRING CONTACT	
2 PLACES ± 0.10 ± ---	2 PLACES ± 0.10 ± ---	CHECKED BY	DATE	MATERIAL NO.			
1 PLACE ± 0.15 ± ---	1 PLACE ± 0.15 ± ---	RSANDANO	2008/14/03	94328-5001			
ANGULAR ± ---°	ANGULAR ± ---°	APPROVED BY	DATE	DOCUMENT NO.			
		GZUIN	2008/14/03	SD-94328-001			
DRAFT WHERE APPLICABLE MUST REMAIN WITHIN DIMENSIONS			MATERIAL NO.		SHEET NO.		
			94328-5001		1 OF 1		
			MOLEX INCORPORATED				
			THIS DRAWING CONTAINS INFORMATION THAT IS PROPRIETARY TO MOLEX INCORPORATED AND SHOULD NOT BE USED WITHOUT WRITTEN PERMISSION				

6

5

4

3

2

1