

PLEASE CHECK WWW.MOLEX.COM FOR LATEST PART INFORMATION

Part Number: **0351410300**
Status: **Planned for Obsolescence**
Description: 2.00mm (.079") Dia Wire-to-Wire Housing, Female, 3 Circuits

Documents:

[3D Model](#) [Product Specification PS-35141-001 \(PDF\)](#)
[Drawing \(PDF\)](#) [RoHS Certificate of Compliance \(PDF\)](#)

General

Product Family Crimp Housings
Series [35141](#)
Product Name N/A

Physical

Breakaway No
Circuits (maximum) 3
Gender Receptacle
Glow-Wire Compliant No
Number of Rows 1
Packaging Type Bag
Panel Mount No
Pitch - Mating Interface (in) 0.244 In
Pitch - Mating Interface (mm) 6.20 mm
Pitch - Term. Interface (in) 0.244 In
Pitch - Term. Interface (mm) 6.20 mm
Polarized to Mating Part Yes
Ports 1
Stackable No
Temperature Range - Operating -25°C to +90°C

Electrical

Current - Maximum per Contact 15A

Material Info

Reference - Drawing Numbers

Product Specification PS-35141-001
Sales Drawing SD-35141-030

EU RoHS

**ELV and RoHS
Compliant**

REACH SVHC

Not Reviewed

Halogen-Free

Status

Not Reviewed

China RoHS



**Need more information on product
environmental compliance?**

Email productcompliance@molex.com
For a multiple part number RoHS Certificate of
Compliance, [click here](#)

Please visit the [Contact Us](#) section for any
non-product compliance questions.

Search Parts in this Series

[35141Series](#)

Mates With

[35143](#)

Use With

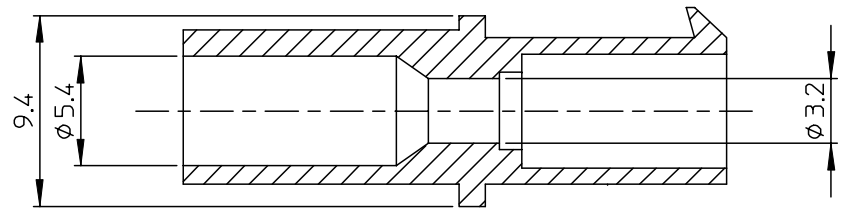
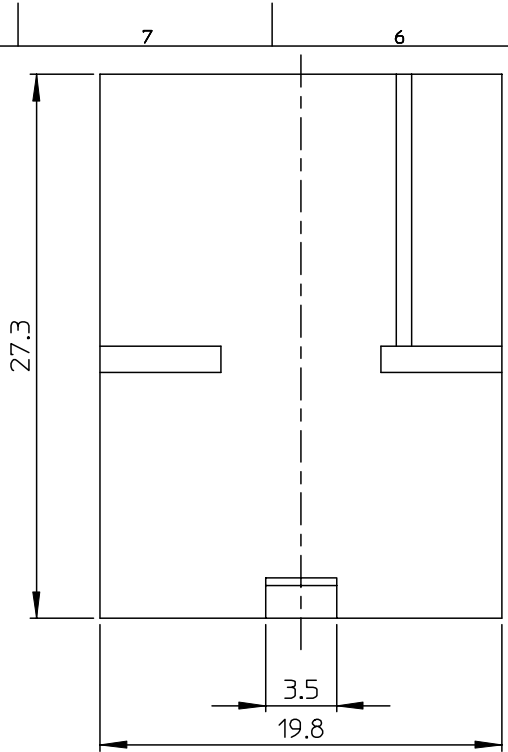
[35727-0201](#)

DWG. NO.
SD-35141-030

SIMILAR ITEM

PROJECT NO.

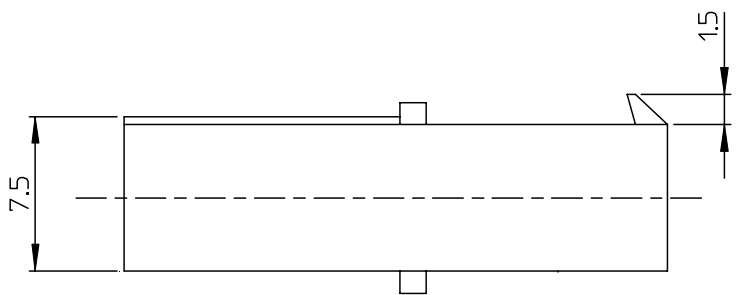
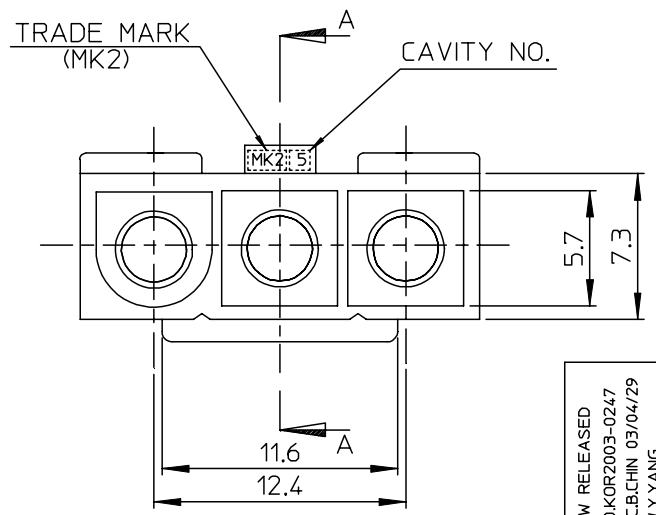
DO NOT SCALE DRAWING
DIMENSION IN METRIC



SECTION A-A

NOTES

1. MATERIAL : NYLON66,UL94V-2
NATURAL COLOR
2. APPLICABLE TERMINAL : 35727-0201
3. MATED PLUG HOUSING : 35143-0301



NEW RELEASED ECN NO. KR2003-0247 DRWN: C.B.CHIN 03/04/29 CHK: W.Y.YANG APPR: C.W.LEE	DESCRIPTION
A	REV

QUALITY SYMBOLS	MAJOR	CRITICAL
	$\nabla = 0$	$\nabla \square = 0$

GENERAL TOLERANCES: (UNLESS SPECIFIED)	
mm	INCH
4 PLACES	± 0.1
3 PLACES	± 0.15
2 PLACES	± 0.2
1 PLACE	± 0.3
ANGULAR: $\pm 1^\circ$	
DRAFT WHERE APPLICABLE MUST REMAIN WITHIN DIMENSIONS	

SCALE 4:1	DESIGN UNITS <input checked="" type="checkbox"/> mm <input type="checkbox"/> INCH
DRAWN BY & DATE C.B.CHIN 03/03/17	
CHECKED BY & DATE W.Y.YANG 03/03/17	
APPROVED BY & DATE C.W.LEE 03/03/17	
CAD FILENAME S1410300AA.MI	

DIMENSIONS: <input type="checkbox"/> mm <input type="checkbox"/> INCH <input checked="" type="checkbox"/> mm ONLY		SHT	REV
THIRD ANGLE PROJECTION		REVISE ON CAD ONLY	
TITLE: 2.0 DIA REC' HOUSING-3P (WITHOUT MOUNTAER)		A	
MOLEX INCORPORATED		SHEET NO. 1 OF 1	
CAD FILENAME S1410300AA.MI	MATERIAL NO. 351410300	DRAWING NO. SD-35141-030	SIZE B
THIS DRAWING CONTAINS INFORMATION THAT IS PROPRIETARY TO MOLEX INCORPORATED AND SHOULD NOT BE USED WITHOUT WRITTEN PERMISSION.			KOREA MX-A3