

PLEASE CHECK WWW.MOLEX.COM FOR LATEST PART INFORMATION

Part Number: [0351650102](#)
Status: **Active**
Description: 6.35mm (.250") Tab Safe Lock Flag Housing, 1 Circuit, 1 Circuits

Documents:

[Drawing \(PDF\)](#) [RoHS Certificate of Compliance \(PDF\)](#)
[Product Specification PS-35165-001 \(PDF\)](#)

Agency Certification

CSA LR19980
 UL E29179

General

Product Family Crimp Housings
 Series [35165](#)
 Product Name N/A

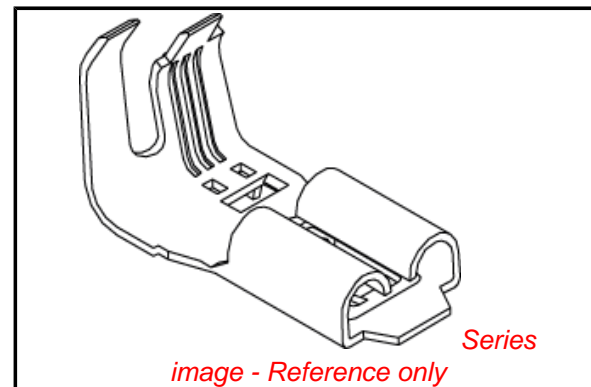
Physical

Circuits (maximum) 1
 Color - Resin Natural
 Flammability 94V-2
 Gender Female
 Glow-Wire Compliant No
 Material - Resin Nylon
 Number of Rows 1
 Packaging Type Bag
 Panel Mount No
 Pitch - Mating Interface (in) 0.000 In
 Pitch - Mating Interface (mm) 0.00 mm
 Stackable No
 Temperature Range - Operating -40°C to +105°C

Material Info

Reference - Drawing Numbers

Product Specification PS-35165-001
 Sales Drawing SD-35165-0100



EU RoHS

**ELV and RoHS
 Compliant**
REACH SVHC
 Not Reviewed
**Halogen-Free
 Status**

China RoHS



**Need more information on product
 environmental compliance?**

Email productcompliance@molex.com
 For a multiple part number RoHS Certificate of
 Compliance, [click here](#)

Please visit the [Contact Us](#) section for any
 non-product compliance questions.

Search Parts in this Series
[35165Series](#)

Use With
[35725-4810](#)

DO NOT SCALE DRAWING
DIMENSION IN METRIC

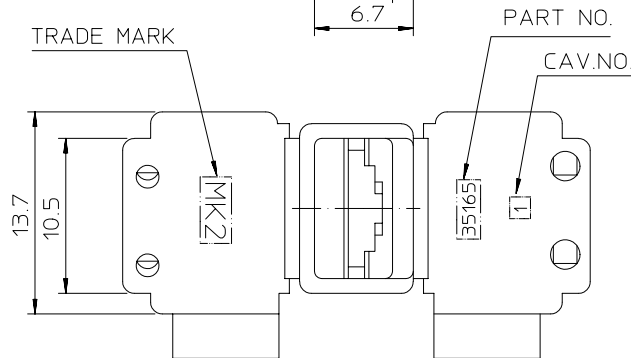
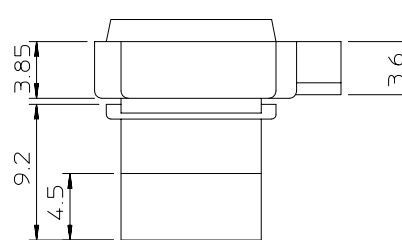
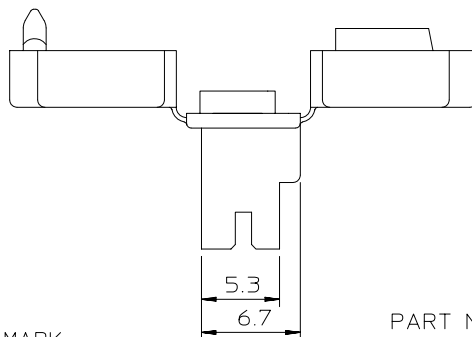
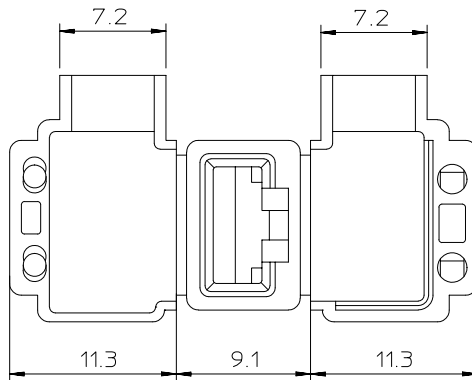
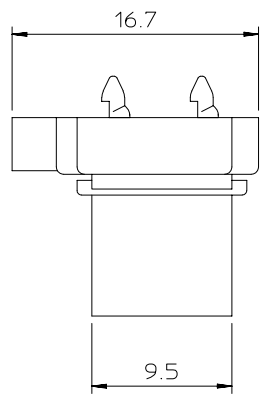
DWG. NO.
SD 35165-0100

SIMILAR ITEM

PROJECT NO.

8 7 6 5 4 3 2 1

F
E
D
C
B
A
MX-A3



| MATERIAL NO. | ENG NO. | COLOR |
|--------------|------------|---------|
| 351650100 | 35165-0100 | NATURAL |
| 351650102 | 35165-0102 | RED |

NOTES

1. MATERIAL: NYLON66 UL94V-2
2. APPLICABLE TERMINAL: 35725-4810

| | | | | | | | | | | |
|---|--------------------|---|----|--|--|---------------------------|--|------------------|-----------------------|-----|
| EC NO. KOR2000-0088 DRWN: C.B.CHIN 001106 CHK: APPR: | MAJOR CRITICAL | GENERAL TOLERANCES: (UNLESS SPECIFIED) | | SCALE 3:1 | DESIGN UNITS <input checked="" type="checkbox"/> mm <input type="checkbox"/> INCH | THIRD ANGLE PROJECTION | DIMENSIONS: <input type="checkbox"/> mm <input type="checkbox"/> INCH <input checked="" type="checkbox"/> mm ONLY | | SHT | REV |
| | | 4 PLACES ±0. | ±. | DRAWN BY & DATE W.Y.YANG 95.125 | TITLE: 250 SAFE LOCK FLAG HOUSING | | | | REVISE ON CAD ONLY | |
| B | DESCRIPTION REV | 3 PLACES ±0. | ±. | CHECKED BY & DATE B.K.CHOI 95.125 | APPROVED BY & DATE C.W.LEE 95.125 | | | | | |
| | | 2 PLACES ±0. | ±. | CAD FILENAME SD 35165-0100.MI | | MATERIAL NO. SEE TABLE | DRAWING NO. SD 35165-0100 | SHEET NO 1of1 | SIZE B | |
| | | 1 PLACE ±0.3 | ±. | THIS DRAWING CONTAINS INFORMATION THAT IS PROPRIETARY TO MOLEX INCORPORATED AND SHOULD NOT BE USED WITHOUT WRITTEN PERMISSION. | | | | | | |