

PLEASE CHECK WWW.MOLEX.COM FOR LATEST PART INFORMATION

Part Number: [0358972410](#)
Status: **Active**
Description: 1.02/2.28mm (.040/.090") Tab, Hybrid Wire-to-Wire Housing, Male, 24 Circuits

Documents:

[3D Model](#) [Product Specification PS-35896-2090 \(PDF\)](#)
[Drawing \(PDF\)](#) [RoHS Certificate of Compliance \(PDF\)](#)

General

Product Family Crimp Housings
 Series [35897](#)
 Product Name N/A

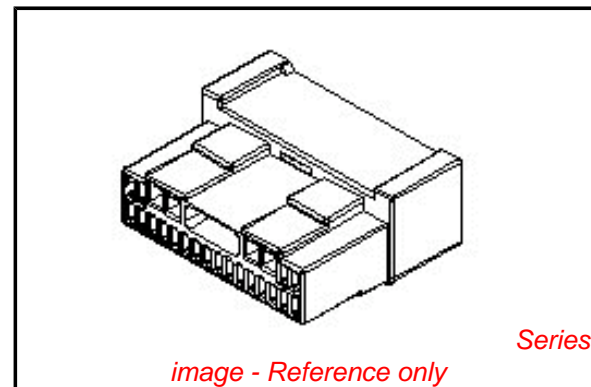
Physical

Circuits (maximum) 24
 Color - Resin Natural, Yellow
 Gender Male
 Glow-Wire Compliant No
 Material - Resin Polyester
 Number of Rows 2
 Packaging Type Bag
 Panel Mount Yes
 Pitch - Mating Interface (in) 0.098 In
 Pitch - Mating Interface (mm) 2.50 mm
 Stackable No
 Temperature Range - Operating -40°C to +80°C

Material Info

Reference - Drawing Numbers

Product Specification PS-35896-2090
 Sales Drawing SD-35897-002



EU RoHS

**ELV and RoHS
Compliant**
REACH SVHC
 Not Reviewed
**Halogen-Free
Status**

China RoHS



**Need more information on product
environmental compliance?**

Email productcompliance@molex.com
 For a multiple part number RoHS Certificate of
 Compliance, [click here](#)

Please visit the [Contact Us](#) section for any
 non-product compliance questions.

Search Parts in this Series

[35897Series](#)

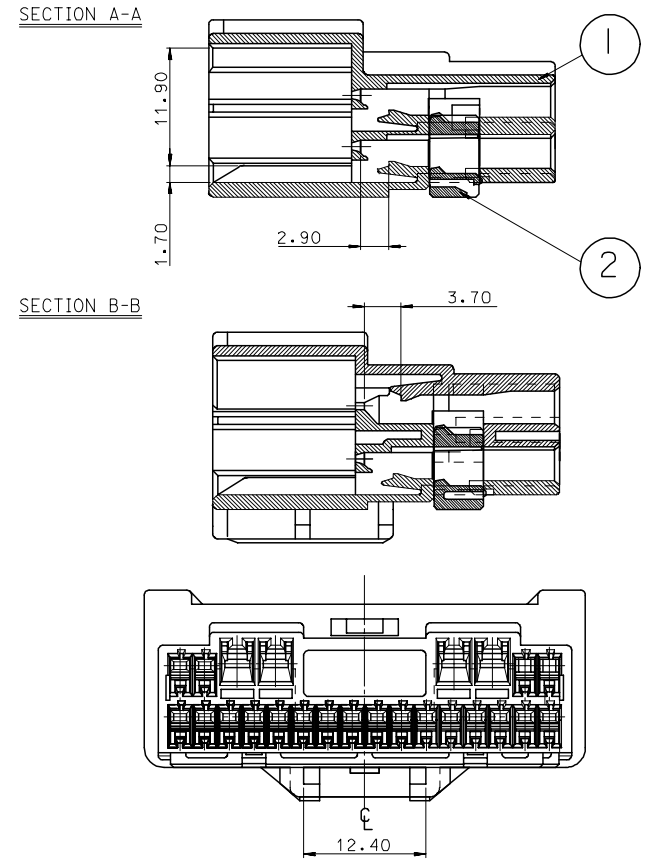
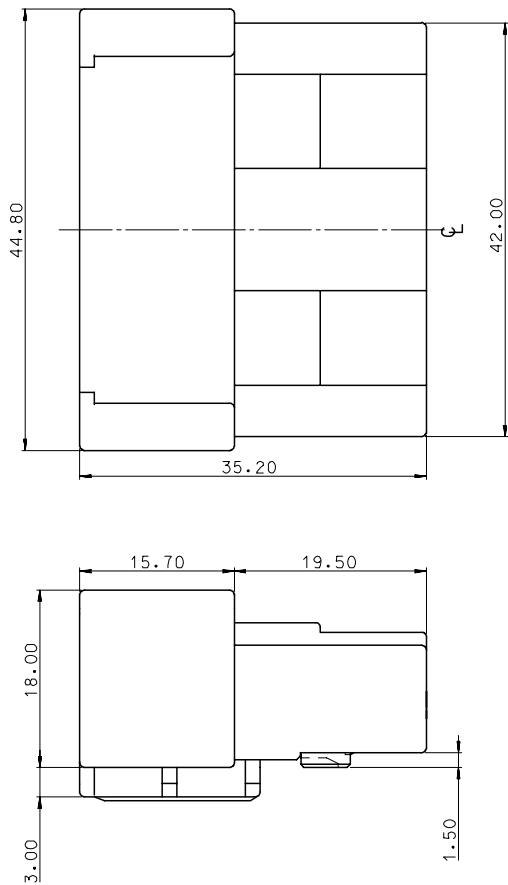
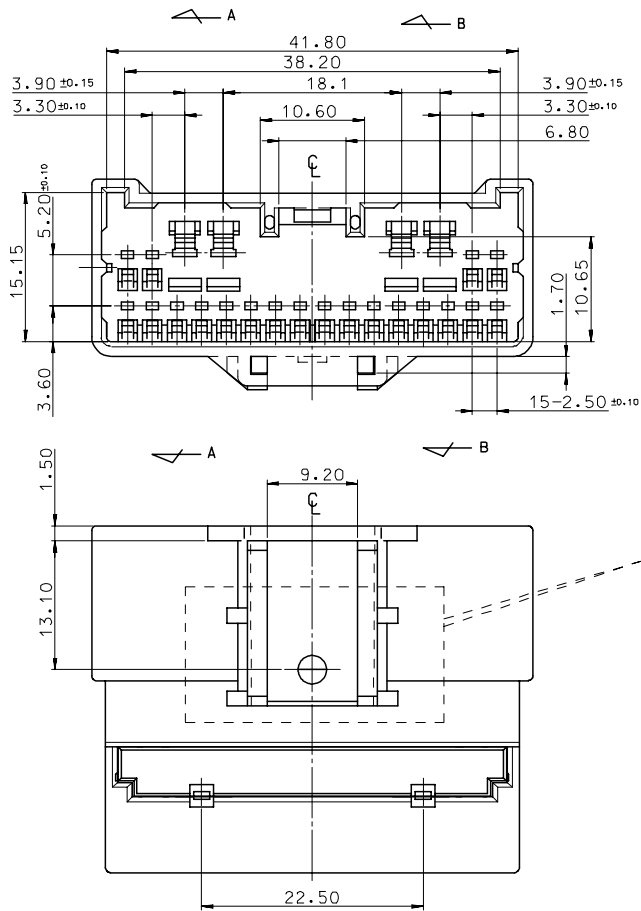
Mates With

[35896](#)

Use With

[50654](#)

NO.	PART NO.	PART NAME	MATERIAL	REMARK
I-1	35897-2490	.040/090 M/HSG 24P	POLYESTER	WHITE
I-2	35897-2491	.040/090 M/HSG 24P	POLYESTER	BLACK
I-3	35897-2495	.040/090 M/HSG 24P	POLYESTER	GRAY
2	35897-2483	.040/090 MALE TPA 24P	POLYESTER	YELLOW



NOTE
 1. MATERIAL & FINISH: SEE TABLE
 2. APPLICATION: .040/090 FEMALE HOUSING ASS'Y 24P(ENG. NO.:35896-2410)

3	358972415	35897-2415
2	358972411	35897-2411
1	358972410	35897-2410
NO.	MATERIAL NO.	ENG. NO.

REVISED EC NO: KOR2007-0048 DRW: ECKIM 2007/03/07 CHK: ABC YOON 2007/03/07 APPR: YUNSIKKIM 2007/03/23	QUALITY SYMBOLS	GENERAL TOLERANCES (UNLESS SPECIFIED)	DIMENSION STYLE	SCALE	DESIGN UNITS	THIRD ANGLE PROJECTION																	
	$\nabla=0$ $\sphericalangle=0$	<table border="1"> <thead> <tr> <th></th> <th>mm</th> <th>INCH</th> </tr> </thead> <tbody> <tr> <td>4 PLACES</td> <td>\pm---</td> <td>\pm---</td> </tr> <tr> <td>3 PLACES</td> <td>\pm---</td> <td>\pm---</td> </tr> <tr> <td>2 PLACES</td> <td>± 0.2</td> <td>\pm---</td> </tr> <tr> <td>1 PLACE</td> <td>± 0.3</td> <td>\pm---</td> </tr> <tr> <td colspan="3">ANGULAR $\pm 1^\circ$</td> </tr> </tbody> </table>		mm	INCH		4 PLACES	\pm ---	\pm ---	3 PLACES	\pm ---	\pm ---	2 PLACES	± 0.2	\pm ---	1 PLACE	± 0.3	\pm ---	ANGULAR $\pm 1^\circ$			MM ONLY	2:1
		mm	INCH																				
	4 PLACES	\pm ---	\pm ---																				
3 PLACES	\pm ---	\pm ---																					
2 PLACES	± 0.2	\pm ---																					
1 PLACE	± 0.3	\pm ---																					
ANGULAR $\pm 1^\circ$																							
DESCRIPTION	DRAWN BY	DATE	TITLE	.040/090 MALE HSG ASS'Y 24P																			
	HC.RHO	00/06/08																					
	CHECKED BY	DATE		MOLEX INCORPORATED																			
	BK.CHO1	00/06/08																					
	APPROVED BY	DATE		SD-35897-002																			
	CW.LEE	00/06/08																					
	MATERIAL NO.	DOCUMENT NO.	SHEET NO.	1 OF 01																			
	DRAFT WHERE APPLICABLE MUST REMAIN WITHIN DIMENSIONS			SEE TABLE																			
	THIS DRAWING CONTAINS INFORMATION THAT IS PROPRIETARY TO MOLEX INCORPORATED AND SHOULD NOT BE USED WITHOUT WRITTEN PERMISSION																						