

**PLEASE CHECK WWW.MOLEX.COM FOR LATEST PART INFORMATION**

**Part Number:** [0885236805](#)  
**Status:** **Active**  
**Overview:** [fiber optic product families](#)  
**Description:** SC-to-SC, Multimode, 62.5/125µm, Duplex, 90D, 3.00mm (.118"), Standard Fiber Optic Cable Assembly, 20.0m (65.62' )

**Documents:**

[Drawing \(PDF\)](#) [RoHS Certificate of Compliance \(PDF\)](#)

**General**

Product Family	Fiber Optic Assemblies
Series	<a href="#">88523</a>
Connector to Connector	SC-to-SC
Mode	Multimode
Overview	<a href="#">fiber optic product families</a>
Product Name	SC

**Physical**

Cable Length	20.0m (65.62' )
Cable Size	3.00mm (.118")
Fiber (Core/Cladding)	62.5/125µm
Single Ended	No
Wire/Cable Type	Duplex

**Material Info**

**Reference - Drawing Numbers**

Sales Drawing	SD-88523-085
---------------	--------------

**EU RoHS**

**ELV and RoHS  
Compliant**

**REACH SVHC**

**Not Reviewed**

**Halogen-Free**

**Status**

**Not Reviewed**

**China RoHS**



**Need more information on product  
environmental compliance?**

Email [productcompliance@molex.com](mailto:productcompliance@molex.com)  
 For a multiple part number RoHS Certificate of Compliance, [click here](#)

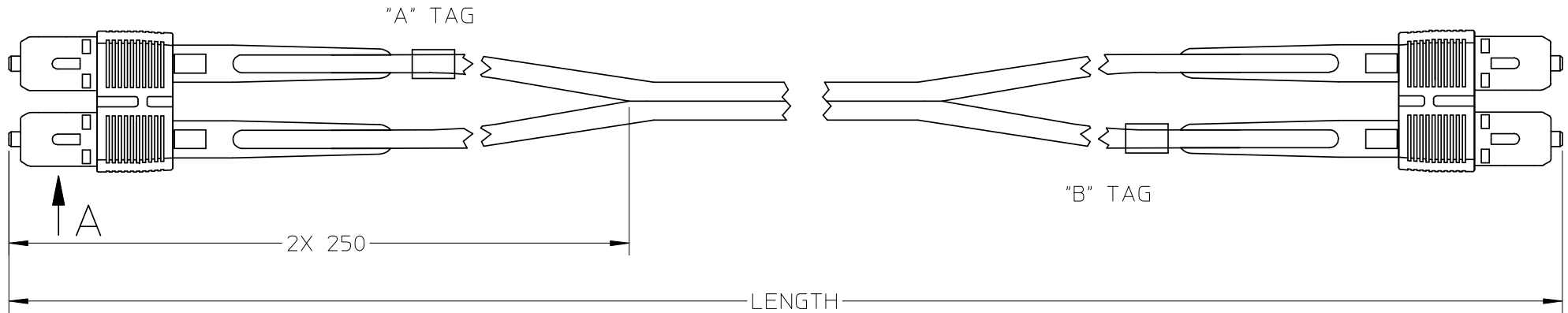
Please visit the [Contact Us](#) section for any non-product compliance questions.

**Search Parts in this Series**

[88523Series](#)

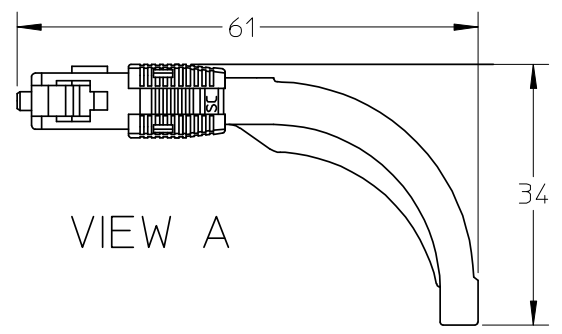
E

E



D

D



C

C

B

B

885236805	SC-SC DUP 90D MM 62.5/125 3MM 20M	20000(+200/-0)
885236804	SC-SC DUP 90D MM 62.5/125 3MM 2M	2000(+200/-0)
885236803	SC-SC DUP 90D MM 62.5/125 3MM 1M	1000(+100/-0)
885236802	SC-SC DUP 90D MM 62.5/125 3MM 3M	3000(+200/-0)
885236801	SC-SC DUP 90D MM 62.5/125 3MM 10M	10000(+200/-0)
885236800	SC-SC DUP 90D MM 62.5/125 3MM 5M	5000(+200/-0)
MX P/N	DESCRIPTION	LENGTH

NOTES:

- DUST CAPS ARE NOT SHOWN
- PER CHANNEL @ 850nm, IL <= 0.5dB

A

A

ENTER DESCRIPTION EC NO: DG2008-0161 DRWN:XPCHEN CHKD: APPR:JOWANG	2008/07/15 2008/07/15 2008/07/18	DESCRIPTION REV	QUALITY SYMBOLS	GENERAL TOLERANCES (UNLESS SPECIFIED) mm INCH 4 PLACES ± --- ± --- 3 PLACES ± --- ± --- 2 PLACES ± --- ± --- 1 PLACE ± --- ± --- ANGULAR ± ---°	DIMENSION STYLE	SCALE	DESIGN UNITS	THIRD ANGLE PROJECTION	
			▼=0		MM ONLY	---	METRIC		
			∇=0		DRAWN BY	DATE	TITLE		
			DRAFT WHERE APPLICABLE MUST REMAIN WITHIN DIMENSIONS		XP	2008/07/01	SC-SC DUP 90D MM 62.5/125 3MM		
				APPROVED BY	DATE	MOLEX INCORPORATED			
				JOHNNY	2008/07/01	DOCUMENT NO.	SD-88523-085		SHEET NO.
								1 OF 1	
					SIZE	THIS DRAWING CONTAINS INFORMATION THAT IS PROPRIETARY TO MOLEX INCORPORATED AND SHOULD NOT BE USED WITHOUT WRITTEN PERMISSION			
					A 4				