

**PLEASE CHECK WWW.MOLEX.COM FOR LATEST PART INFORMATION**

**Part Number:** [0495170400](#)  
**Status:** **Active**  
**Description:** 3.96mm (.156") Pitch Wire-to-Board Female Housing, 4 Circuits, Natural

**Documents:**

[Drawing \(PDF\)](#) [Product Specification PS-49517-001 \(PDF\)](#)  
[Packaging Specification \(PDF\)](#) [RoHS Certificate of Compliance \(PDF\)](#)

**Agency Certification**

UL E29179

**General**

Product Family Crimp Housings  
 Series [49517](#)  
 Product Name N/A

**Physical**

Breakaway No  
 Circuits (maximum) 4  
 Color - Resin Natural  
 Flammability 94V-0  
 Gender Female  
 Glow-Wire Compliant No  
 Keying to Mating Part None  
 Lock to Mating Part None  
 Material - Resin Nylon  
 Number of Rows 1  
 Packaging Type Bag  
 Panel Mount No  
 Pitch - Mating Interface (in) 0.156 In  
 Pitch - Mating Interface (mm) 3.96 mm  
 Polarized to Mating Part Yes  
 Stackable No  
 Temperature Range - Operating -25°C to +85°C

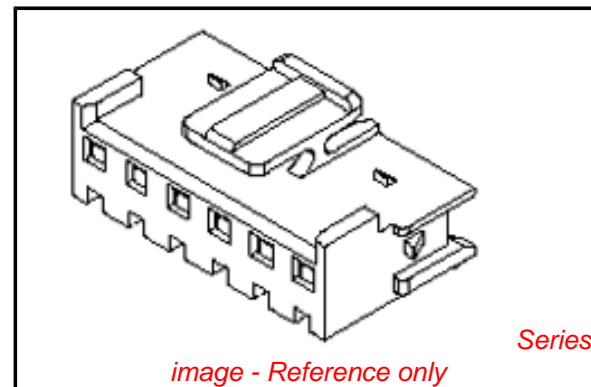
**Electrical**

Current - Maximum per Contact 7A

**Material Info**

**Reference - Drawing Numbers**

Product Specification PS-49517-001  
 Sales Drawing SD-49517-001



**EU RoHS**

**ELV and RoHS  
Compliant**

**REACH SVHC**

Not Reviewed

**Halogen-Free**

**Status**

**Not Reviewed**

**Need more information on product  
environmental compliance?**

Email [productcompliance@molex.com](mailto:productcompliance@molex.com)  
 For a multiple part number RoHS Certificate of  
 Compliance, [click here](#)

Please visit the [Contact Us](#) section for any  
 non-product compliance questions.

**China RoHS**



**Search Parts in this Series**

[49517Series](#)

**Mates With**

[35978 Header](#)

**Use With**

[359229002](#) Wire-to-Board Terminal. [49518](#)  
 TPA™

DWG. NO.  
SD-49517-001

SIMILAR ITEM

PROJECT NO.

B

DO NOT SCALE DRAWING  
DIMENSION IN METRIC

8 7 6 5 4 3 2 1

F

E

D

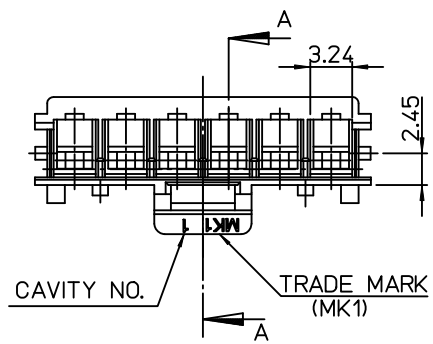
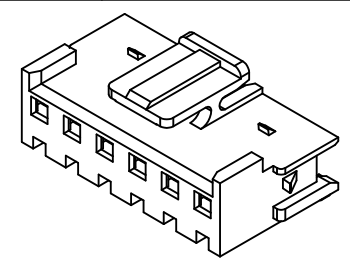
C

B

A

NOTES

1. MATERIAL : POLYAMIDE66,UL94V-0
2. FINISH : NATURAL COLOR
3. APPLICABLE TERMINAL : 35922-9002
4. USED WITH T.P.A : 49518 SERIES
5. MATED WITH HEADER ASSY : 35978 SERIES

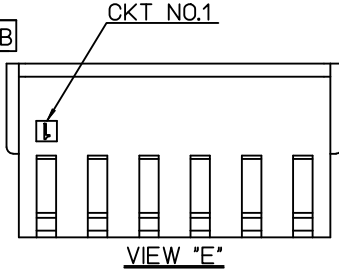
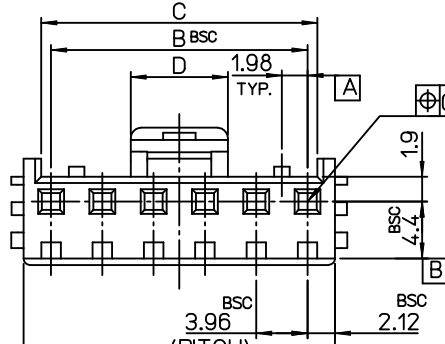
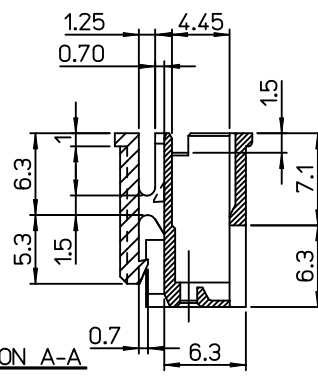
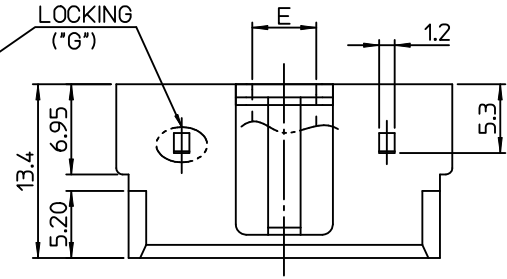
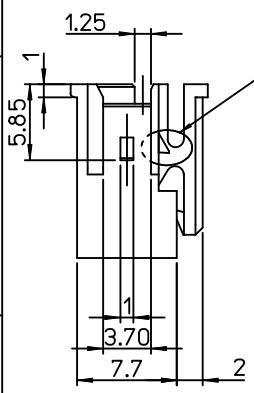


LEGEND

49517 - \*\* 0 \*

COLOR - 0 : NATURAL COLOR  
2 : RED COLOR  
3 : YELLOW COLOR  
4 : BLUE COLOR

CIRCUIT SIZE



E	D	C	B	A	MATERIAL NO.	CKT'	TYPE'G'
17.34	19.9	56.88	55.44	59.68	- 150*	15	LOCKING
		52.92	51.48	55.72	- 140*	14	
		48.96	47.52	51.76	- 130*	13	
		45.00	43.56	47.80	- 120*	12	
		41.04	39.60	43.84	- 110*	11	
		37.08	35.64	39.88	- 100*	10	
15.14	17.7	33.12	31.68	35.92	- 090*	9	LOCKING
13.14	15.7	29.16	27.72	31.96	- 080*	8	
8.31	10.87	25.20	23.76	28.0	- 070*	7	
4.94	7.5	21.24	19.80	24.04	- 060*	6	WITHOUT LOCKING
		17.28	15.84	19.82	- 050*	5	
		13.32	11.88	15.86	- 040*	4	
		9.36	7.92	11.90	- 030*	3	
0.94	3.5	5.4	3.96	7.94	49517- 020*	2	

REVISED (ADDED COLOR) ECN NO. KOR2007-0104 DRWN: J.B.JIN 07/03/27 CHK: W.Y.YANG APPR: E.H.JUNG	QUALITY SYMBOLS MAJOR CRITICAL	GENERAL TOLERANCES: (UNLESS SPECIFIED)		SCALE 1 : 1	DESIGN UNITS <input checked="" type="checkbox"/> MM <input type="checkbox"/> INCH	THIRD ANGLE PROJECTION <input checked="" type="checkbox"/> THIRD ANGLE <input type="checkbox"/> FIRST ANGLE	DIMENSIONS: <input type="checkbox"/> MM <input type="checkbox"/> INCH <input checked="" type="checkbox"/> MM ONLY		SHT REV	
		4 PLACES ±0. ±- 3 PLACES ±0. ±- 2 PLACES ±0.25 ±- 1 PLACE ±0.25 ±- ANGULAR: ± °	DRAWN BY & DATE J.B.JIN 05/02/18 CHECKED BY & DATE W.Y.YANG 05/02/18 APPROVED BY & DATE C.W.LEE 05/02/18	TITLE: 3.96 W/B CONN.HOUSING (TPA TYPE)			MOLEX INCORPORATED		MATERIAL NO. SEE CHART	
DRAFT WHERE APPLICABLE MUST REMAIN WITHIN DIMENSIONS	THIS DRAWING CONTAINS INFORMATION THAT IS PROPRIETARY TO MOLEX INCORPORATED AND SHOULD NOT BE USED WITHOUT WRITTEN PERMISSION.			SIZE B						

8 7 6 5 4 3 2 1 KOREA MX-A3