

PLEASE CHECK WWW.MOLEX.COM FOR LATEST PART INFORMATION

Part Number: [5013290200](#)
Status: **Active**
Overview: [inertia lock 330mm wiretowire system](#)
Description: 3.30mm (.130") Pitch Wire-to-Wire Inertia Lock Plug Housing, Single Row, 2 Circuits, White

Documents:

[Drawing \(PDF\)](#) [RoHS Certificate of Compliance \(PDF\)](#)
[Product Specification PS-501328-001 \(PDF\)](#)

General

| | |
|----------------|------------------------------------------------------|
| Product Family | Crimp Housings |
| Series | 501329 |
| Overview | inertia lock 330mm wiretowire system |
| Product Name | Inertia Lock |

Physical

| | |
|-------------------------------|----------------|
| Circuits (maximum) | 2 |
| Color - Resin | White |
| Gender | Male |
| Glow-Wire Compliant | No |
| Lock to Mating Part | Yes |
| Material - Resin | Nylon |
| Number of Rows | 1 |
| Packaging Type | Bag |
| Panel Mount | No |
| Pitch - Mating Interface (in) | 0.130 In |
| Pitch - Mating Interface (mm) | 3.30 mm |
| Polarized to Mating Part | Yes |
| Stackable | No |
| Temperature Range - Operating | -25°C to +80°C |

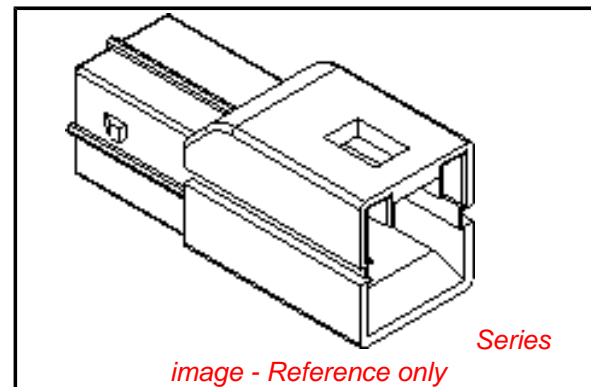
Electrical

| | |
|-------------------------------|----|
| Current - Maximum per Contact | 4A |
|-------------------------------|----|

Material Info

Reference - Drawing Numbers

| | |
|-------------------------|---------------------------------------------------------------|
| Packaging Specification | SPK-501329-001 |
| Product Specification | PS-501328-001, RPS-501328-001, RPS-501328-002, RPS-501328-003 |
| Sales Drawing | SD-501329-001 |



EU RoHS

ELV and RoHS Compliant
REACH SVHC
 Not Reviewed
Halogen-Free Status
 Not Reviewed

China RoHS



Need more information on product environmental compliance?

Email productcompliance@molex.com
 For a multiple part number RoHS Certificate of Compliance, [click here](#)

Please visit the [Contact Us](#) section for any non-product compliance questions.

Search Parts in this Series

[501329Series](#)

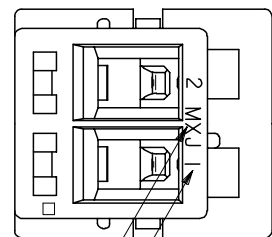
Mates With

[501328-0200](#) Receptacle Housing . [501395](#) Receptacle Terminal for AWG#18-20 . [500989](#) Receptacle Terminal for AWG#22-26

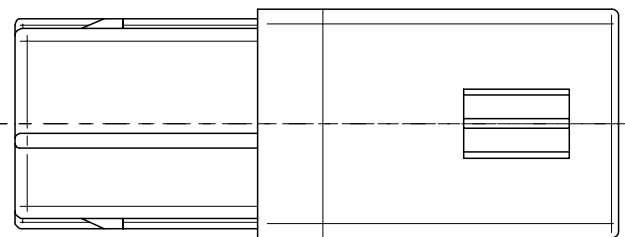
Use With

[51348-0213](#) Retainer . [56265](#) Plug Terminal for AWG#18- 20 . [56279](#) Plug Terminal for AWG#22-26

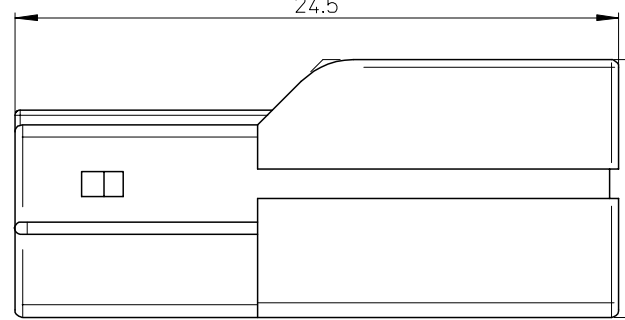
10 9 8 7 6 5 4 3 2 1



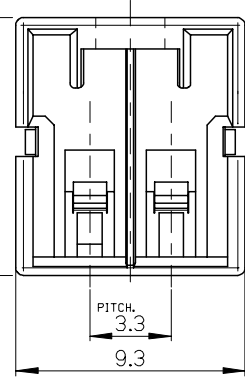
トレードマーク
TRADE MARK.
回路番号
CKT No.



24.5



10.45

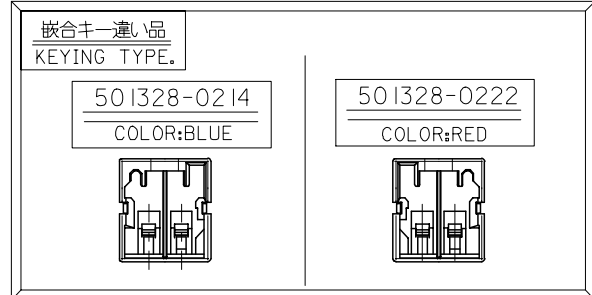
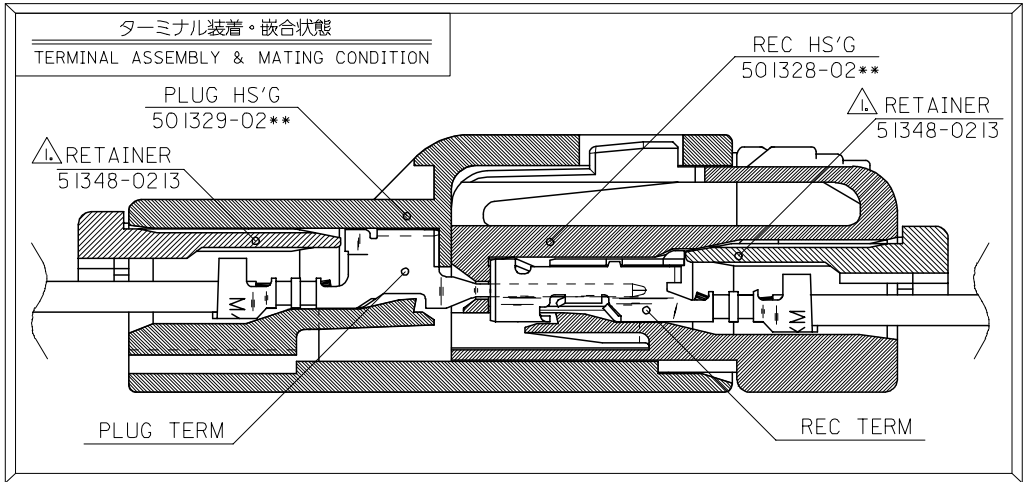


PITCH.
3.3
9.3

注記
NOTES.

- △ 適合リテーナ : 51348-0213
APPLICABLE RETAINER
詳細は SD-51348-001 を参照下さい。
REFERENCE:SD-51348-001
- 2. 材料 : NYLON66,UL94V-0
MATERIAL

本形状は 501329-0200 を示す。
SHAPE OF 501329-0200



| | | |
|-------|--------------|-------------|
| BLUE | 501329-0214 | 501329-02** |
| RED | 501329-0222 | |
| WHITE | 501329-0200 | |
| COLOR | MATERIAL No. | MODEL No. |

| | | | | | | | |
|--------------------------------------------------------------------------------------------------------------------------------|---------------------------------------|------------|----------------------------|----------------------------------------------------------------------------------------------------------------------------------|-------------------------------------------------|------------------------|------------------------|
| RELEASED EC NO: J2005-2177 DRWN: T00A 2005/03/31 CHKDK: ASAKAWA 2005/03/31 APPR: S ICHIKAWA 2005/03/31 A REV | GENERAL TOLERANCES (UNLESS SPECIFIED) | | DIMENSION STYLE MM ONLY | | SCALE 5:1 | DESIGN UNITS METRIC | THIRD ANGLE PROJECTION |
| | 10 UNDER | ±0.2 | DRAWN BY T. ODA | DATE '04/09/30 | TITLE 3.3 W/W INERTIA LOCK CONN PLUG 2CKT | | |
| | 10 OVER 30 UNDER | ±0.25 | CHECKED BY K. ASAKAWA | DATE '04/09/30 | MOLEX INCORPORATED | | |
| | 30 OVER | ±0.3 | APPROVED BY S. ICHIKAWA | DATE '04/09/30 | DOCUMENT NO. SD-501329-001 | | |
| | ANGULAR | ±3 ° | MATERIAL NO. SEE CHART | | SHEET NO. 1 OF 1 | | |
| DRAFT WHERE APPLICABLE MUST REMAIN WITHIN DIMENSIONS | | SIZE A3 | | THIS DRAWING CONTAINS INFORMATION THAT IS PROPRIETARY TO MOLEX INCORPORATED AND SHOULD NOT BE USED WITHOUT WRITTEN PERMISSION | | | |