

PLEASE CHECK WWW.MOLEX.COM FOR LATEST PART INFORMATION

Part Number: [0717410001](#)

Status: **Active**

Description: 1.00mm (.039") Pitch Mezzanine Plug, Surface Mount, Dual Row, Vertical Stacking, 84 Circuits, 8.35mm (.329") Unmated Height, with PCB Locator Pegs, without Robotic Placement Metal Cap, 0.25µm (10µ") Gold (Au) Selective Plating, Tube Packaging

Documents:

[3D Model](#)

[Product Specification PS-71741-9999 \(PDF\)](#)

[Drawing \(PDF\)](#)

[RoHS Certificate of Compliance \(PDF\)](#)

Agency Certification

CSA	LR19980
UL	E29179

General

Product Family	PCB Headers
Series	71741
Application	Board-to-Board
Product Name	Mezzanine

Physical

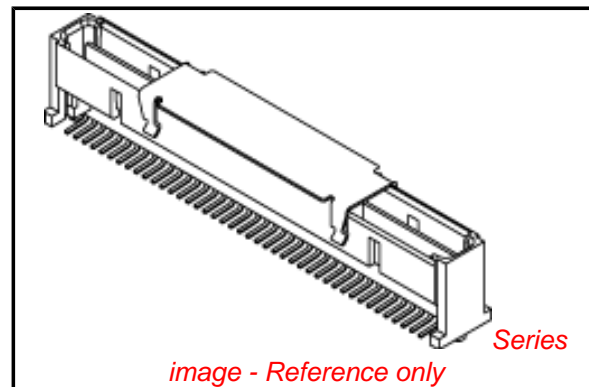
Breakaway	No
Circuits (Loaded)	84
Circuits (maximum)	84
Color - Resin	Natural
Flammability	94V-0
Glow-Wire Compliant	No
Lock to Mating Part	None
Mated Height (in)	0.394 In, 0.591 In
Mated Height (mm)	10.00 mm, 15.00 mm
Material - Metal	Phosphor Bronze
Material - Plating Mating	Gold
Material - Plating Termination	Tin
Material - Resin	High Temperature Thermoplastic
Number of Rows	2
Orientation	Vertical
PCB Locator	Yes
PCB Retention	None
Packaging Type	Tube
Pitch - Mating Interface (in)	0.039 In
Pitch - Mating Interface (mm)	1.00 mm
Plating min: Mating (µin)	10
Plating min: Mating (µm)	0.25
Plating min: Termination (µin)	40.8
Plating min: Termination (µm)	1.02
Shrouded	Fully
Stackable	No
Temperature Range - Operating	-55°C to +85°C
Termination Interface: Style	Surface Mount

Electrical

Current - Maximum per Contact	1A
Voltage - Maximum	100V

Solder Process Data

Duration at Max. Process Temperature (seconds)	40
Lead-free Process Capability	Reflow Capable (SMT only)



EU RoHS

**ELV and RoHS
Compliant**

REACH SVHC

Contains SVHC: No

Halogen-Free

Status

Halogen-Free

China RoHS



**Need more information on product
environmental compliance?**

Email productcompliance@molex.com
For a multiple part number RoHS Certificate of
Compliance, [click here](#)

Please visit the [Contact Us](#) section for any
non-product compliance questions.

Search Parts in this Series

[71741Series](#)

Mates With

[717420](#) for Stack Height 10mm, [717423](#) for
Stack Height 15mm

Max. Cycles at Max. Process Temperature	3
Process Temperature max. C	260

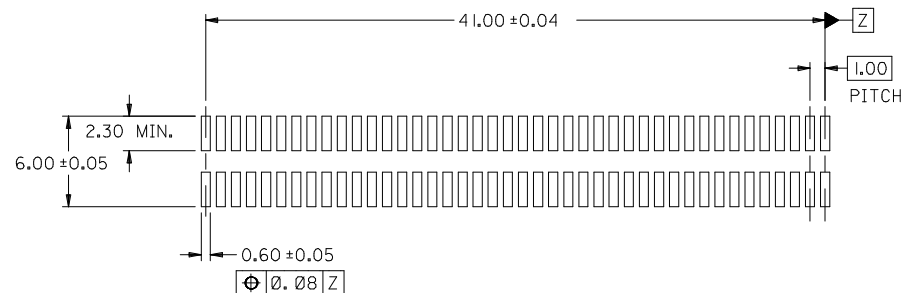
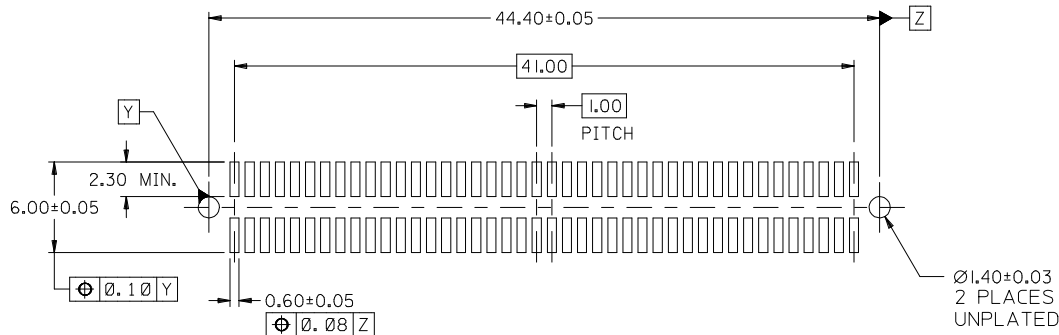
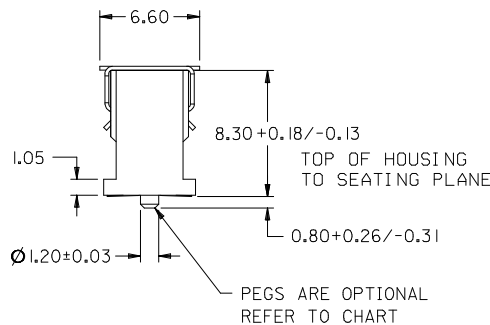
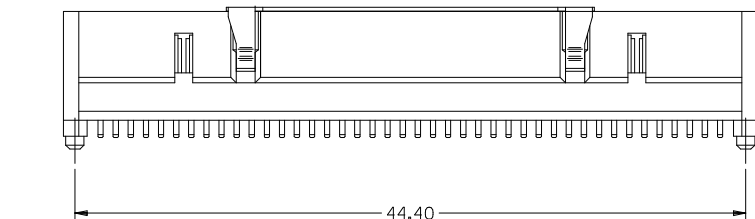
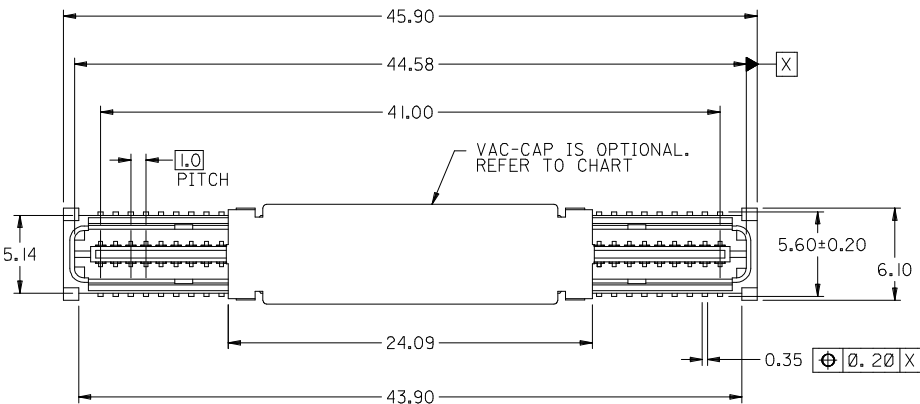
Material Info

Reference - Drawing Numbers

Product Specification	PS-71741-9999
Sales Drawing	SDA-71741-0***

This document was generated on 03/31/2010

PLEASE CHECK WWW.MOLEX.COM FOR LATEST PART INFORMATION



RECOMMENDED PCB LAYOUT

RECOMMENDED PCB THICKNESS: 1.0±0.1mm MIN.

NOTES:

- HOUSING MATERIAL: G.F. THERMOPLASTIC; UL RATING: 94V-0; COLOR: WHITE
TERMINAL MATERIAL: PHOSPHOR BRONZE
VACUUM CAP MATERIAL: STAINLESS STEEL
- COPLANARITY OF SMT TAILS: 0.10 MAX.
- PACKAGING SPECIFICATIONS: REFER TO CHART
- DIMENSIONS ARE IN MILLIMETERS.
- THIS PART, WHEN MATED WITH MOLEX U.S. PART NO. 71742-0*** OR MOLEX JAPAN PART NO. 52841-0848, CONFORMS TO MOLEX PRODUCT SPECIFICATION PS-71741-9999.

71741-0004	YES	YES	PK-70873-063	TAPE & REEL	0.76 GOLD
71741-0003	NO	YES	PK-70873-063	TAPE & REEL	0.76 GOLD
71741-0002	YES	YES	PK-70873-063	TAPE & REEL	0.25 GOLD
71741-0001	YES	NO	PK-70873-0607	TUBE	0.25 GOLD
ITEM NUMBER	PEGS	PICK & PLACE CAP	PACKAGING SPEC. NUMBER	PACKAGING TYPE	TERMINAL PLATING

PLATING

0.76 GOLD - 0.76 MICROMETERS MINIMUM GOLD PLATING IN CONTACT AREA, 1.90 MICROMETERS MINIMUM TIN PLATING IN TERMINAL AREA, OVER NICKEL PLATING OVERALL

0.25 GOLD - 0.25 MICROMETERS MINIMUM GOLD PLATING IN CONTACT AREA, 1.00 MICROMETERS MINIMUM TIN PLATING IN TERMINAL AREA, OVER NICKEL PLATING OVERALL

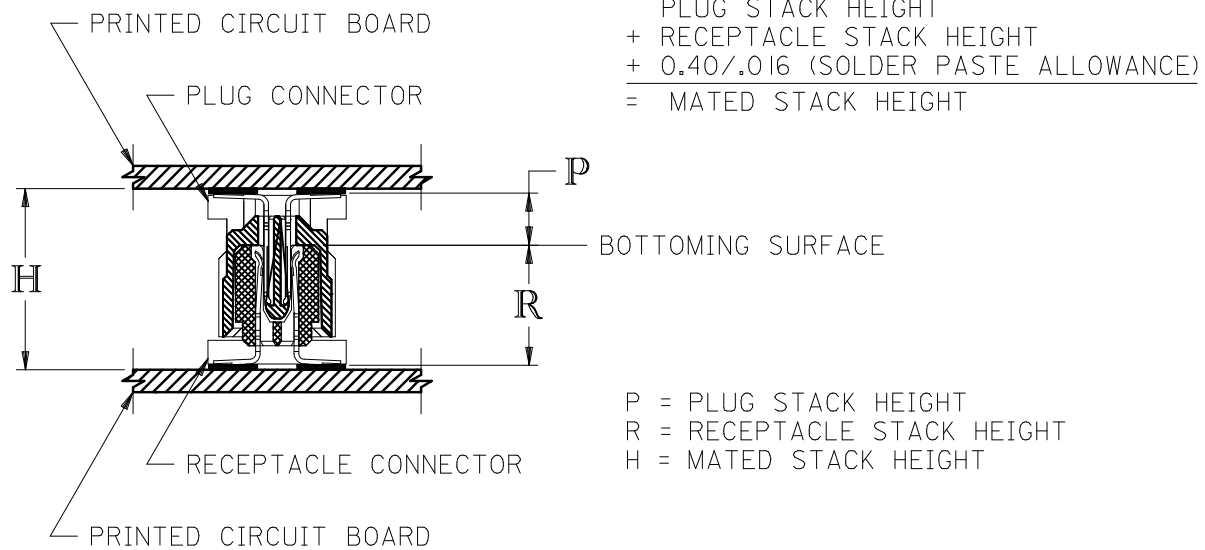
RECOMMENDED PCB LAYOUT (WITHOUT PEGS)

RECOMMENDED PCB THICKNESS: 1.0±0.1mm MIN.

ADD 12 MM STACK EC NO: UCP2009-2408 DR: WNBARKER 2009/04/20 CHK: DMORGAN 2009/04/20 APPR: SMILLER 2009/04/21	QUALITY SYMBOLS ▽=0 ▽=0	GENERAL TOLERANCES (UNLESS SPECIFIED)		DIMENSION STYLE MM ONLY		SCALE	DESIGN UNITS METRIC	THIRD ANGLE PROJECTION		
		4 PLACES ± --- ± ---	mm	INCH	DRAWN BY REED	DATE 96/07/15	TITLE	SALES ASSEMBLY, 1 MM 84 CKT, BTB PLUG 4.30 MM STACK HEIGHT MOLEX INCORPORATED		
		3 PLACES ± --- ± ---			CHECKED BY REED	DATE 96/07/15				
		2 PLACES ± 0.18 ± ---			APPROVED BY BIXLER	DATE 96/07/15				
		1 PLACE ± 0.33 ± ---	ANGULAR ± 1/2°		MATERIAL NO. SEE TABLE		DOCUMENT NO. SDA-71741-0***	SHEET NO. 1 OF 2		
DRAFT WHERE APPLICABLE MUST REMAIN WITHIN DIMENSIONS		SIZE		THIS DRAWING CONTAINS INFORMATION THAT IS PROPRIETARY TO MOLEX INCORPORATED AND SHOULD NOT BE USED WITHOUT WRITTEN PERMISSION						

RECOMMENDED PLUG/RECEPTACLE COMBINATION FOR
MATED STACK HEIGHT PER EIA STANDARD 700 AAAB

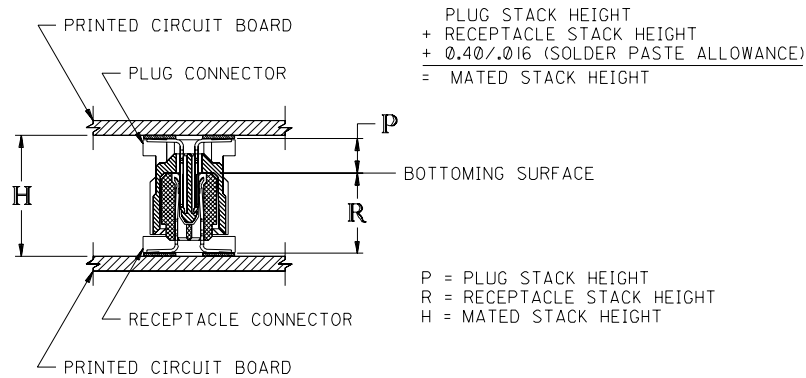
MATED STACK HEIGHT	RECEPTACLE HEIGHT	RECEPTACLE SERIES NO.	PLUG HEIGHT	PLUG SERIES NO.
10.00/.394	5.30/.209	71742-0***	4.30/.169	71741-0***
12.00/.472	7.30/.287	71742-2***		
15.00/.591	10.30/.406	71742-3***		



SEE SHEET 1 EC NO: UCP2009-2408 2009/04/20 DRWN:BBARKER 2009/04/20 CHKD:DMORGAN 2009/04/20 APPR:SMILLER 2009/04/21	QUALITY SYMBOLS	GENERAL TOLERANCES (UNLESS SPECIFIED) <table border="1"> <thead> <tr> <th></th> <th>mm</th> <th>INCH</th> </tr> </thead> <tbody> <tr> <td>4 PLACES</td> <td>± .005</td> <td>± .0005</td> </tr> <tr> <td>3 PLACES</td> <td>± .005</td> <td>± .0005</td> </tr> <tr> <td>2 PLACES</td> <td>± 0.18</td> <td>± .007</td> </tr> <tr> <td>1 PLACE</td> <td>± 0.33</td> <td>± .013</td> </tr> </tbody> </table> ANGULAR ±1/2°		mm	INCH	4 PLACES	± .005	± .0005	3 PLACES	± .005	± .0005	2 PLACES	± 0.18	± .007	1 PLACE	± 0.33	± .013	DIMENSION STYLE MM ONLY	SCALE 1:1	DESIGN UNITS METRIC	THIRD ANGLE PROJECTION
			mm	INCH																	
	4 PLACES		± .005	± .0005																	
	3 PLACES		± .005	± .0005																	
2 PLACES	± 0.18	± .007																			
1 PLACE	± 0.33	± .013																			
DRAWN BY REED	DATE 96/07/15	TITLE SALES ASSEMBLY, 1 MM 84 CKT, BTB PLUG 4.30 MM STACK HEIGHT																			
CHECKED BY REED	DATE 96/07/15	MOLEX INCORPORATED																			
APPROVED BY BIXLER	DATE 96/07/15	MATERIAL NO. SEE TABLE																			
DRAFT WHERE APPLICABLE MUST REMAIN WITHIN DIMENSIONS		DOCUMENT NO. SDA-71741-0***	SHEET NO. 2 OF 2																		
THIS DRAWING CONTAINS INFORMATION THAT IS PROPRIETARY TO MOLEX INCORPORATED AND SHOULD NOT BE USED WITHOUT WRITTEN PERMISSION																					

RECOMMENDED PLUG/RECEPTACLE COMBINATION FOR
MATED STACK HEIGHT PER EIA STANDARD 700 AAAB

MATED STACK HEIGHT	RECEPTACLE HEIGHT	RECEPTACLE SERIES NO.	PLUG HEIGHT	PLUG SERIES NO.
10.00/.394	5.30/.209	71742-0***	4.30/.169	71741-0***
15.00/.591	10.30/.406	71742-3***	4.30/.169	71741-0***



METRIC

REVISE ONLY ON CAD SYSTEM

UNLESS OTHERWISE SPECIFIED
TOLERANCES: ANGULAR ± 1/2°

	INCH	METRIC
3 PLACE	± ----	----
2 PLACE	± ----	± ----
1 PLACE	----	± ----

DRAFT WHERE APPLICABLE MUST
REMAIN WITHIN DIMENSIONS

TITLE: SALES ASSY, 1.0mm 84 CKT.
BOARD-TO-BOARD PLUG
4.30/.169 STACK HEIGHT

MOLEX INCORPORATED U.S.A.
L15LEJLL 60532

PART NO. SEE SHT 1
DRWG. NO. SDA-71741-0***

DATE: 98/12/28

FILE NAME: ST17410.DGN

THIS DRAWING CONTAINS INFORMATION THAT IS PROPRIETARY TO MOLEX INC. AND SHOULD NOT BE USED WITHOUT WRITTEN PERMISSION.

DIV. CPP
SIZE C

LTR.	REVISIONS	LTR.	REVISIONS
		D	SEE SHEET 1

DRWG. BY: KAS	CHK'D. BY: KAS
APP'D. BY: DJB	SCALE: NONE