

PLEASE CHECK WWW.MOLEX.COM FOR LATEST PART INFORMATION

Part Number: [1040001610](#)
Status: **Active**
Description: 1.02mm (.040") Tab Wire-to-Board Housing, Male, 16 Circuits

Documents:

[3D Model](#) [Product Specification PS-104000-001 \(PDF\)](#)
[Drawing \(PDF\)](#) [RoHS Certificate of Compliance \(PDF\)](#)

General

Product Family Crimp Housings
 Series [104000](#)
 Product Name N/A

Physical

Circuits (maximum) 16
 Color - Resin Natural, Yellow
 Gender Male
 Glow-Wire Compliant No
 Keying to Mating Part None
 Lock to Mating Part No
 Material - Resin Polyester
 Number of Rows 2
 Packaging Type Bag
 Panel Mount No
 Pitch - Mating Interface (in) 0.098 In
 Pitch - Mating Interface (mm) 2.50 mm
 Stackable No
 Temperature Range - Operating -30°C to +85°C

Electrical

Current - Maximum per Contact 10A

Material Info

Reference - Drawing Numbers

Product Specification PS-104000-001
 Sales Drawing SD-104000-001

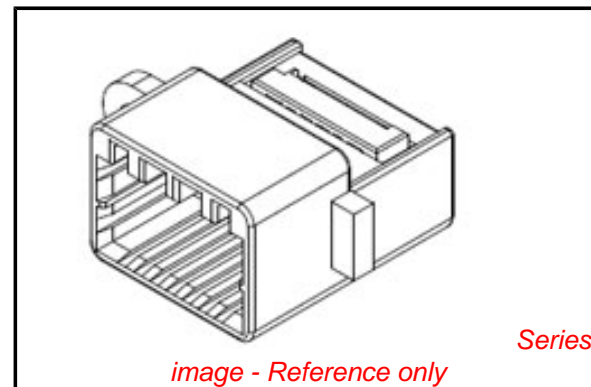


image - Reference only

EU RoHS

**ELV and RoHS
 Compliant**
REACH SVHC
 Not Reviewed
**Halogen-Free
 Status**

China RoHS



**Need more information on product
 environmental compliance?**

Email productcompliance@molex.com
 For a multiple part number RoHS Certificate of
 Compliance, [click here](#)

Please visit the [Contact Us](#) section for any
 non-product compliance questions.

Search Parts in this Series

[104000Series](#)

Mates With

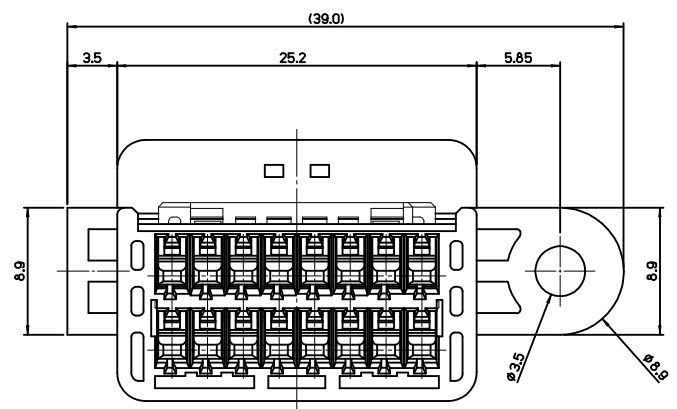
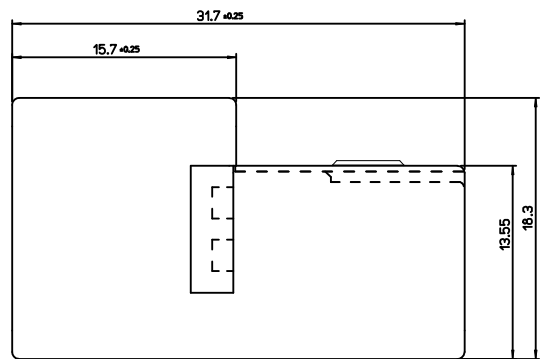
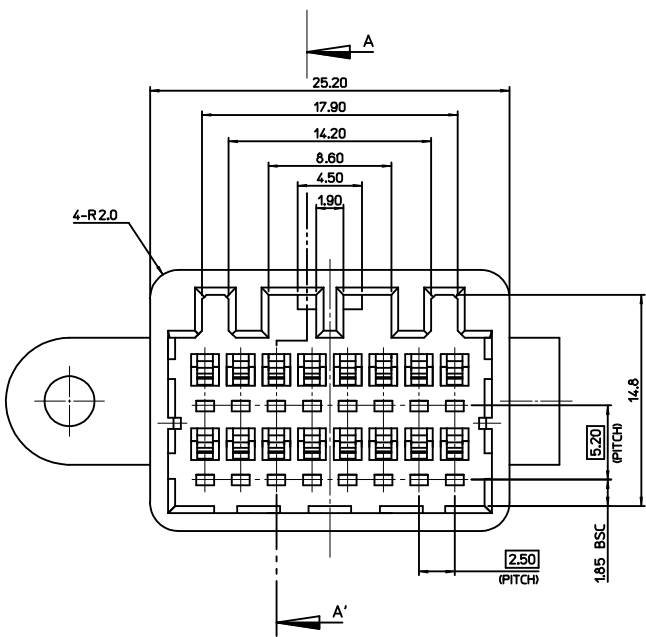
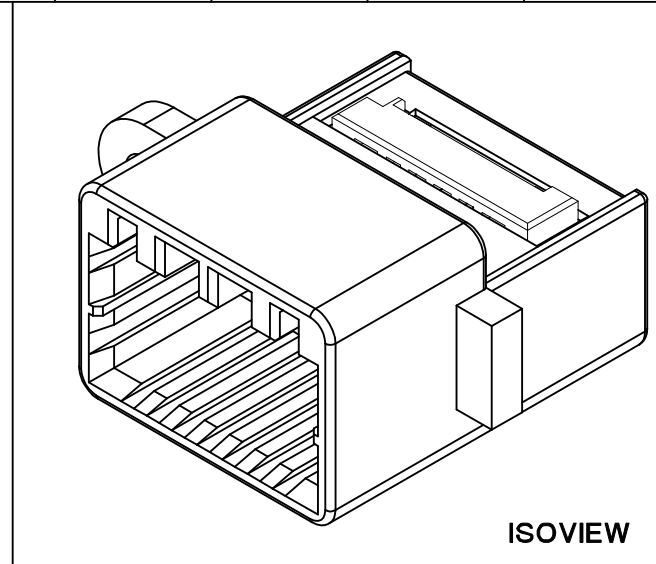
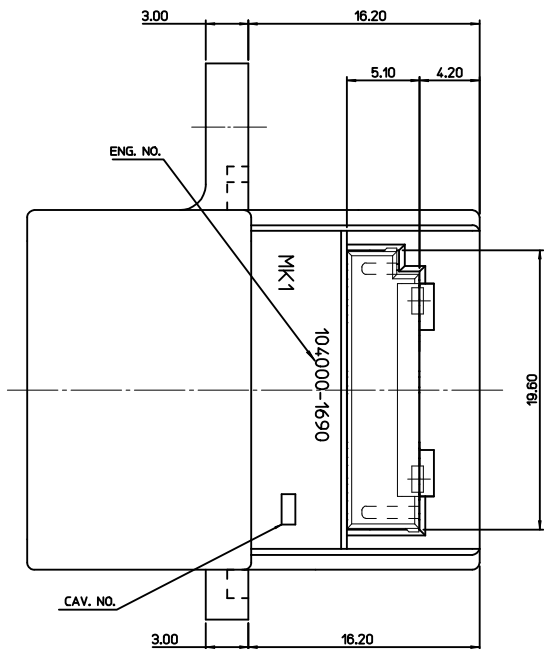
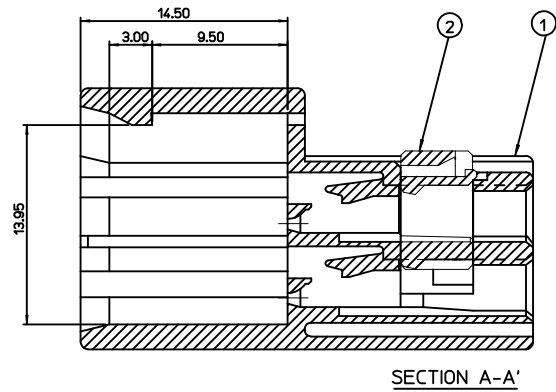
[355631615 Wire-to-Board Female Housing](#)

Use With

1.00mm (.040") Crimp Pin Terminal, Pre-
 Tinned Brass [506609001](#)

<PART LIST>

NO.	PART NAME	MATERIAL	USAGE	REMARK
①	MALE HSG 16P	POLYESTER	1	NATURAL
②	MALE TPA 16P	POLYESTER	1	YELLOW



- <NOTE>
1. APPLICABLE MALE TERMINAL : 50660-9001
 2. MATING FEMALE HOUSING ASS'Y : 35563-1615
 3. MATING FEMALE TERMINAL : 50654-1001

<TABLE 1>

104000-1610	104000-1610
MATERIAL NO.	ORDER NO.

NEW RELEASED IEC NO: KOR2009-0102 DRW: EOKIM 2009/04/07 CHK: BCYOON 2009/04/07 APPR: YUNSIKKIM 2009/04/07	QUALITY SYMBOLS ▽=0 ▽=0	GENERAL TOLERANCES (UNLESS SPECIFIED)		DIMENSION STYLE MM ONLY		SCALE 4:1	DESIGN UNITS METRIC	THIRD ANGLE PROJECTION																			
		<table border="1"> <thead> <tr> <th></th> <th>mm</th> <th>INCH</th> </tr> </thead> <tbody> <tr> <td>4 PLACES</td> <td>± ---</td> <td>± ---</td> </tr> <tr> <td>3 PLACES</td> <td>± ---</td> <td>± ---</td> </tr> <tr> <td>2 PLACES</td> <td>± 0.20</td> <td>± ---</td> </tr> <tr> <td>1 PLACE</td> <td>± 0.30</td> <td>± ---</td> </tr> <tr> <td colspan="3">ANGULAR ± 1 °</td> </tr> </tbody> </table>			mm	INCH	4 PLACES	± ---	± ---	3 PLACES	± ---	± ---	2 PLACES	± 0.20	± ---	1 PLACE	± 0.30	± ---	ANGULAR ± 1 °			DRAWN BY EOKIM	DATE 2008/03/06	TITLE 040 MIRROR MALE HOUSING ASS'Y 16P			
			mm	INCH																							
		4 PLACES	± ---	± ---																							
3 PLACES	± ---	± ---																									
2 PLACES	± 0.20	± ---																									
1 PLACE	± 0.30	± ---																									
ANGULAR ± 1 °																											
		CHECKED BY BCYOON	DATE 2008/03/06	MOLEX INCORPORATED																							
		APPROVED BY EHJUNG	DATE 2008/03/06	MATERIAL NO. SEE TABLE 1		DOCUMENT NO. SD-104000-001		SHEET NO. 1 OF 1																			

DRAFT WHERE APPLICABLE
MUST REMAIN
WITHIN DIMENSIONS

THIS DRAWING CONTAINS INFORMATION THAT IS PROPRIETARY TO MOLEX INCORPORATED AND SHOULD NOT BE USED WITHOUT WRITTEN PERMISSION