

**PLEASE CHECK WWW.MOLEX.COM FOR LATEST PART INFORMATION**

**Part Number:** [0747030407](#)  
**Status:** **Active**  
**Overview:** [hssdc2](#)  
**Description:** 1.27mm (.050") Pitch HSSDC2 Receptacle, Shielded, Right Angle, Single Row, 7 Circuits

**Documents:**

[3D Model](#) [Product Specification PS-74703-001 \(PDF\)](#)  
[Drawing \(PDF\)](#) [RoHS Certificate of Compliance \(PDF\)](#)

**Agency Certification**

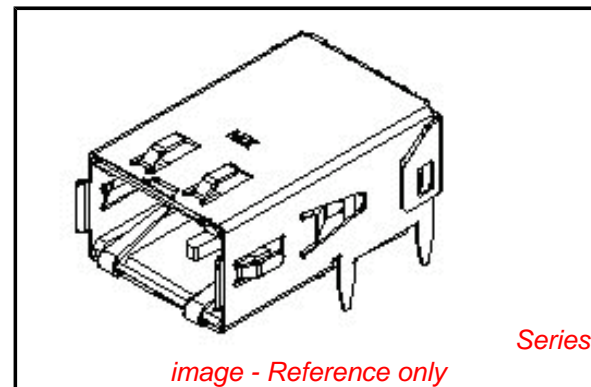
CSA LR19980  
 UL E29179

**General**

Product Family I/O Connectors  
 Series [74703](#)  
 Application Wire-to-Board  
 Component Type Receptacle  
 Overview [hssdc2](#)  
 Product Name HSSDC2  
 Type N/A

**Physical**

Boot Color N/A  
 Circuits (Loaded) 7  
 Circuits (maximum) 7  
 Color - Resin Natural  
 Durability (mating cycles max) 250  
 Flammability 94V-0  
 Gender Receptacle  
 Keying to Mating Part Yes  
 Lock to Mating Part Yes  
 Material - Metal High Performance Alloy (HPA)  
 Material - Plating Mating Gold  
 Material - Plating Termination Tin  
 Material - Resin High Temperature Thermoplastic  
 Number of Rows 1  
 Orientation Right Angle  
 PCB Locator Yes  
 PCB Retention Yes  
 PCB Thickness Recommended (in) 0.061 In, 0.092 In  
 PCB Thickness Recommended (mm) 1.57 mm, 2.36 mm  
 Packaging Type Embossed Tape on Reel  
 Panel Mount No  
 Pitch - Mating Interface (in) 0.050 In  
 Pitch - Mating Interface (mm) 1.27 mm  
 Pitch - Term. Interface (in) 0.050 In  
 Pitch - Term. Interface (mm) 1.27 mm  
 Polarized to Mating Part Yes  
 Polarized to PCB Yes  
 Ports 1  
 Surface Mount Compatible (SMC) Yes  
 Temperature Range - Operating -10°C to +60°C  
 Termination Interface: Style Surface Mount  
 Waterproof / Dustproof No



**EU RoHS**

**ELV and RoHS  
 Compliant**  
**REACH SVHC  
 Contains SVHC: No**  
**Halogen-Free  
 Status**

**China RoHS**



**Need more information on product  
 environmental compliance?**

Email [productcompliance@molex.com](mailto:productcompliance@molex.com)  
 For a multiple part number RoHS Certificate of Compliance, [click here](#)

Please visit the [Contact Us](#) section for any non-product compliance questions.

**Search Parts in this Series**

[74703Series](#)

**Mates With**

[73939](#)

Wire Size AWG	N/A
<b>Electrical</b>	
Current - Maximum per Contact	0.5A
Grounding to Panel	Press-Fit
Shield Type	Full Shield
Shielded	Yes
Voltage - Maximum	30V DC

#### **Solder Process Data**

Duration at Max. Process Temperature (seconds)	40
Lead-free Process Capability	Reflow Capable (SMT only)
Max. Cycles at Max. Process Temperature	3
Process Temperature max. C	245

#### **Material Info**

#### **Reference - Drawing Numbers**

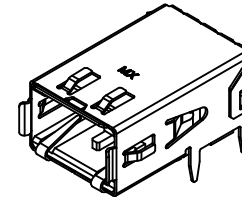
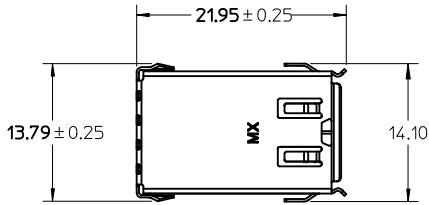
Packaging Specification	PK-74703-001
Product Specification	PS-74703-001
Sales Drawing	SD-74703-001

This document was generated on 05/27/2010

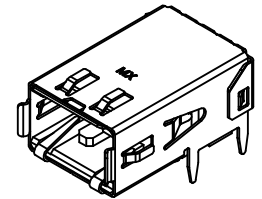
**PLEASE CHECK [WWW.MOLEX.COM](http://WWW.MOLEX.COM) FOR LATEST PART INFORMATION**

NOTES:

- MATERIALS: HOUSING - LIQUID CRYSTAL POLYMER, UL94 V-0, NATURAL  
TERMINAL - COPPER NICKEL SILICON ALLOY  
SHIELD - BRASS ALLOY
- FINISHES:  
TERMINAL: 1.27 MICROMETERS MINIMUM SELECT GOLD AND  
3.81 MICROMETERS MINIMUM SELECT TIN OVER  
NICKEL UNDERPLATE OVERALL.  
SHELL: 3.00 MICROMETERS MINIMUM TIN OVER  
NICKEL UNDERPLATE OVERALL.
- PACKAGE TAPE AND REEL PER PK-74703-001 AND  
PACKAGE TRAYS PER PK-74703-002.
- PART CONFORMS TO SPECIFICATION PS-74703-001.
- DROP-IN AND PRESS FIT ASSEMBLIES REQUIRED TO  
BE SOLDERED TO BOARD.



INFINIBAND KEYING  
WITH DROP-IN SHIELD

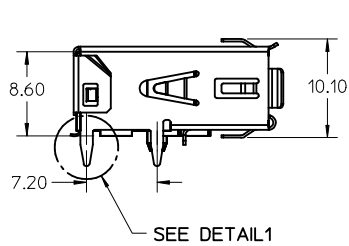


FIBRE CHANNEL KEYING  
WITH DROP-IN SHIELD

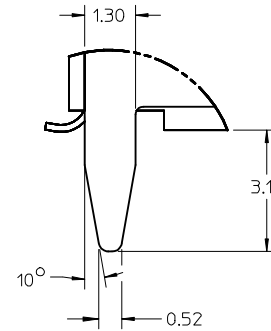
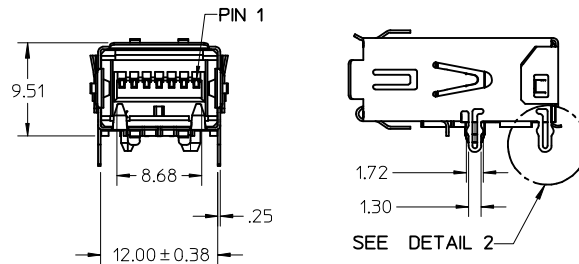
NOTE FOR LEAD FREE CONVERSION:

THE PRIMARY SHIPPING CARTON WILL BE LABELED "COMPLIANT TO RoHS DIRECTIVE 2002/95/EC AND ELV ANNEX II OF DIRECTIVE 2000/53/EC". CARTONS WITHOUT THIS LABEL MAY CONTAIN PRODUCT WITH LEAD.

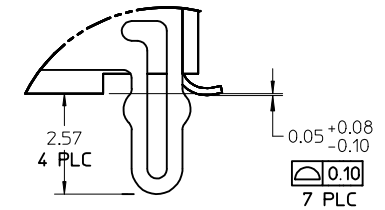
DROP-IN SHIELD



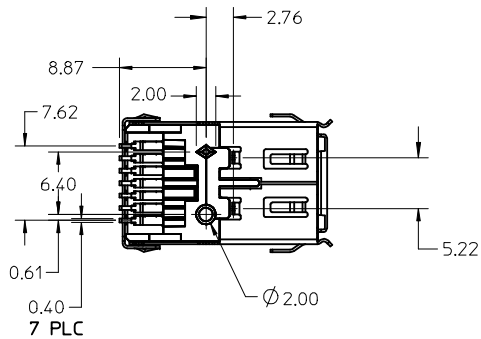
PRESS-FIT SHIELD



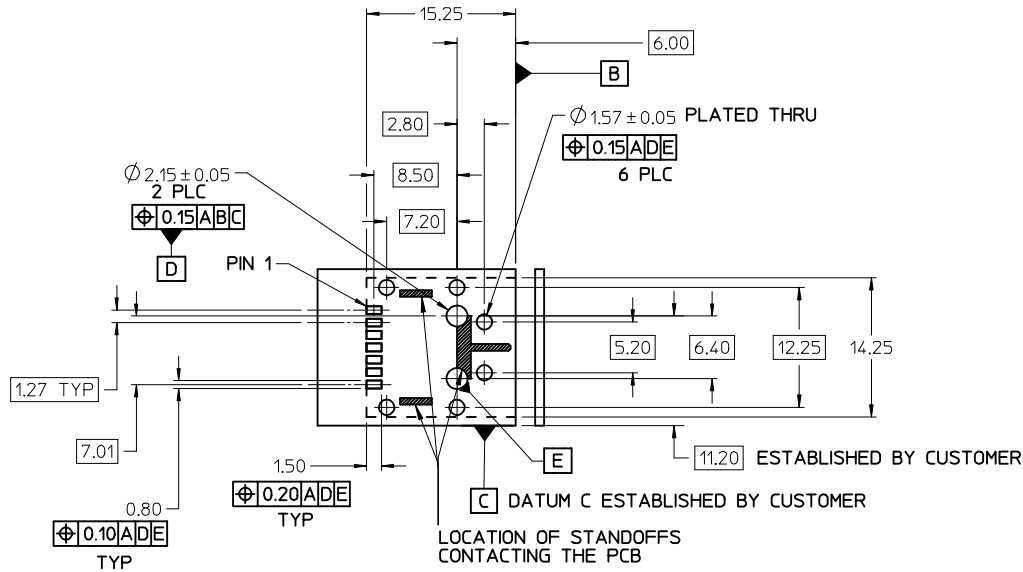
DETAIL 1  
SCALE 8:1



DETAIL 2  
SCALE 8:1

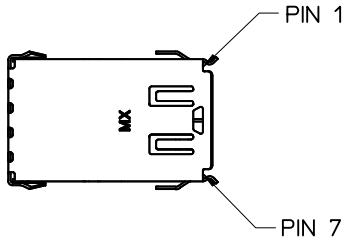


<b>MODIFY TOLERANCE</b> EC NO: UCP2009-1117 DR:WINSIBARRA 2008/10/29 CHK:D:MORGAN 2008/10/29 APPR:SMILLER 2008/10/30	QUALITY SYMBOLS ▽=0 ▽=0	GENERAL TOLERANCES (UNLESS SPECIFIED)		DIMENSION STYLE		SCALE	DESIGN UNITS	THIRD ANGLE PROJECTION		
				MM ONLY		2:1	METRIC			
		4 PLACES	± ---	± ---	DRAWN BY	DATE	TITLE SALES DRAWING HSSDC2 RECEPTACLE ASSEMBLY			
		3 PLACES	± ---	± ---	KSTILES	10/06/2000				
2 PLACES	± 0.13	± ---	CHECKED BY	DATE	Molex MOLEX INCORPORATED					
1 PLACE	± 0.25	± ---	RSFOX	10/09/2000						
ANGULAR ± 3°		APPROVED BY		DATE	DOCUMENT NO.		SD-74703-001			
DRAFT WHERE APPLICABLE MUST REMAIN WITHIN DIMENSIONS		DBRINKMA		10/12/2000	MATERIAL NO.					SHEET NO.
H1		REV		SEE TABLE		SD-74703-001		1 OF 3		
THIS DRAWING CONTAINS INFORMATION THAT IS PROPRIETARY TO MOLEX INCORPORATED AND SHOULD NOT BE USED WITHOUT WRITTEN PERMISSION										

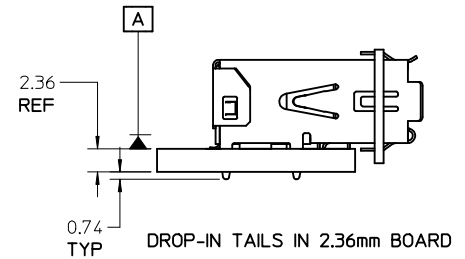
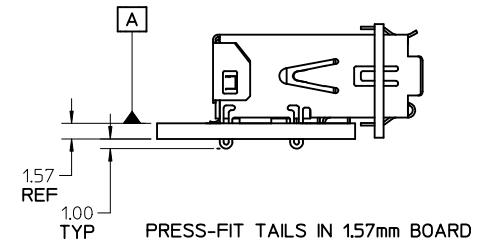
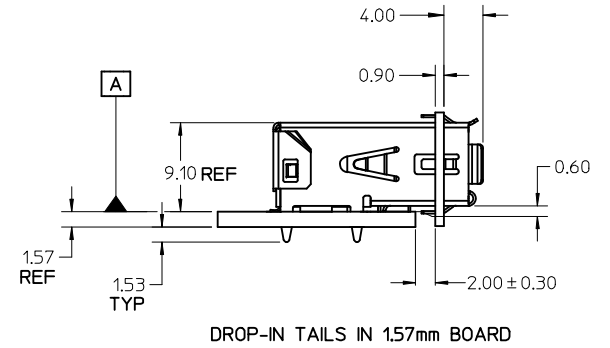


RECOMMENDED PCB LAYOUT  
COMPONENT SIDE SHOWN

THE ENTIRE AREA OF THE CONNECTOR FOOTPRINT TO BE CONSIDERED THE KEEP OUT AREA (FOR COMPONENTS). THIS AREA IS INDICATED BY THE DASHED LINE.

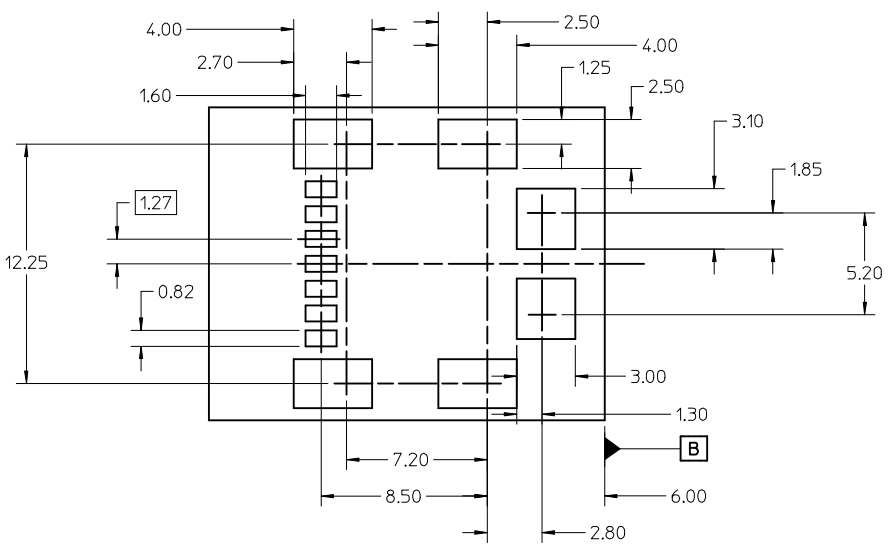


PIN NO.	INFINIBAND	FIBRE CHANNEL
1	G	G
2	R+	R-
3	R-	R+
4	G	G
5	T-	T+
6	T+	T-
7	G	G

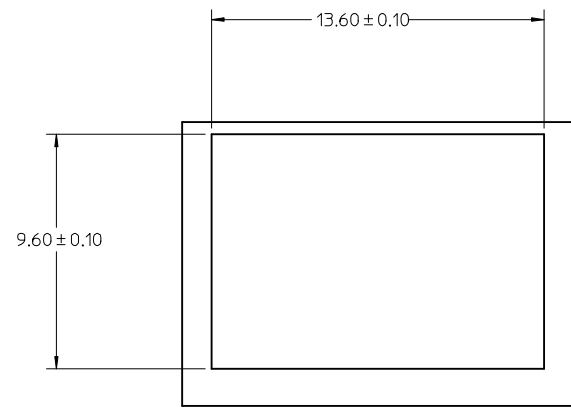


SEE SHEET 1 EC NO: UCP2009-1117 DRAWNS: IBARRA 2008/10/29 CHKD: DMORGAN 2008/10/29 APPR: SMILLER 2008/10/30 H1	QUALITY SYMBOLS ▽=0 ▽=0	GENERAL TOLERANCES (UNLESS SPECIFIED)		DIMENSION STYLE		SCALE	DESIGN UNITS	THIRD ANGLE PROJECTION			
				MM ONLY		2:1	METRIC				
				DRAWN BY DATE		TITLE		SALES DRAWING HSSDC2 RECEPTACLE ASSEMBLY MOLEX INCORPORATED			
				CHECKED BY DATE							
		APPROVED BY DATE		MATERIAL NO.		DOCUMENT NO.		SHEET NO.			
		ANGULAR ± 3 °		DBRINKMA 10/12/2000		SD-74703-001		2 OF 3			
		DRAFT WHERE APPLICABLE MUST REMAIN WITHIN DIMENSIONS		SEE TABLE		THIS DRAWING CONTAINS INFORMATION THAT IS PROPRIETARY TO MOLEX INCORPORATED AND SHOULD NOT BE USED WITHOUT WRITTEN PERMISSION					

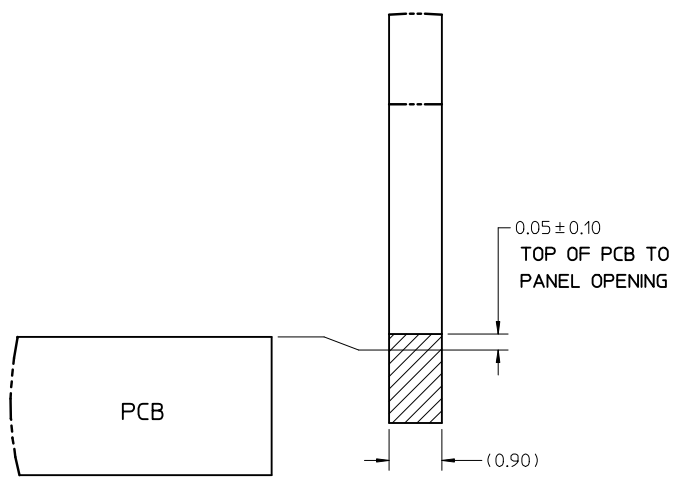
CKT. SIZE	MATERIAL NUMBER		KEYING OPTION	SHIELD OPTION
	TAPE/REEL	TRAY		
7	74703-0007	74703-0017	INFINIBAND	DROP-IN
7	74703-0107	74703-0117	FIBRE CHANNEL	DROP-IN
7	74703-0307	74703-0317	INFINIBAND	PRESS-FIT
7	74703-0407	74703-0417	FIBRE CHANNEL	PRESS-FIT



RECOMMENDED SMT STENCIL LAYOUT



RECOMMENDED PANEL OPENING



PARTIAL1 SCALE 12:1

SEE SHEET 1 EC NO: UCP2009-1117 DRAWN: MS.BARRA 2008/10/29 CHKD: DMORGAN 2008/10/29 APPR: SMILLER 2008/10/30	QUALITY SYMBOLS	GENERAL TOLERANCES (UNLESS SPECIFIED)	DIMENSION STYLE	SCALE	DESIGN UNITS	THIRD ANGLE PROJECTION	
	▼=0 ▽=0	mm INCH 4 PLACES ± --- ± --- 3 PLACES ± --- ± --- 2 PLACES ± 0.13 ± --- 1 PLACE ± 0.25 ± --- ANGULAR ± 3°	MM ONLY	2:1	METRIC		
		DRAFT WHERE APPLICABLE MUST REMAIN WITHIN DIMENSIONS	DRAWN BY DATE	TITLE SALES DRAWING HSSDC2 RECEPTACLE ASSEMBLY			
			KSTILES 10/06/2000				
		CHECKED BY DATE	MOLEX INCORPORATED SD-74703-001				
		RSFOX 10/09/2000					
		APPROVED BY DATE	DOCUMENT NO.				
		DBRINKMA 10/12/2000					
		MATERIAL NO.	SHEET NO. 3 OF 3				
		SIZE B					
		THIS DRAWING CONTAINS INFORMATION THAT IS PROPRIETARY TO MOLEX INCORPORATED AND SHOULD NOT BE USED WITHOUT WRITTEN PERMISSION					