

PLEASE CHECK WWW.MOLEX.COM FOR LATEST PART INFORMATION

Part Number: [0357181210](#)
Status: **Active**
Description: Quick Disconnect Flag Terminal for 1.31-0.52mm² (18-20 AWG) Wire, Accepts 4.75mm (.189") x 0.81mm (.032") Tab, Post-Tin Plated

Documents:

[Drawing \(PDF\)](#) [RoHS Certificate of Compliance \(PDF\)](#)
[Product Specification PS-35718-1210 \(PDF\)](#)

Agency Certification

CSA	LR95446
TUV	R9451159
UL	E92853

General

Product Family	Quick Disconnects
Series	35718
Crimp Quality Equipment	Yes
Product Name	Slip-On
Type	Quick Disconnect

Physical

Barrel Type	Open
Gender	Female
Glow-Wire Compliant	No
Insulation	None
Lock to Mating Part	Yes
Material - Metal	Brass
Material - Plating Mating	Tin
Material - Plating Termination	Tin
Orientation	Flag
Packaging Type	Reel
Plating min: Mating (µin)	40
Plating min: Mating (µm)	1
Plating min: Termination (µin)	40
Plating min: Termination (µm)	1
Polarized to Mating Part	Yes
Tab Thickness	0.81mm (.032")
Tab Width	4.75mm (.187")
Temperature Range - Operating	-40°C to +105°C
Termination Interface: Style	Crimp or Compression
Wire Insulation Diameter	3.10mm (.122") max.
Wire Size AWG	16, 18, 20, 22, 24
Wire Size mm ²	0.50 - 1.30

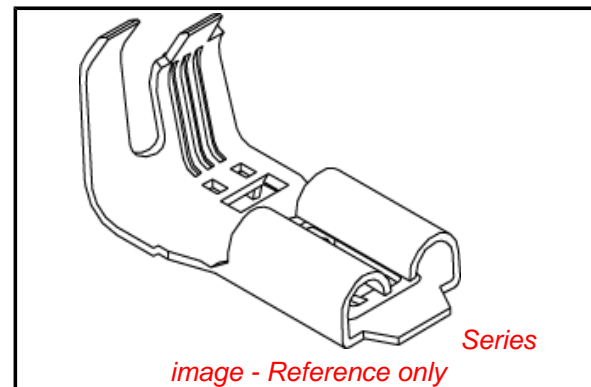
Electrical

Voltage - Maximum	250V
-------------------	------

Material Info

Reference - Drawing Numbers

Product Specification	PS-35718-1210
Sales Drawing	SD-35718-12*0



EU RoHS

ELV and RoHS Compliant
REACH SVHC
Contains SVHC: No
Halogen-Free Status

China RoHS



Need more information on product environmental compliance?

Email productcompliance@molex.com
 For a multiple part number RoHS Certificate of Compliance, [click here](#)

Please visit the [Contact Us](#) section for any non-product compliance questions.

Search Parts in this Series

35718Series

Application Tooling | FAQ

Tooling specifications and manuals are found by selecting the products below. Crimp Height Specifications are then contained in the Application Tooling Specification document.

Japan

Description	Product #
End-Feed Applicator	0573453300

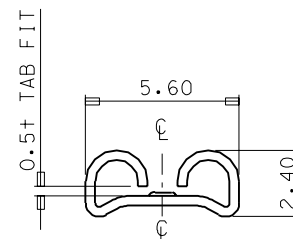
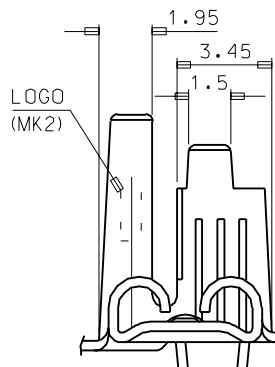
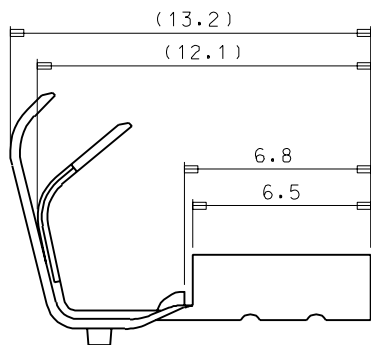
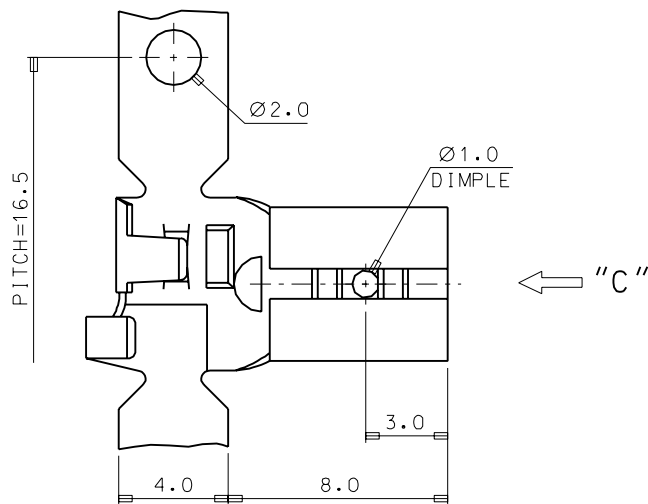
PLEASE CHECK WWW.MOLEX.COM FOR LATEST PART INFORMATION

ENG. NO SD 35718-12**

EDP NO.

SIMILAR ITEM

PROJECT NO.



VIEW "C"

- NOTES
- MATERIAL : 35718-12*0 (BRASS)
35718-12*1 (PHOSPHOR BRONZE)
 - THICKNESS : 0.35mm
 - FINISH : 35718-120* (UNPLATED)
35718-121* (POST PLATED TIN)
 - GENERAL TOLERANCE : 1PLCS : ± 0.3
2PLCS : ± 0.2

WIRE RANGE AWG #20 - #16 (0.52-1.31mm ²)				MATERIAL SEE NOTES				MOLEX-KOREA CO.,LTD.	
INSULATION RANGE Ø 3.1 MAX.				GENERAL TOLERANCE DIMENSION : ANGLE :				DRAWN BY W. Y. YANG	
DIE FEED: ---				DIMENSION CLASSIFICATION ▽ : CRITICAL ▼ : MAJOR () : REFERENCE				CHK'D BY	
APPLICATOR FEED: 16.5				ASS'Y PART DESCRIPTION ENG. NO.				SCALE 6/1	
O'TY/ REEL OR PACK 4,000 O'TY/REEL				REVISE ONLY ON CAD SYSTEM				TITLE: .187 FLAG RECEPTACLE	
B REVISED KOR7 97 7.16 -0085				APP'D BY				SHEET 1 of 1	
A NEW RELEASED 93-003 93 2.27				ENG. NO. SD 35718-12**				REV B	
LTR REVISION RECORD ECN DATE									