

PLEASE CHECK WWW.MOLEX.COM FOR LATEST PART INFORMATION

Part Number: [0850426103](#)
Status: **Active**
Overview: [din_41612](#)
Description: 2.54mm (.100") Pitch DIN 41612 Receptacle, Style C/2, 32 Circuits

Documents:

[3D Model](#) [RoHS Certificate of Compliance \(PDF\)](#)
[Drawing \(PDF\)](#)

Agency Certification

CSA LR19980
 UL E29179

General

Product Family Backplane Connectors
 Series [85042](#)
 Application Daughtercard
 Component Type PCB Receptacle
 Overview [din_41612](#)
 Product Name IEC 603-2/DIN 41612
 Style C/2

Physical

Circuits (Loaded) 32
 Circuits (maximum) 48
 Circuits Detail Rows A & C
 Durability (mating cycles max) 50
 First Mate / Last Break No
 Flammability 94V-0
 Guide to Mating Part No
 Keying to Mating Part Yes
 Number of Columns 16
 Number of Pairs Open Pin Field
 Number of Rows 3
 Orientation Vertical
 PC Tail Length (in) 0.114 In
 PC Tail Length (mm) 2.90 mm
 PCB Locator No
 PCB Retention Yes
 Packaging Type Tray
 Pitch - Mating Interface (in) 0.100 In
 Pitch - Mating Interface (mm) 2.54 mm
 Pitch - Term. Interface (in) 0.100 In
 Pitch - Term. Interface (mm) 2.54 mm
 Polarized to PCB Yes
 Stackable No
 Surface Mount Compatible (SMC) No
 Temperature Range - Operating -55°C to +125°C

Electrical

Current - Maximum per Contact 2.5A
 Data Rate 622.0 Mbps
 Real Signals (per 25mm) 29
 Shielded No
 Voltage - Maximum 250V AC (RMS)

Material Info

EU RoHS **China RoHS**

Compliance Status

Not Reviewed

REACH SVHC

Not Reviewed

Halogen-Free

Status

Not Reviewed

Need more information on product environmental compliance?

Email productcompliance@molex.com
 For a multiple part number RoHS Certificate of Compliance, [click here](#)

Please visit the [Contact Us](#) section for any non-product compliance questions.

Search Parts in this Series

[85042Series](#)

Mates With

DIN 41612 Headers [85003](#) , [85013](#)

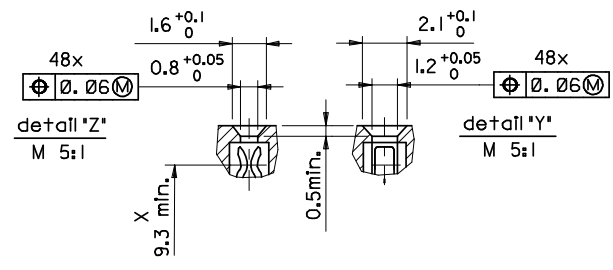
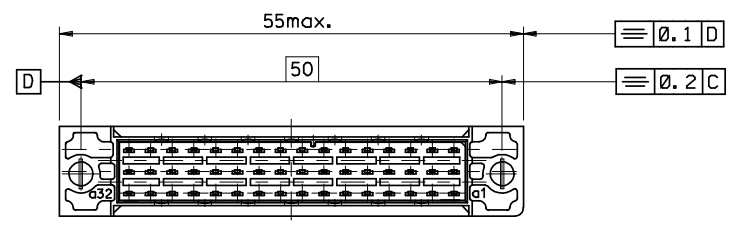
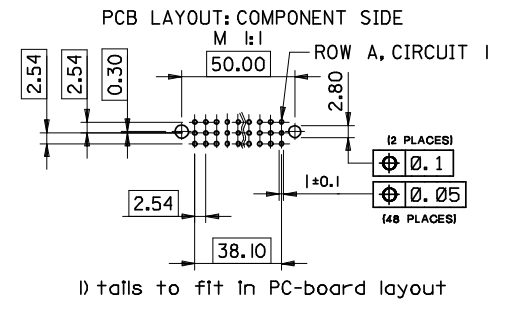
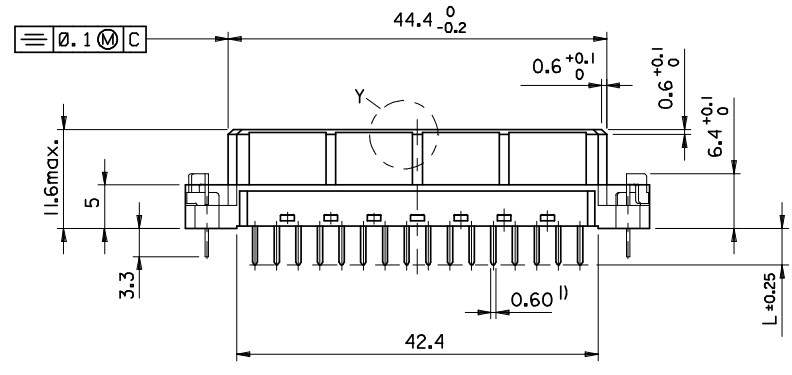
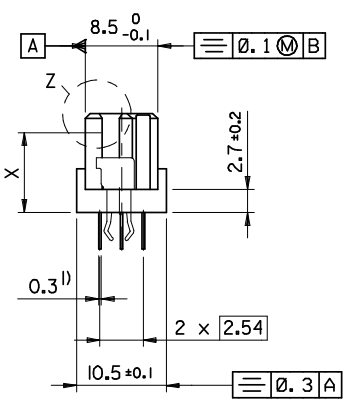
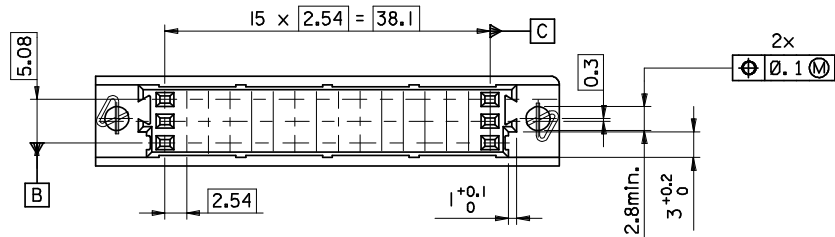
Reference - Drawing Numbers

Sales Drawing

SD-85042-0002, SDA-85042-6103

This document was generated on 05/17/2010

PLEASE CHECK WWW.MOLEX.COM FOR LATEST PART INFORMATION



ENTER DESCRIPTION EC NO: 12009-008Z 2008/08/20 DRWNS:J CHKD:KPRASAD 2008/08/25 APPR:KPRASAD 2008/08/26	QUALITY SYMBOLS ▽=0 ▽=0	GENERAL TOLERANCES (UNLESS SPECIFIED)		DIMENSION STYLE MM ONLY		SCALE ---	DESIGN UNITS METRIC	THIRD ANGLE PROJECTION	
		4 PLACES ±--- ±--- 3 PLACES ±--- ±--- 2 PLACES ±--- ±--- 1 PLACE ±--- ±--- ANGULAR ±---°	mm INCH ±--- ±--- ±--- ±--- ±--- ±--- ±--- ±---	DRAWN BY SUMESH	DATE 2008/08/13	TITLE 48 POS. FEMALE CONNECTOR DIN 41612, STYLE C/2 DIMENSIONS	MOLEX INCORPORATED		
DRAFT WHERE APPLICABLE MUST REMAIN WITHIN DIMENSIONS	MATERIAL NO. 850426115		APPROVED BY KPRASAD	DATE 2008/08/13	DOCUMENT NO. SD-85042-0002		SHEET NO. 1 OF 1		
SIZE A2		THIS DRAWING CONTAINS INFORMATION THAT IS PROPRIETARY TO MOLEX INCORPORATED AND SHOULD NOT BE USED WITHOUT WRITTEN PERMISSION							

VIEW ON MATING SIDE

U	A	A	A	A	A	A	A	A	A	A	A	A	A	A	A
∞															
◁	A	A	A	A	A	A	A	A	A	A	A	A	A	A	A

1 2 3 4 5 6 7 8 9 10 11 12 13 14 15 16 17 18 19 20 21 22 23 24 25 26 27 28 29 30 31 32

A = 32 STANDARD CONTACTS L-2,9

Marking	Standard
Performance level	G3/0 = Contact area level3 / Termination tin
Flux proof	no
Fixing clip	no
Dimensions	SDA-85042-0002 sht.1
Technical Data	PS-85042-0001

A	G3/0	a1-16	c1-16
Contact symbol	Perform. level	Contact position number	

ECN 2348 first release	REVISIONS		FOR PREVIOUS REVISIONS SEE MRI LIST	
	LTR	REVISIONS		
UNLESS OTHERWISE SPECIFIED TOLERANCES: ANGULAR ± 2°		DRWG BY	KN	SIGN
INCH		CHK'D BY	Ca	SIGN
METRIC		APP'D BY	JB	SIGN
3 PLACE ± .	±	SCALE		
2 PLACE ± .	±	DESIGN DIMENSION <input type="checkbox"/> MM <input type="checkbox"/> IN.		
1 PLACE ± .	±	EQUIVALENT DIMENSION <input type="checkbox"/> MM <input type="checkbox"/> IN.		
DRAFT WHERE APPLICABLE MUST REMAIN WITHIN DIMENSIONS		IF TWO DIMENSIONS ARE SHOWN, THE UPPER IS THE DESIGN DIMENSION, LOWER IS SECONDARY		
REVISE ONLY ON CAD SYSTEM		SH. REV.		
CAD/CAM PROJECT NAME		THIS DRAWING CONTAINS INFORMATION THAT IS PROPRIETARY TO MOLEX INC. & SHOULD NOT BE USED WITHOUT WRITTEN PERMISSION		
s8504261		SO1		
TITLE		SHEET NO.		DATE
48 pos. female connector acc. DIN 41612 style C/2 contacts arrangement		1 OF 1		96/12/05
MOLEX EUROPE		DWG NO.		SIZE
PART NO.		SDA-85042-6103		A
85042-6103				