

MIC-3753/3753R

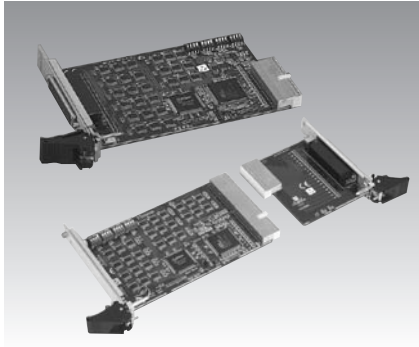
MIC-3756

MIC-3758

72-ch Digital I/O CPCI Cards

64-ch Isolated Digital I/O CPCI Card

128-ch Isolated Digital I/O CPCI Card



MIC-3753R/3

MIC-3753/3



Specifications

Digital Input

- Channels 72 (shared with output)
- Compatibility 5 V/TTL
- Input Voltage Logic 0: 0.8 V max.
Logic 1: 2.0 V min.
- Interrupt Capable Ch. 6 (2 for each C port)

Digital Output

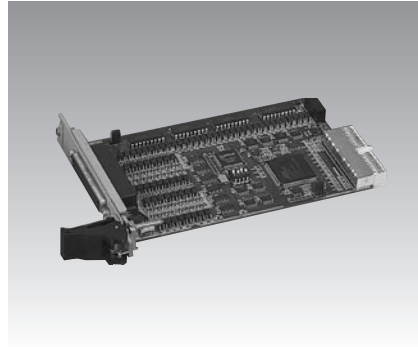
- Channels 72 (shared with input)
- Compatibility 5 V/TTL
- Output Voltage Logic 0: 0.44 V max. @ 24 mA
Logic 1: 3.76 V min. @ 24 mA
Sink: 0.44 V max. @ 24 mA
Source: 3.76 V min. @ 24 mA
- Output Capability

General

- PICMG Compliance CompactPCI V2.0, R 2.1
Hot-Swap V2.1, R 2.0
- Bus Type CompactPCI
- I/O Connectors 1 x 78-pin D-type female connector
- Dimensions 160 x 100 mm (6.9" x 3.9") with 3U Bracket
- Power Consumption Typical: +5 V @ 400 mA
Max.: +5 V @ 0.7 A
- Operating Temperature 0 ~ 60° C (32 ~ 140° F)
(refer to IEC 68-2-1, 2)
- Operating Humidity 5 ~ 95% RH, non-condensing
(refer to IEC 68-2-3)
- Storing Temperature -20 ~ 70° C (-4 ~ 158° F)
- Certifications CE

Ordering Information

- MIC-3753/3 3U CompactPCI 72-ch Digital I/O card
- MIC-3753R/3 3U CompactPCI 72-ch Digital I/O card with Rear I/O support
- PCL-10178-1 DB-78 cable assembly, 1 m
- ADAM-3978 DB-78 wiring terminal for DIN-rail mounting



MIC-3756/3



Specifications

Isolated Digital Input

- Channels 32
- Input Voltage Logic 0: 2 V max.
Logic 1: 10 V min.
(50 V max.)
- Interrupt Capable Ch. 2 (DI00, DI16)
- Isolation Protection 2,500 V_{DC}
- Input Resistance 5.7kΩ

Isolated Digital Output

- Channels 32
- Output Type Sink (NPN)
- Isolation Protection 2,500 V_{DC}
- Output Voltage 5 ~ 40 V_{DC}
- Sink Current 100 mA max./channel
- Opto-Isolator Response OFF delay (±20%) 5 μs
ON delay (±20%) 120 μs

Photocouple Response Time

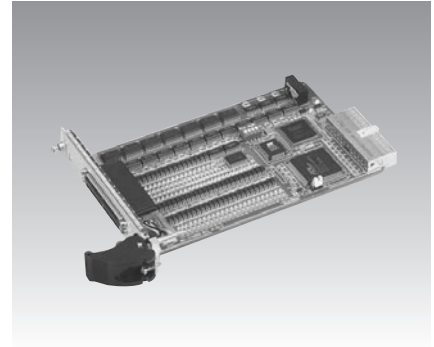
Input Voltage	*OFF delay (±20%)	*ON delay (±20%)
12 V	120 μs	10 μs
24 V	140 μs	5 μs
30 V	150 μs	4 μs
50 V	200 μs	4 μs

General

- PICMG Compliance CompactPCI V2.0, R 3.0
Hot-Swap V2.1, R 2.0
- Bus Type CompactPCI
- I/O Connectors 1 x 78-pin D-type female connector
- Dimensions 160 x 100 mm (6.9" x 3.9") with 3U Bracket
- Power Consumption Typical: 5 V @ 220 mA
Max: 3.3 V @ 260 mA
- Operating Temperature 0 ~ 60° C (32 ~ 140° F)
(refer to IEC 68-2-1, 2)
- Operating Humidity 5 ~ 95% RH, non-condensing
(refer to IEC 68-2-3)
- Storing Temperature -20 ~ 70° C (-4 ~ 158° F)
- Certifications CE

Ordering Information

- MIC-3756/3 3U 64-channel isolated digital I/O Card
- PCL-10178-1 DB-78 cable assembly, 1 m
- ADAM-3978 DB-78 wiring terminal for DIN-rail mounting



MIC-3758/3



Specifications

Isolated Digital Input

- Channels 64
- Input Voltage Logic 0: 2.5 V max.
Logic 1: 5 V min. (25 V max)
- Interrupt Capable Ch. 64
- Isolation Protection 2500 V_{DC}
- Opto-Isolator Response 50 μs
- Input Resistance 3 kΩ

Isolated Digital output

- Channels 64
- Output Type Sink (NPN)
- Isolation Protection 2500 V_{DC}
- Output Voltage 5 ~ 40 V_{DC}
- Sink Current 90 mA max./Channel
- Opto-isolator Response 50 μs

General

- Bus Interface CPCI bus spec. 2.1 compliant
- I/O Connectors 1 x MINI-SCSII HDRA-E100 Female
- Board Dimensions CPCI 3U (160 mm x 100 mm)
- Power Consumption Typical: +5 V @ 800 mA,
+3.3 V @ 600 mA
Max: +5 V @ 1 A, +3.3 V @ 1 A
- Operating Temperature 0 ~ 60° (32 ~ 140° F)
(IEC 68-2-1,2)
- Storing Temperature -20° ~ 70° °C (-4° ~ 158° F)
- Storing Humidity 5 ~ 95% (IEC 68-2-3)
non-condensing

Ordering Information

- MIC-3758/3 3U CompactPCI 128-ch isolated Digital I/O card
- PCL-101100S-1 100-pin SCSI Cable, 1 m
- ADAM-39100 100-pin SCSI wiring terminal, DIN-rail mounting