

CN036S Series

2-Way Miniature Connector (SMT Socket)

Specifications

Insulation Resistance: 250MΩ min. at 100V DC
 Withstanding Voltage: 250V AC rms for 1 minute
 Contact Resistance: 30mΩ max. at 10mA / 20mV max.
 Voltage Rating: 50V AC rms
 Current Rating: 1A
 Operating Temperature Range: -55°C to +85°C
 Mating Cycles: 50 insertions / extractions

Part Number (Details)


CN036S - 02 - 100 *

Series No. (socket)

Contact Type:

- 1 = J-Lead Contacts
- 2 = Gull-wing Contacts

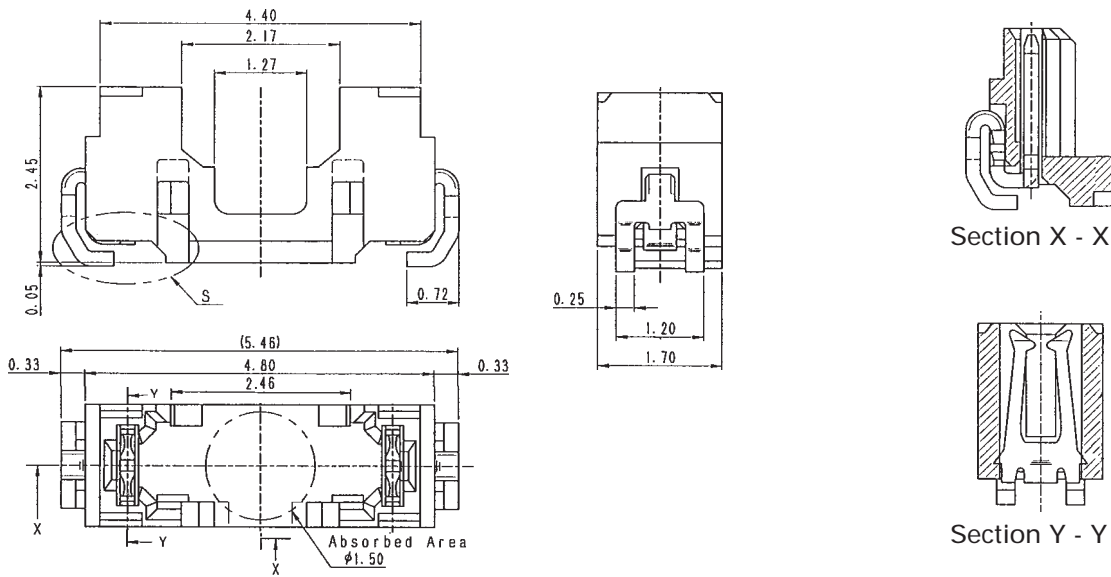
Materials and Finish

Housing: LCP (glass filled), UL 94V-0 listed 
 Contact Plating: Au 0.1μm over Ni 2.0μm

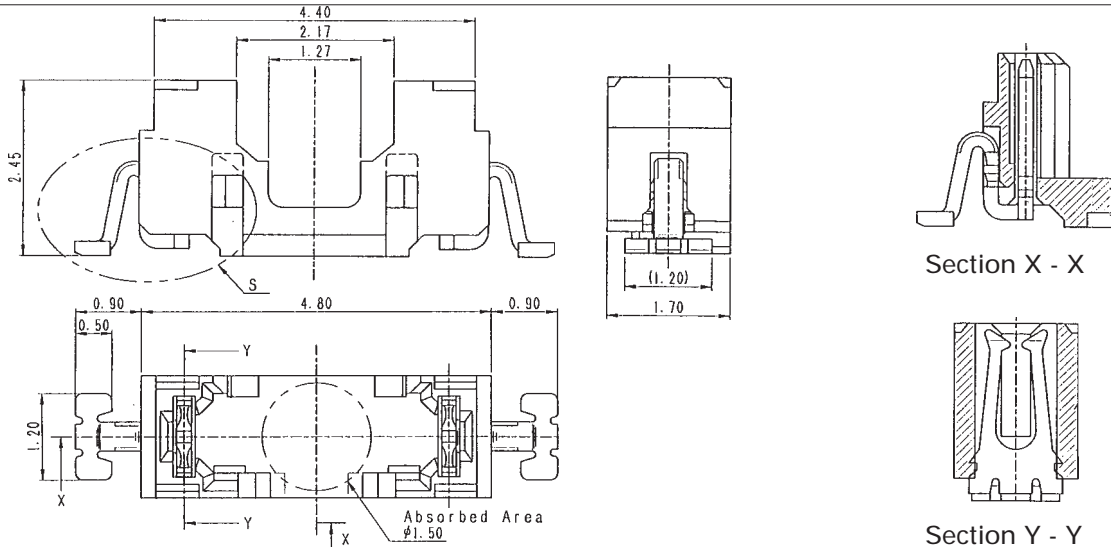
Info: Matching cable connector with pre-assembled cable also available
 minimum order quantity = 50K pcs.



Outline Socket Dimensions - CN036S-02-1001



Outline Socket Dimensions - CN036S-02-1002



Recommended PCB Layouts

