

PLEASE CHECK WWW.MOLEX.COM FOR LATEST PART INFORMATION

Part Number: [0357990490](#)
Status: **Active**
Description: 1.78mm (.070") Tab Wire-to-Board Housing, Female, 4 Circuits

Documents:

[Drawing \(PDF\)](#) [RoHS Certificate of Compliance \(PDF\)](#)
[Product Specification PS-35798-001 \(PDF\)](#)

General

Product Family Crimp Housings
Series [35799](#)
Product Name N/A

Physical

Circuits (maximum) 4
Gender Female
Glow-Wire Compliant No
Number of Rows 2
Packaging Type Bag
Panel Mount No
Pitch - Mating Interface (in) 0.236 In, 0.315 In
Pitch - Mating Interface (mm) 6.00 mm, 8.00 mm
Stackable No
Temperature Range - Operating -40°C to +120°C

Material Info

Reference - Drawing Numbers

Product Specification PS-35798-001
Sales Drawing SD-35799-002

EU RoHS

**ELV and RoHS
Compliant**

REACH SVHC

Not Reviewed

Halogen-Free

Status

Not Reviewed

China RoHS



**Need more information on product
environmental compliance?**

Email productcompliance@molex.com
For a multiple part number RoHS Certificate of
Compliance, [click here](#)

Please visit the [Contact Us](#) section for any
non-product compliance questions.

Search Parts in this Series

[35799Series](#)

Mates With

[35798](#)

Use With

[57963](#)

DO NOT SCALE DRAWING
DIMENSION IN METRIC

B

C

PROJECT NO.

SIMILAR ITEM

DWG. NO.
SD-35799-002

8

7

6

5

4

3

2

1

F

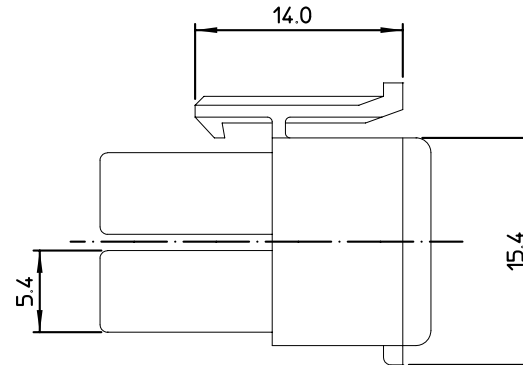
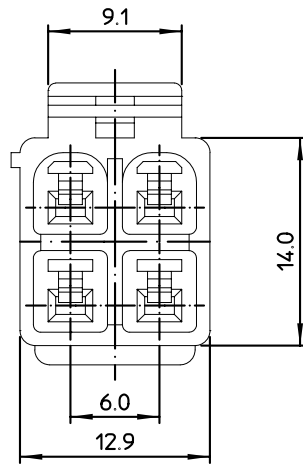
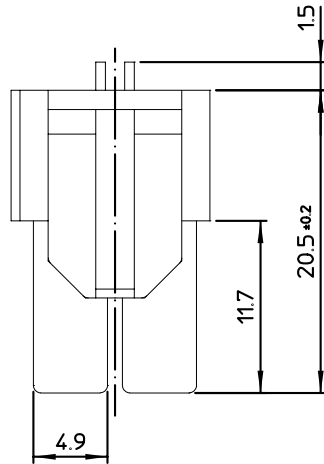
E

D

C

B

A



MATERIAL NO.	ENG NO.	MATERIAL	COLOR
357990410	35799-0410	NYLON66 (UL94V-2)	NATURAL
357990490	35799-0490	POLYPROPYLENE (UL94V-0)	
357990412	35799-0412	NYLON66 (UL94V-2)	RED
357990492	35799-0492	POLYPROPYLENE (UL94V-0)	

REVISED ECN NO:KOR2002-0014 DRW:N.C.B.CHIN 01/09/14 CH:K.B.K.CHOI APPR:C.W.LEE	QUALITY SYMBOLS MAJOR ∇ -0 CRITICAL ∇ C -0	GENERAL TOLERANCES: (UNLESS SPECIFIED)		SCALE 4:1	DESIGN UNITS <input checked="" type="checkbox"/> MM <input type="checkbox"/> INCH	THIRD ANGLE PROJECTION	DIMENSIONS: <input type="checkbox"/> MM <input type="checkbox"/> INCH <input checked="" type="checkbox"/> MM ONLY	SHT REV
		4 PLACES $\pm 0.$ $\pm .$	DRAWN BY & DATE C.B.CHIN 01/04/17	TITLE: .070 W/B HOUSING-4P			MOLEX INCORPORATED	SHEET NO. 1 OF 1
		3 PLACES $\pm 0.$ $\pm .$	CHECKED BY & DATE B.K.CHOI 01/04/17	APPROVED BY & DATE C.W.LEE 01/04/17				
		2 PLACES ± 0.15 $\pm .$	CAD FILENAME S357998.MI	MATERIAL NO. SEE CHART	DRAWING NO. SD-35799-002	THIS DRAWING CONTAINS INFORMATION THAT IS PROPRIETARY TO MOLEX INCORPORATED AND SHOULD NOT BE USED WITHOUT WRITTEN PERMISSION.		
1 PLACE ± 0.15 $\pm .$	ANGULAR: \pm $^{\circ}$		DRAFT WHERE APPLICABLE MUST REMAIN WITHIN DIMENSIONS		SIZE B			

8

7

6

5

4

3

2

KOREA

MX-A3