

PLEASE CHECK WWW.MOLEX.COM FOR LATEST PART INFORMATION

Part Number: [0930372502](#)
Status: **Active**
Overview: [rast_25_connector_system](#)
Description: 2.50mm (.098") Appli-Mate RAST 2.5 IDT Housing, Female, 8 Circuits, With Pips and Slots

Documents:

[3D Model](#) [Product Specification PS-99020-0040 \(PDF\)](#)
[Drawing \(PDF\)](#) [RoHS Certificate of Compliance \(PDF\)](#)

Agency Certification

CSA LR19980

General

Product Family IDT and Solder Connectors
 Series [93037](#)
 Comments various possibilities for temperature range: 4 Amp:-20°C to +60°C with header 2 Amp:-20°C to +120°C double sided PCB or Header 2 Amp:-20°C to +110°C single sided PCB
 Crimp Quality Equipment Yes
 Overview [rast_25_connector_system](#)
 Product Name RAST 2.5

Physical

Circuits (Loaded) 8
 Circuits (maximum) 8
 Color - Resin Natural
 Durability (mating cycles max) 10
 Flammability 94V-2
 Gender Female
 Glow-Wire Compliant Yes
 Lock to Mating Part Yes
 Material - Metal Phosphor Bronze
 Material - Plating Mating Tin
 Material - Plating Termination Tin
 Material - Resin Polyester
 Number of Rows 1
 Packaging Type Tray
 Pitch - Mating Interface (in) 0.980 In
 Pitch - Mating Interface (mm) 2.50 mm
 Plating min: Mating (µin) 40
 Plating min: Mating (µm) 1.00
 Plating min: Termination (µin) 40
 Plating min: Termination (µm) 1.00
 Temperature Range - Operating -20°C to +110°C, -20C TO +120C, -20°C to +60°C
 Termination Interface: Style IDT or Pierce
 Wire Size AWG 22

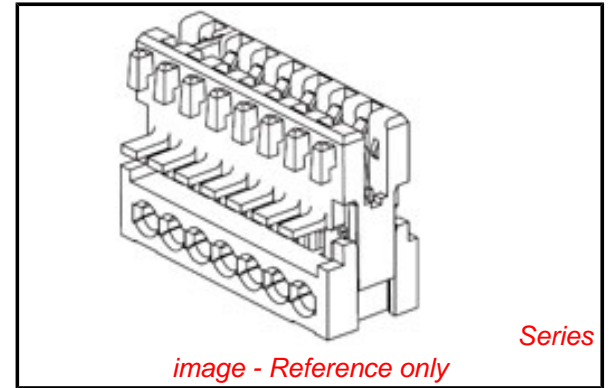
Electrical

Current - Maximum per Contact 2A, 4A
 Voltage - Maximum 250V

Material Info

Reference - Drawing Numbers

Application Specification AS-99033-0008



EU RoHS

ELV and RoHS Compliant
REACH SVHC Contains SVHC: No
Halogen-Free Status

China RoHS



Halogen-Free

Need more information on product environmental compliance?

Email productcompliance@molex.com
 For a multiple part number RoHS Certificate of Compliance, [click here](#)

Please visit the [Contact Us](#) section for any non-product compliance questions.

Search Parts in this Series

[93037Series](#)

Mates With

[90860](#) , [90861](#) , [90873](#)

Application Tooling | FAQ

Tooling specifications and manuals are found by selecting the products below. Crimp Height Specifications are then contained in the Application Tooling Specification document.

Global

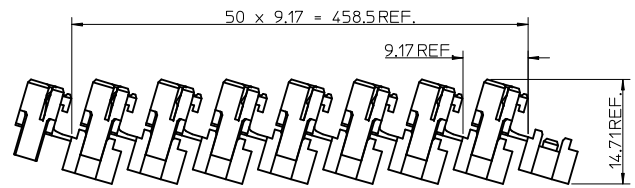
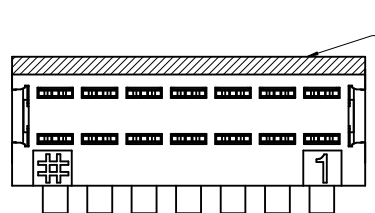
Description	Product #
RAST 2.5 Semi-Automatic Terminator Machine For Appli-Mate™ Connectors	0623006200

Packaging Specification
Product Specification
Sales Drawing

PK-90871-001
PS-99020-0040
SD-93037-001

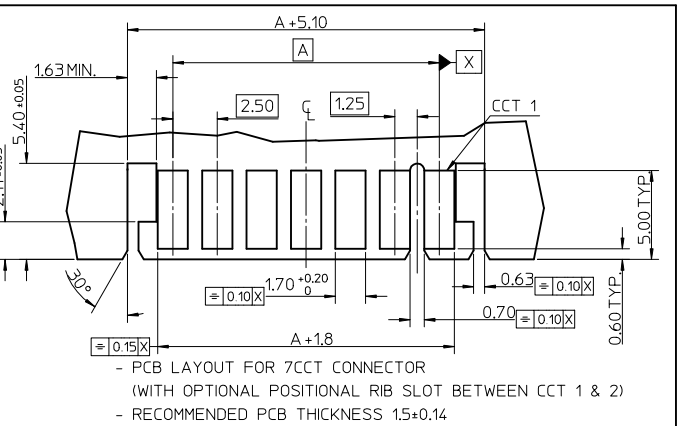
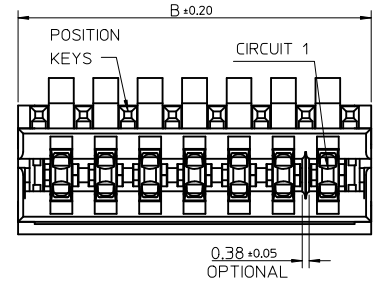
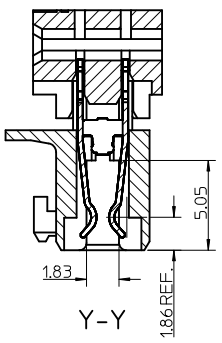
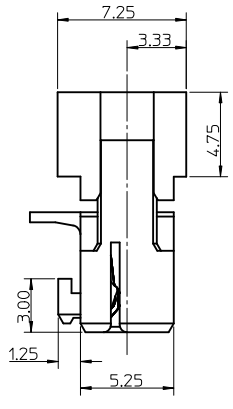
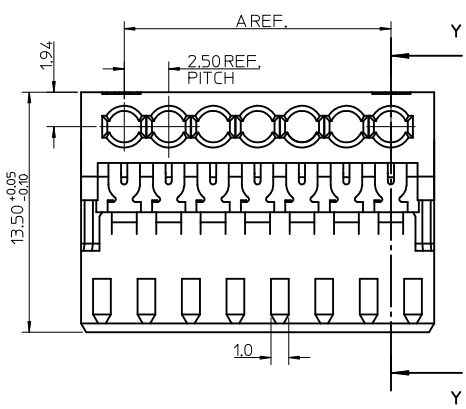
This document was generated on 05/28/2010

PLEASE CHECK WWW.MOLEX.COM FOR LATEST PART INFORMATION



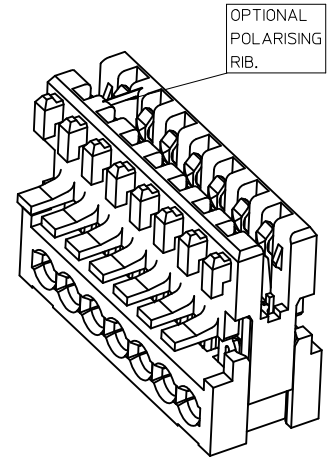
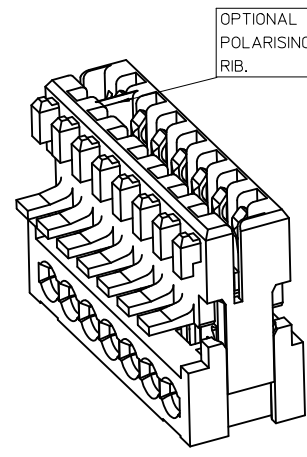
CCT	"A"	"B"
3	5.0	9.875
4	7.5	12.375
5	10.0	14.875
6	12.5	17.375
7	15.0	19.875
8	17.5	22.375
9	20.0	24.875
10	22.5	27.375
11	25.0	29.875
12	27.5	32.375
13	30.0	34.875
14	32.5	37.375
15	35.0	39.875
16	37.5	42.375
17	40.0	44.875
18	42.5	47.375
19	45.0	49.875
20	47.5	52.375

SHIPPING ARRANGEMENT SCALE 2:1



- PCB LAYOUT FOR 7CCT CONNECTOR (WITH OPTIONAL POSITIONAL RIB SLOT BETWEEN CCT 1 & 2)
- RECOMMENDED PCB THICKNESS 1.5±0.14

- NOTES:
- REFER TO PRODUCT SPECIFICATION: PS-99020-0040.
 - MATERIAL: HOUSING - POLYESTER (PBT)
UL94-V2, COLOUR: NATURAL (WHITE).
TERMINAL: PHOSPHOR BRONZE 0.30 REF. THICK - PLATING HOT TIN DIP.
 - COLOUR STRIPE IS OPTIONAL. AVAILABLE IN THE FOLLOWING COLOURS: RED, GREEN, BLUE. (BLACK SIGNIFIES CUSTOMER SPECIFIC CONFIGURATION).
 - REFER TO PACKAGING SPEC (PK-90871-001)
 - REFER TO APPLICATION SPEC (AS-99033-0008)
 - FOR CIRCUIT SIZES LARGER THAN 13CCT - CONTACT ENG. DEPT.



ADDED P/NS EC NO: E2010-0280 DRAWN: TOURISH 2010/02/02 CHKD: BRUTTE 2007/05/28 APPR: BMAGUIRE 2010/04/01 M REV DESCRIPTION	QUALITY SYMBOLS ▽=0 ▽=0	GENERAL TOLERANCES (UNLESS SPECIFIED)		DIMENSION STYLE MM ONLY		SCALE 5:1	DESIGN UNITS METRIC	THIRD ANGLE PROJECTION	
		4 PLACES ± --- ± --- 3 PLACES ± 0.05 ± --- 2 PLACES ± 0.10 ± --- 1 PLACE ± 0.2 ± --- ANGULAR ± 1/2°	mm INCH	DRAWN BY MSHANAHAN CHECKED BY NMCNAMARA APPROVED BY BMAGUIRE MATERIAL NO.	DATE 2007/05/28 DATE 2007/05/28 DATE 2010/03/30	TITLE APPLI-MATE 2.5 FEMALE W/PIPS AND SLOTS GWT 750		MOLEX INCORPORATED	
DRAFT WHERE APPLICABLE MUST REMAIN WITHIN DIMENSIONS		SEE CHARTS		THIS DRAWING CONTAINS INFORMATION THAT IS PROPRIETARY TO MOLEX INCORPORATED AND SHOULD NOT BE USED WITHOUT WRITTEN PERMISSION		DOCUMENT NO. SD-93037-001		SHEET NO. 1 OF 4	

3 CIRCUIT

MOLEX PART NO.	TERMINAL VOID POSITION	REMOVED POSITION KEYS	CONFIGURATION (SEE NOTE 1)	ENDWALLS	POLARIZING RIB	COLOUR STRIPE
93037-0001	NONE	NONE		SLOTTED	NONE	NONE
93037-0251	NONE	a d		OPEN	BETWEEN CCT 2&3	NONE
93037-0003	NONE	NONE		SLOTTED	BETWEEN CCT 2&3	NONE
93037-0252	NONE	a b c		OPEN	NONE	NONE
93037-0253	NONE	b		OPEN	BETWEEN CCT 1&2	NONE
93037-0301	NONE	a d		1ST OPEN last slotted	NONE	NONE
93037-0254	NONE	NONE		OPEN	BETWEEN CCT 2&3	NONE
93037-0004	NONE	a d		SLOTTED	BETWEEN CCT 2&3	NONE
93037-0255	NONE	b c		OPEN	NONE	NONE
93037-0256	NONE	a d		OPEN	NONE	NONE
93037-0302	NONE	b c		1ST OPEN last slotted	NONE	NONE
93037-0005	NONE	a d		SLOTTED	BETWEEN CCT 2&3	BLUE
93037-0303	NONE	NONE		1ST OPEN last slotted	NONE	NONE
93037-0257	NONE	NONE		OPEN	NONE	NONE
93037-0258	NONE	a d		OPEN	NONE	NONE
93037-0259	NONE	NONE		OPEN	BETWEEN CCT 1&2	NONE
93037-0260	NONE	d		OPEN	BETWEEN CCT 2&3	NONE
93037-0261	NONE	b		OPEN	BETWEEN CCT 2&3	NONE
93037-0262	NONE	c		OPEN	BETWEEN CCT 2&3	NONE
93037-0006	NONE	a d		SLOTTED	BETWEEN CCT 1&2	NONE
93037-0007	CCT 3	a d		SLOTTED	BETWEEN CCT 2&3	NONE
93037-0263	NONE	b		OPEN	NONE	NONE
93037-0008	NONE	a d		SLOTTED	BETWEEN CCT 1&2	BLUE
93037-0264	NONE	ALL		OPEN	NONE	NONE

4 CIRCUIT

MOLEX PART NO.	TERMINAL VOID POSITION	REMOVED POSITION KEYS	CONFIGURATION (SEE NOTE 1)	ENDWALLS	POLARIZING RIB	COLOUR STRIPE
93037-0501	NONE	NONE		SLOTTED	NONE	NONE
93037-0751	NONE	NONE		OPEN	BETWEEN CCT 3&4	NONE
93037-0502	NONE	NONE		SLOTTED	BETWEEN CCT 1&2	NONE
93037-0752	NONE	a e		OPEN	BETWEEN CCT 3&4	NONE
93037-0503	NONE	a e		SLOTTED	BETWEEN CCT 1&2	NONE
93037-0753	NONE	a c e		OPEN	BETWEEN CCT 3&4	NONE
93037-0754	NONE	a d e		OPEN	BETWEEN CCT 3&4	NONE
93037-0755	NONE	a b d		OPEN	BETWEEN CCT 3&4	NONE
93037-0756	NONE	b c e		OPEN	BETWEEN CCT 3&4	NONE
93037-0757	NONE	b d e		OPEN	BETWEEN CCT 3&4	NONE
93037-0758	NONE	c d		OPEN	BETWEEN CCT 3&4	NONE
93037-0759	NONE	a e		OPEN	BETWEEN CCT 2&3	BLUE
93037-0504	NONE	NONE		SLOTTED	BETWEEN CCT 3&4	NONE
93037-0505	NONE	a e		SLOTTED	BETWEEN CCT 1&2	BLUE
93037-0901	NONE	NONE		1ST OPEN last slotted	BETWEEN CCT 2&3	NONE
93037-0506	NONE	a e		SLOTTED	BETWEEN CCT 3&4	NONE

5 CIRCUIT

MOLEX PART NO.	TERMINAL VOID POSITION	REMOVED POSITION KEYS	CONFIGURATION (SEE NOTE 1)	ENDWALLS	POLARIZING RIB	COLOUR STRIPE
93037-1001	NONE	NONE		SLOTTED	NONE	NONE
93037-1251	NONE	a d f		OPEN	NONE	NONE
93037-1002	NONE	NONE		SLOTTED	BETWEEN CCT 3&4	NONE
93037-1003	NONE	a f		SLOTTED	NONE	NONE
93037-1252	NONE	a f		OPEN	BETWEEN CCT 1&2	BLUE
93037-1253	CCT 3	a f		OPEN	BETWEEN CCT 1&2	BLUE
93037-1254	NONE	NONE		OPEN	NONE	NONE

6 CIRCUIT

MOLEX PART NO.	TERMINAL VOID POSITION	REMOVED POSITION KEYS	CONFIGURATION (SEE NOTE 1)	ENDWALLS	POLARIZING RIB	COLOUR STRIPE
93037-1501	NONE	NONE		SLOTTED	NONE	NONE
93037-1502	CCT 3, 4, 5, 6	a g		SLOTTED	BETWEEN CCT 2&3	NONE
93037-1503	CCT 3, 4	NONE		SLOTTED	BETWEEN CCT 2&3	NONE
93037-1504	CCT 1, 2	NONE		SLOTTED	BETWEEN CCT 2&3	NONE
93037-1505	NONE	NONE		SLOTTED	BETWEEN CCT 2&3	NONE
93037-1751	NONE	a g		OPEN	BETWEEN CCT 2&3	NONE
93037-1506	NONE	a g		SLOTTED	BETWEEN CCT 3&4	NONE
93037-1507	NONE	a g		SLOTTED	NONE	NONE
93037-1508	NONE	a g		SLOTTED	BETWEEN CCT 2&3	BLUE
93037-1509	NONE	NONE		SLOTTED	BETWEEN CCT 2&3	BLUE
93037-1901	NONE	NONE		1ST OPEN last slotted	BETWEEN CCT 3&4	NONE

NOTES
 1. + DENOTES TERMINAL VOIDED POSITION
 ● DENOTES TERMINAL LOADED POSITION
 | DENOTES POLARIZING RIB POSITION

SEE SHEET 1 ELC NO: E2010-0280 DRWNG: TOUR SH CHKD: BRUTLE APPR: BMAGUIRE 2010/02/02 2007/05/28 2010/04/01	QUALITY SYMBOLS ▽=0 ▽=0	GENERAL TOLERANCES (UNLESS SPECIFIED) mm INCH 4 PLACES ± .--- ± .--- 3 PLACES ± 0.05 ± .--- 2 PLACES ± 0.10 ± .--- 1 PLACE ± 0.2 ± .--- ANGLE ± 1/2°	DIMENSION STYLE MM ONLY	SCALE 1:1	DESIGN UNITS METRIC	THIRD ANGLE PROJECTION	
	DRAWN BY MSHANAHAN	DATE 2007/05/28	TITLE APPLI-MATE 2.5 FEMALE W/PIPS AND SLOTS GWT 750	CHECKED BY NMCNAMARA	DATE 2007/05/28	APPROVED BY BMAGUIRE	DATE 2010/03/30
	DRAFT WHERE APPLICABLE MUST REMAIN WITHIN DIMENSIONS	SEE CHART	MATERIAL NO. SD-93037-001	DOCUMENT NO.	SHEET NO. 2 OF 4	THIS DRAWING CONTAINS INFORMATION THAT IS PROPRIETARY TO MOLEX INCORPORATED AND SHOULD NOT BE USED WITHOUT WRITTEN PERMISSION	
	MOLEX INCORPORATED						

7 CIRCUIT

MOLEX PART NO.	TERMINAL VOID POSITION	REMOVED POSITION KEYS	CONFIGURATION (SEE NOTE 1)	ENDWALLS	POLARIZING RIB	COLOUR STRIPE
93037-2001	NONE	NONE		SLOTTED	NONE	NONE
93037-2002	NONE	a h		SLOTTED	BETWEEN CCT 2&3	NONE
93037-2003	CCT 2, 6	NONE		SLOTTED	BETWEEN CCT 2&3	NONE
93037-2004	NONE	NONE		SLOTTED	BETWEEN CCT 2&3	NONE
93037-2005	NONE	a h		SLOTTED	NONE	NONE
93037-2006	NONE	a h		SLOTTED	BETWEEN CCT 2&3	BLUE
93037-2007	NONE	b c d e f		SLOTTED	BETWEEN CCT 2&3	NONE

8 CIRCUIT

MOLEX PART NO.	TERMINAL VOID POSITION	REMOVED POSITION KEYS	CONFIGURATION (SEE NOTE 1)	ENDWALLS	POLARIZING RIB	COLOUR STRIPE
93037-2501	NONE	NONE		SLOTTED	NONE	NONE
93037-2751	NONE	NONE		OPEN	BETWEEN RIB 7&8	NONE
93037-2752	NONE	NONE		OPEN	BETWEEN RIB 6&7	NONE
93037-2502	NONE	ALL		SLOTTED	BETWEEN RIB 2&3	NONE
93037-2503	NONE	NONE		SLOTTED	BETWEEN RIB 2&3	NONE
93037-2504	NONE	a i		SLOTTED	BETWEEN RIB 2&3	BLUE

9 CIRCUIT

MOLEX PART NO.	TERMINAL VOID POSITION	REMOVED POSITION KEYS	CONFIGURATION (SEE NOTE 1)	ENDWALLS	POLARIZING RIB	COLOUR STRIPE
93037-3001	NONE	NONE		SLOTTED	NONE	NONE
93037-3002	CCT 2, 5, 7	NONE		SLOTTED	BETWEEN CCT 2&3	NONE
93037-3253	NONE	NONE		OPEN	BETWEEN CCT 8&9	NONE
93037-3003	NONE	a j		SLOTTED	BETWEEN CCT 2&3	NONE
93037-3004	CCT 2, 5, 7	ALL		SLOTTED	BETWEEN CCT 2&3	NONE

10 CIRCUIT

MOLEX PART NO.	TERMINAL VOID POSITION	REMOVED POSITION KEYS	CONFIGURATION (SEE NOTE 1)	ENDWALLS	POLARIZING RIB	COLOUR STRIPE
93037-3501	NONE	NONE		SLOTTED	NONE	NONE
93037-3502	NONE	a k		SLOTTED	BETWEEN CCT 1&2	NONE
93037-3503	NONE	a k		SLOTTED	BETWEEN CCT 2&3	BLUE

11 CIRCUIT

MOLEX PART NO.	TERMINAL VOID POSITION	REMOVED POSITION KEYS	CONFIGURATION (SEE NOTE 1)	ENDWALLS	POLARIZING RIB	COLOUR STRIPE
93037-4001	NONE	NONE		SLOTTED	NONE	NONE
93037-4251	NONE	b c d e f g h i j k		OPEN	BETWEEN CCT 9&10	NONE
93037-4002	NONE	NONE		SLOTTED	BETWEEN CCT 7&8	NONE

12 CIRCUIT

MOLEX PART NO.	TERMINAL VOID POSITION	REMOVED POSITION KEYS	CONFIGURATION (SEE NOTE 1)	ENDWALLS	POLARIZING RIB	COLOUR STRIPE
93037-4501	NONE	NONE		SLOTTED	NONE	NONE

13 CIRCUIT

MOLEX PART NO.	TERMINAL VOID POSITION	REMOVED POSITION KEYS	CONFIGURATION (SEE NOTE 1)	ENDWALLS	POLARIZING RIB	COLOUR STRIPE
93037-5001	NONE	NONE		SLOTTED	NONE	NONE
93037-5251	NONE	a n		OPEN	BETWEEN RIB 2&3	NONE
93037-5002	NONE	a n		SLOTTED	NONE	NONE
93037-5003	CCT 2	a n		SLOTTED	BETWEEN RIB 2&3	NONE
93037-5004	CCT 12	a n		SLOTTED	BETWEEN RIB 2&3	NONE

- NOTES
- DENOTES TERMINAL VOIDED POSITION
 - ◉ DENOTES TERMINAL LOADED POSITION
 - | DENOTES POLARIZING RIB POSITION

SEE SHEET 1 2010/02/02 ELEC NO: E2010-0280 DRAWN/TOR: SH CHKD: BRUTTE APPROV: BMAGUIRE	QUALITY SYMBOLS ▽=0 ▽=0	GENERAL TOLERANCES (UNLESS SPECIFIED) mm INCH		DIMENSION STYLE MM ONLY		SCALE 1:1	DESIGN UNITS METRIC	THIRD ANGLE PROJECTION	
		4 PLACES ± --- ± ---	3 PLACES ± 0.05 ± ---	DRAWN BY MSHANAHAN	DATE 2007/05/28	TITLE APPLI-MATE 2.5 FEMALE W/PIPS AND SLOTS GWT 750			
		2 PLACES ± 0.10 ± ---	1 PLACE ± 0.2 ± ---	CHECKED BY MNCNAMARA	DATE 2007/05/28	APPROVED BY BMAGUIRE			
		ANGULAR ±1/2°		APPROVED BY DATE 2010/03/30		MATERIAL NO. MOLEX INCORPORATED			
DRAFT WHERE APPLICABLE MUST REMAIN WITHIN DIMENSIONS				SEE CHART		DOCUMENT NO. SD-93037-001		SHEET NO. 3 OF 4	

14 CIRCUIT

MOLEX PART NO.	TERMINAL VOID POSITION	REMOVED POSITION KEYS	CONFIGURATION (SEE NOTE 1)	ENDWALLS	POLARIZING RIB	COLOUR STRIPE
93037-5501	NONE	NONE		SLOTTED	NONE	NONE

15 CIRCUIT

MOLEX PART NO.	TERMINAL VOID POSITION	REMOVED POSITION KEYS	CONFIGURATION (SEE NOTE 1)	ENDWALLS	POLARIZING RIB	COLOUR STRIPE
93037-6001	NONE	NONE		SLOTTED	NONE	NONE
93037-6002	NONE	a p		SLOTTED	NONE	NONE

16 CIRCUIT

MOLEX PART NO.	TERMINAL VOID POSITION	REMOVED POSITION KEYS	CONFIGURATION (SEE NOTE 1)	ENDWALLS	POLARIZING RIB	COLOUR STRIPE
93037-6501	NONE	NONE		SLOTTED	NONE	NONE

17 CIRCUIT

MOLEX PART NO.	TERMINAL VOID POSITION	REMOVED POSITION KEYS	CONFIGURATION (SEE NOTE 1)	ENDWALLS	POLARIZING RIB	COLOUR STRIPE
93037-7001	NONE	NONE		SLOTTED	NONE	NONE

18 CIRCUIT

MOLEX PART NO.	TERMINAL VOID POSITION	REMOVED POSITION KEYS	CONFIGURATION (SEE NOTE 1)	ENDWALLS	POLARIZING RIB	COLOUR STRIPE
93037-7501	NONE	NONE		SLOTTED	NONE	NONE

19 CIRCUIT

MOLEX PART NO.	TERMINAL VOID POSITION	REMOVED POSITION KEYS	CONFIGURATION (SEE NOTE 1)	ENDWALLS	POLARIZING RIB	COLOUR STRIPE
93037-8001	NONE	NONE		SLOTTED	NONE	NONE

20 CIRCUIT

MOLEX PART NO.	TERMINAL VOID POSITION	REMOVED POSITION KEYS	CONFIGURATION (SEE NOTE 1)	ENDWALLS	POLARIZING RIB	COLOUR STRIPE
93037-8501	NONE	NONE		SLOTTED	NONE	NONE

SEE SHEET 1 ELEC NO: E2010-0280 DRAWN: TOURI SH CHKD: BRUTTE APPR: BMAGUIRE 2010/02/02 2007/05/28 2010/04/01	QUALITY SYMBOLS	GENERAL TOLERANCES (UNLESS SPECIFIED)	DIMENSION STYLE	SCALE	DESIGN UNITS	THIRD ANGLE PROJECTION
	▽=0	mm INCH	MM ONLY	5:1	METRIC	
	▽=0	4 PLACES ± --- ± ---	DRAWN BY DATE	TITLE		
	▽=0	3 PLACES ± 0.05 ± ---	MSHANAHAN 2007/05/28	APPLI-MATE 2.5 FEMALE W/PIPS AND SLOTS GWT 950		
	2 PLACES ± 0.10 ± ---	CHECKED BY DATE	MOCAMARA 2007/05/28			
	1 PLACE ± 0.2 ± ---	APPROVED BY DATE	BMAGUIRE 2010/03/30			
	ANGULAR ± 1/2°	MATERIAL NO.	MOLEX INCORPORATED			
	DRAFT WHERE APPLICABLE MUST REMAIN WITHIN DIMENSIONS	SEE CHARTS	DOCUMENT NO. SD-93037-001			
		SIZE 1	SHEET NO. 4 OF 4			
		THIS DRAWING CONTAINS INFORMATION THAT IS PROPRIETARY TO MOLEX INCORPORATED AND SHOULD NOT BE USED WITHOUT WRITTEN PERMISSION				