

**PLEASE CHECK WWW.MOLEX.COM FOR LATEST PART INFORMATION**

**Part Number:** [0442626421](#)  
**Status:** **Active**  
**Description:** 5.33mm (.210") Pitch Crimp Terminal, Power Blade, Select Gold Strips over Tin (Sn) Over Nickel (Ni), 14-16 AWG, Blade Length 11.56mm (.455")

**Documents:**

[Drawing \(PDF\)](#) [RoHS Certificate of Compliance \(PDF\)](#)

**General**

|                         |                       |
|-------------------------|-----------------------|
| Product Family          | Crimp Terminals       |
| Series                  | <a href="#">44262</a> |
| Crimp Quality Equipment | Yes                   |
| Product Name            | N/A                   |

**Physical**

|                                |                          |
|--------------------------------|--------------------------|
| Durability (mating cycles max) | 500                      |
| Gender                         | Male                     |
| Material - Metal               | Copper                   |
| Material - Plating Mating      | Gold                     |
| Packaging Type                 | Reel                     |
| Termination Interface: Style   | Crimp or Compression     |
| Wire Insulation Diameter       | 1.52-3.30mm (.060-.130") |
| Wire Size AWG                  | 14, 16                   |
| Wire Size mm <sup>2</sup>      | N/A                      |

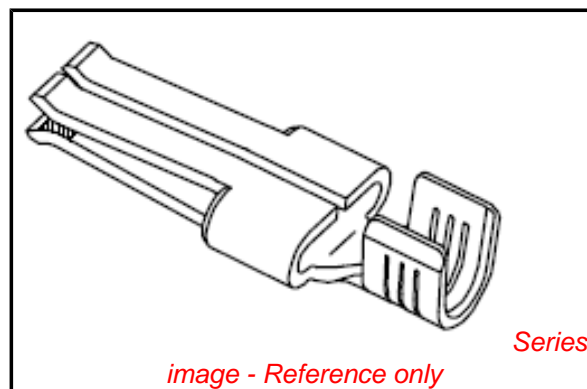
**Electrical**

|                               |         |
|-------------------------------|---------|
| Current - Maximum per Contact | 20A     |
| Voltage - Maximum             | 600V AC |

**Material Info**

**Reference - Drawing Numbers**

|               |              |
|---------------|--------------|
| Sales Drawing | SD-44262-026 |
|---------------|--------------|



*image - Reference only*

**EU RoHS**

**ELV and RoHS  
Compliant**

**REACH SVHC**

**Contains SVHC: No**

**Halogen-Free**

**Status**

**Halogen-Free**

**China RoHS**



**Need more information on product  
environmental compliance?**

Email [productcompliance@molex.com](mailto:productcompliance@molex.com)  
 For a multiple part number RoHS Certificate of  
 Compliance, [click here](#)

Please visit the [Contact Us](#) section for any  
 non-product compliance questions.

**Search Parts in this Series**

[44262Series](#)

**Use With**

638326000 Crimp Applicator

**Application Tooling | FAQ**

*Tooling specifications and manuals are  
 found by selecting the products below.  
 Crimp Height Specifications are then  
 contained in the Application Tooling  
 Specification document.*

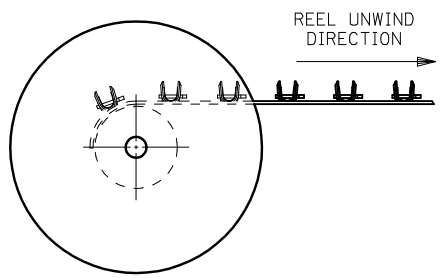
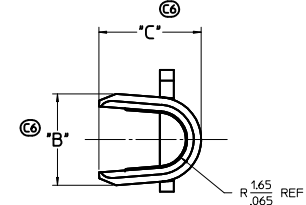
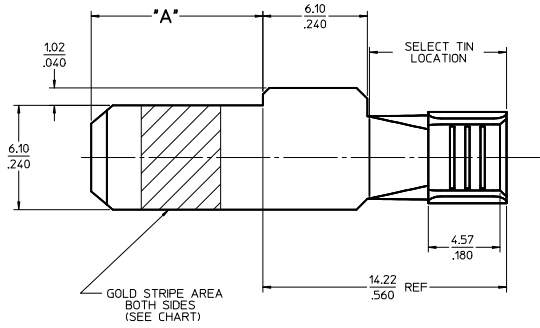
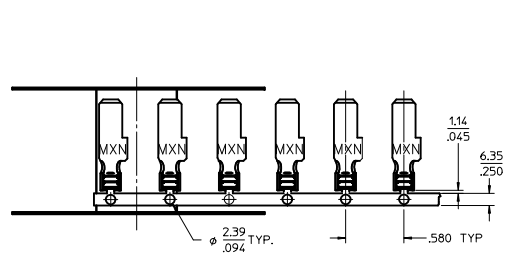
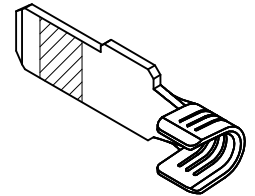
**Global**

| Description  | Product #                  |
|--|----------------------------|
| Hand Crimp Tool for<br>14-18 AWG Male<br>and Female Power<br>Contact Terminals | <a href="#">0638195500</a> |
| Mini-Mac™<br>Applicator  | <a href="#">0638326100</a> |

**PLEASE CHECK [WWW.MOLEX.COM](http://WWW.MOLEX.COM) FOR LATEST PART INFORMATION**

| PART NUMBER | PLATING   | RECOMMENDED WIRE SIZE | DIM 'A' BLADE LENGTH | DIM 'B' WIDTH            | DIM 'C' HEIGHT           | RECOMMENDED CRIMP APPLICATOR | PRODUCT STATUS |
|-------------|---|-----------------------|----------------------|--------------------------|--------------------------|------------------------------|----------------|
| 44262-6510  | 80-160μ INCHES TIN OVERALL OVER<br>50μ INCHES NICKEL OVERALL                                      | 8 AWG                 | 10.03/.395           | N/A                      | N/A                      | 63832-6300                   | NOT TOOLED     |
| 44262-6511  |   |                       | 11.56/.455           |                          |                          |                              |                |
| 44262-6512  |   |                       | 13.08/.515           |                          |                          |                              |                |
| 44262-6520  | 30μ INCHES SELECT GOLD STRIPE OVER<br>50μ INCHES NICKEL OVERALL WITH<br>80-160μ INCHES SELECT TIN | (2) 12 AWG            | 10.03/.395           | N/A                      | N/A                      | 63832-6300                   | NOT TOOLED     |
| 44262-6521  |   |                       | 11.56/.455           |                          |                          |                              |                |
| 44262-6522  |   |                       | 13.08/.515           |                          |                          |                              |                |
| 44262-6310  |   |                       | 10.03/.395           |                          |                          |                              |                |
| 44262-6311  | 80-160μ INCHES TIN OVERALL OVER<br>50μ INCHES NICKEL OVERALL                                      | 10-12 AWG             | 11.56/.455           | N/A                      | N/A                      | 63832-6000                   | NOT TOOLED     |
| 44262-6312  |   |                       | 13.08/.515           |                          |                          |                              |                |
| 44262-6320  |   |                       | 10.03/.395           |                          |                          |                              |                |
| 44262-6321  | 30μ INCHES SELECT GOLD STRIPE OVER<br>50μ INCHES NICKEL OVERALL WITH<br>80-160μ INCHES SELECT TIN | (2) 14 AWG            | 11.56/.455           | 5.33+-.025<br>.210+-.010 | 5.97+-.050<br>.235+-.020 | 63832-6000                   | TOOLED         |
| 44262-6322  |   |                       | 13.08/.515           |                          |                          |                              |                |
| 44262-6410  |   |                       | 10.03/.395           |                          |                          |                              |                |
| 44262-6411  | 80-160μ INCHES TIN OVERALL OVER<br>50μ INCHES NICKEL OVERALL                                      | 14-16 AWG             | 11.56/.455           | N/A                      | N/A                      | 63832-6100                   | TOOLED         |
| 44262-6412  |   |                       | 13.08/.515           |                          |                          |                              |                |
| 44262-6420  | 30μ INCHES SELECT GOLD STRIPE OVER<br>50μ INCHES NICKEL OVERALL WITH<br>80-160μ INCHES SELECT TIN | (2) 16 AWG            | 10.03/.395           | N/A                      | N/A                      | 63832-6100                   | TOOLED         |
| 44262-6421  |   |                       | 11.56/.455           |                          |                          |                              |                |
| 44262-6422  |   |                       | 13.08/.515           |                          |                          |                              |                |

- NOTES:
- MATERIAL: COPPER ALLOY .032 IN THICK
  - FINISH: PER MOLEX PLATING SPECIFICATION ES-88 - SEE CHART
  - SEE CHART FOR CRIMP APPLICATOR NUMBER
  - FOR CRIMP TOOLING CONTACT MOLEX OR VISIT THE MOLEX WEBSITE AT WWW.MOLEX.COM
  - STD PACKAGE SIZE: 2,500 PARTS/REEL
  - SEE PRODUCT SPECIFICATION: PS-44262-001 FOR MORE INFORMATION.
  - PARTS ARE RgHS COMPLIANT
  - THIS PART MATES WITH RECEPTACLE (FEMALE) POWER CONTACT 44262-43\*\* (SEE SD-44262-100)
  - FOR CRIMP SET UP INFORMATION SEE MOLEX APPLICATION DOCUMENT:
    - 8 AWG - ATS-638326300
    - 10/12 AWG - ATS-638326000
    - 14/16 AWG - ATS-638326100



Ⓢ

Ⓢ

Ⓢ

|   |                 |  |                 |              |              |                        |
|---|-----------------|--|-----------------|--------------|--------------|------------------------|
| <b>REV DIMS &amp; CHART</b><br>IEC NO: 2010/01/06<br>CHYK:<br>APPR: | QUALITY SYMBOLS | GENERAL TOLERANCES (UNLESS SPECIFIED)                | DIMENSION STYLE | SCALE        | DESIGN UNITS | THIRD ANGLE PROJECTION |
|   | ▽=0             | 4 PLACES ± .010 ± .010                               | MM/IN           | 5:1          | INCH         | Ⓢ                      |
|   | ▽=0             | 3 PLACES ± .025 ± .010                               |                 |              |              |                        |
|   | ▽=0             | 2 PLACES ± 0.25 ± .010                               |                 |              |              |                        |
|   |                 | 1 PLACE ± 0.25 ± .010                                |                 |              |              |                        |
|   |                 | ANGULAR ±1/2°  |                 |              |              |                        |
|   |                 | DRAFT WHERE APPLICABLE MUST REMAIN WITHIN DIMENSIONS |                 |              |              |                        |
|   |                 |  | MATERIAL NO.    | DOCUMENT NO. |              |                        |
|   |                 |  | SEE CHART       | SD-44262-026 |              |                        |
|   |                 |  |                 |              |              |                        |
|   |                 |  |                 |              |              |                        |

TERMINAL - BLADE POWER TERMINAL

MOLEX INCORPORATED

SD-44262-026

1 OF 1