

PLEASE CHECK WWW.MOLEX.COM FOR LATEST PART INFORMATION

Part Number: [0006023103](#)
Status: **Active**
Overview: [flat blade](#)
Description: Flat Blade Appliance Motor Switch Crimp Housing, 10 Circuit, 10 Circuits

Documents:

[3D Model](#) [Product Specification PS-6313-**** \(PDF\)](#)
[Drawing \(PDF\)](#) [RoHS Certificate of Compliance \(PDF\)](#)

Agency Certification

CSA LR19980
 UL E29179

General

Product Family Crimp Housings
 Series [6313](#)
 Comments Thumb Depress Latch
 Overview [flat blade](#)
 Product Name Flat Blade

Physical

Circuits (maximum) 10
 Color - Resin Natural
 Flammability 94V-2
 Gender Female
 Glow-Wire Compliant No
 Material - Resin Nylon
 Number of Rows 1
 Packaging Type Bag
 Panel Mount No
 Pitch - Mating Interface (in) 0.220 In
 Pitch - Mating Interface (mm) 5.59 mm
 Stackable No
 Temperature Range - Operating -40°C to +75°C

Material Info

Old Part Number 6313-1-10

Reference - Drawing Numbers

Product Specification PS-6313-****
 Sales Drawing SD-6313-1-10

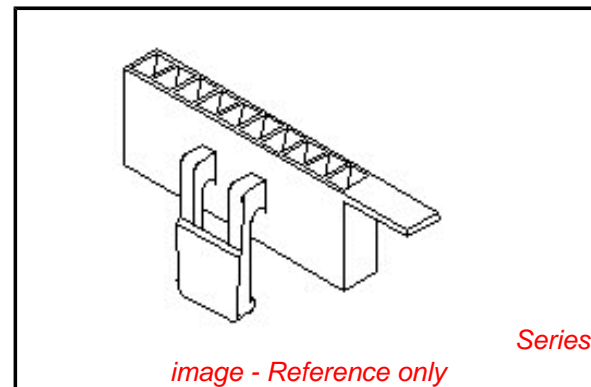


image - Reference only

EU RoHS

**ELV and RoHS
 Compliant**
**REACH SVHC
 Contains SVHC: No**
**Halogen-Free
 Status
 Not Reviewed**

China RoHS



**Need more information on product
 environmental compliance?**

Email productcompliance@molex.com
 For a multiple part number RoHS Certificate of
 Compliance, [click here](#)

Please visit the [Contact Us](#) section for any
 non-product compliance questions.

Search Parts in this Series

[6313Series](#)

Mates With

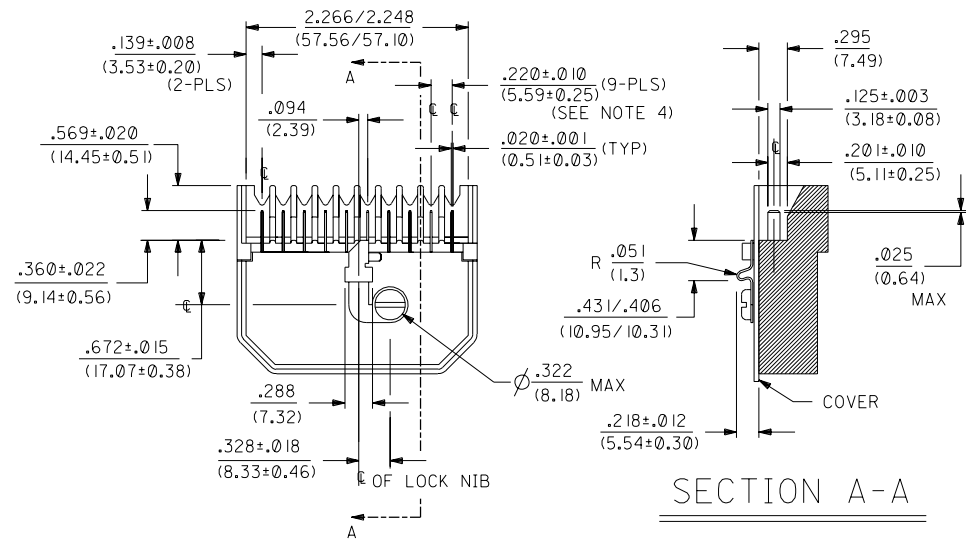
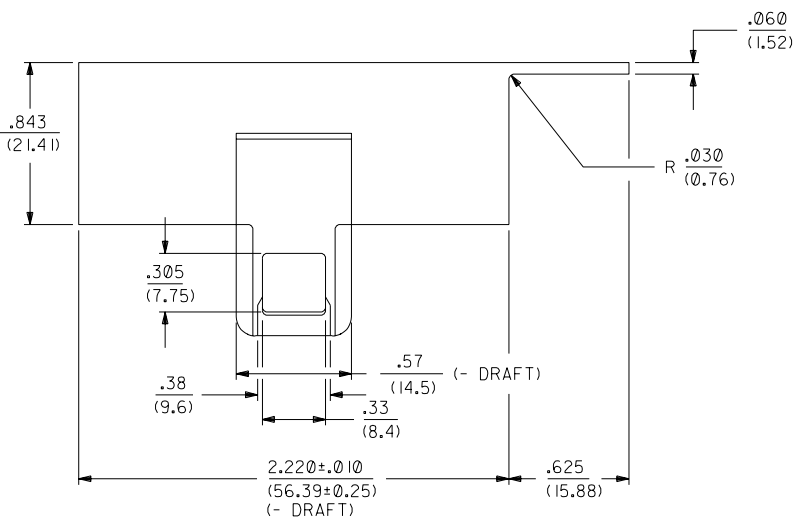
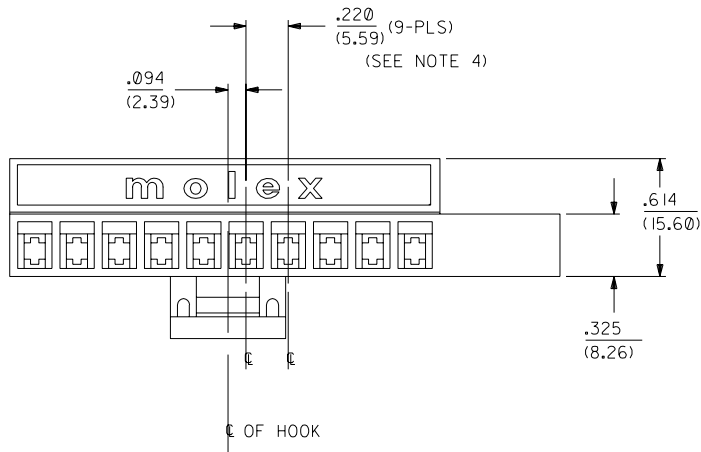
[Appliance Motor](#)

Use With

[1508 Crimp Terminals](#), [43374](#)

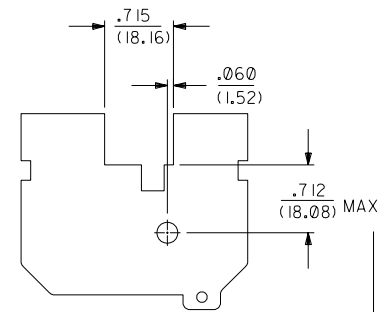
NOTES

1. THIS HOUSING IS FOR USE WITH TERMINALS:
- ENG. NO. 1508-0009.
2. UNLESS OTHERWISE SPECIFIED, ALL RADII TO BE .025/(0.64).
3. MATERIAL : NYLON 6/6,94V-2. COLOR : NATURAL (WHITE/TRANSLUCENT).
4. TOLERANCE IS NOT CUMMLATIVE.
5. PRODUCT SPECIFICATION PS-6313-0001 APPLIES.



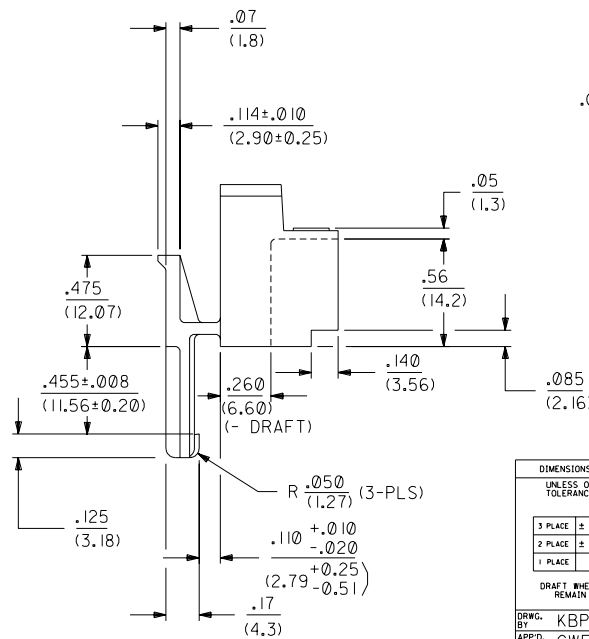
MOTOR SWITCH

SCALE 1:1



COVER

.050±.003/(1.27±0.08) THICK



F2	REVISED PER ECN UCR2001-0698 SOMMER 01/01/26
F1	REVISED PER ECN UB0257 PEARSON 97/07/02
F	REVISED PER ECN UT1288 PEARSON 97/04/24
E	REVISED PER ECN U30186 93/02/05 MAB
D	REVISED PER ECN U21564 92/10/22 MAB
C	REVISED PER ECN U00690 90/09/13 TRM
B	REVISED PER ECN U00231 90/2/28 <i>OK</i>
A	RELEASED PER ERO 28632 89/7/21 COMSTOCK
2	REDRAWN PER ERO 28487 89/06/02 KBP

DIMENSIONS SHOWN (METRIC) INCH UNLESS OTHERWISE SPECIFIED TOLERANCES ANGULAR ± 1/2°		▽ = 0 ▽ = 0 REVISIONS ONLY ON CAD SYSTEM													
<table border="1"> <tr> <th>PLACES</th> <th>INCH</th> <th>METRIC</th> </tr> <tr> <td>3</td> <td>± .010</td> <td>---</td> </tr> <tr> <td>2</td> <td>± .014</td> <td>± 0.25</td> </tr> <tr> <td>1</td> <td>---</td> <td>± 0.35</td> </tr> </table>		PLACES	INCH	METRIC	3	± .010	---	2	± .014	± 0.25	1	---	± 0.35	TITLE HOUSING, CONNECTOR FOR MOTOR SWITCH APPLICATION	
PLACES	INCH	METRIC													
3	± .010	---													
2	± .014	± 0.25													
1	---	± 0.35													
DRAFT WHERE APPLICABLE MUST REMAIN WITHIN DIMENSIONS		MOLEX INCORPORATED SHEET NO. 1 OF 1 DATE 89/05/23													
DRWG. BY KBP CHK'D BY KBP		PART NO. 006-02-3103 DRWG. NO. SD-6313-1-10													
APPROV. BY GWF SCALE 2:1		FILE NAME EHS6313D10 SIZE CO C													