

PLEASE CHECK WWW.MOLEX.COM FOR LATEST PART INFORMATION

Part Number: [0190370004](#)
Status: **Active**
Description: Krimptite™ Snap Plug Receptacle, for 14-16 AWG Wire, Box, 16.26mm (.640") Length

Documents:

[Drawing \(PDF\)](#) [RoHS Certificate of Compliance \(PDF\)](#)

Agency Certification

CSA LR18689
 UL E152602

General

Product Family Quick Disconnects
 Series [19037](#)
 Crimp Quality Equipment Yes
 MolexKits Yes
 Product Name Krimptite™
 Type Snap Receptacle

Physical

Barrel Type Closed
 Gender Female
 Glow-Wire Compliant No
 Insulation None
 Lock to Mating Part None
 Material - Metal Brass
 Orientation Straight
 Packaging Type Bag
 Tab Thickness N/A
 Tab Width N/A
 Wire Insulation Diameter N/A
 Wire Size AWG 14, 16
 Wire Size mm² 1.30 - 2.00

Electrical

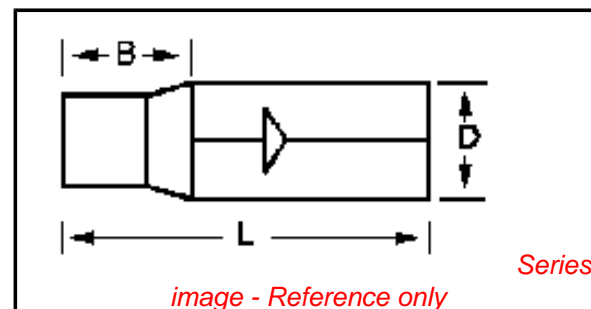
Voltage - Maximum N/A

Material Info

Old Part Number BB-1122

Reference - Drawing Numbers

Sales Drawing SD-19037-002



EU RoHS

**ELV and RoHS
 Compliant
 REACH SVHC
 Contains SVHC: No
 Halogen-Free
 Status**

Not Reviewed

China RoHS



Need more information on product environmental compliance?

Email productcompliance@molex.com
 For a multiple part number RoHS Certificate of Compliance, [click here](#)

Please visit the [Contact Us](#) section for any non-product compliance questions.

Search Parts in this Series

[19037Series](#)

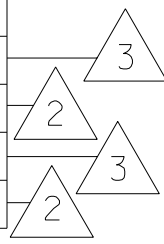
Application Tooling | [FAQ](#)

Tooling specifications and manuals are found by selecting the products below. Crimp Height Specifications are then contained in the Application Tooling Specification document.

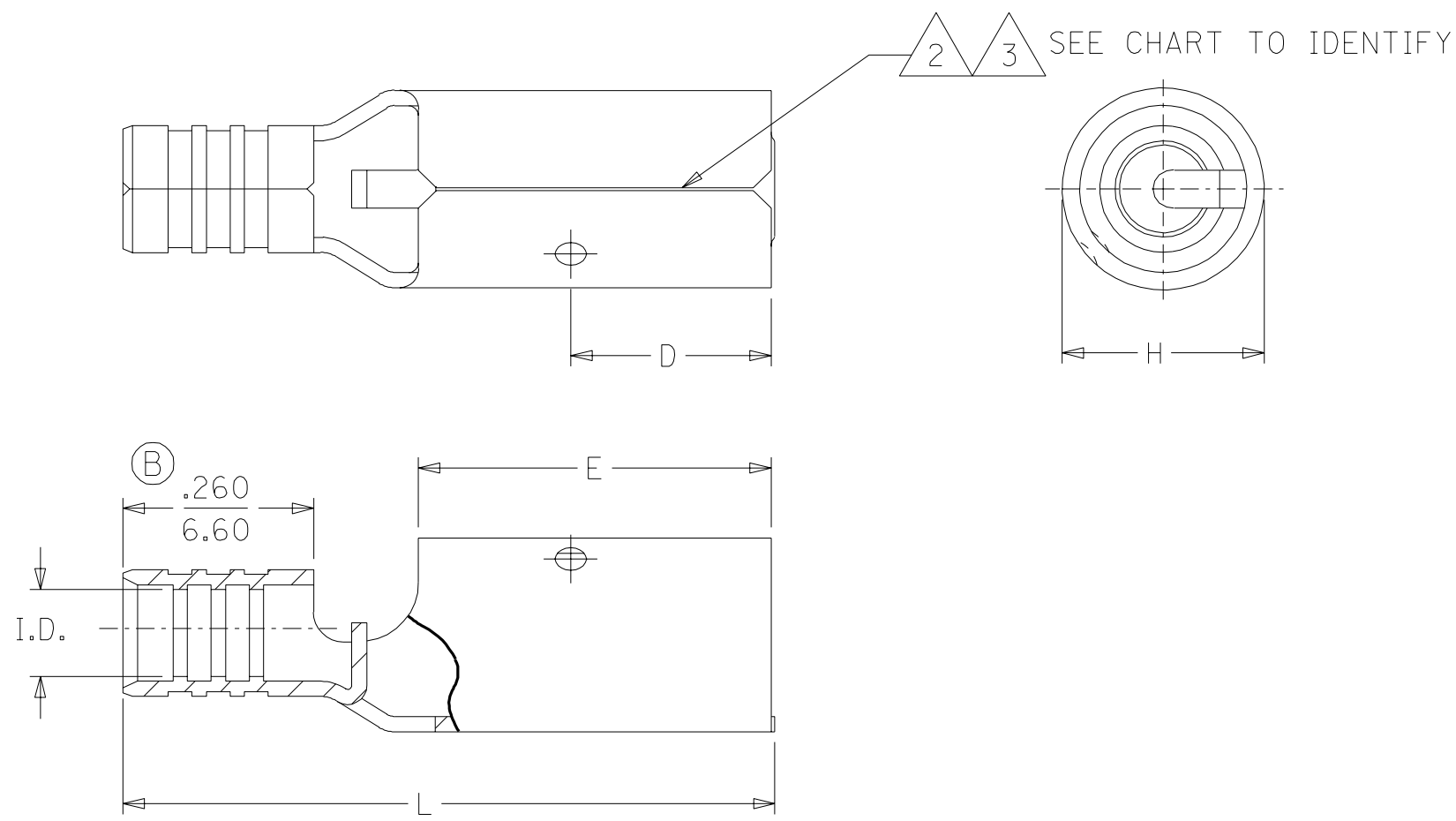
Global

Description	Product #
Hand Crimp Tool	0640031200
Crimp Head for the AT-200™ Pneumatic Hand Tool	0640071200

MATERIAL NUMBER	ENGINEERING NUMBER	WIRE RANGE AWC	MM ²	FITS MALE PLUG DIA.	"L" MAX.	I.D. MIN.	"D" ±.01	H ±.01	"E" NOM.
190370002	AA-1121	22-18	0.25-1.3	.156/(3.96)	.63/(16.0)	.066/(1.68)	.125/(3.18)	.19/(4.8)	.31/(7.88)
190370015	AA-1120	22-18	0.25-1.3	.180/(4.57)	.69/(17.53)	.066/(1.68)	.210/(5.33)	.21/(5.3)	.37/(9.40)
190370004	BB-1122	16-14	1.0-2.6	.156/(3.96)	.63/(16.0)	.089/(2.26)	.125/(3.18)	.19/(4.8)	.31/(7.88)
190370006	BB-1123	16-14	1.0-2.6	.180/(4.57)	.69/(17.53)	.089/(2.26)	.210/(5.33)	.21/(5.3)	.37/(9.40)



(B)



NOTES;
 (B) 1. MATERIAL: .016/0.41 BRASS
 FINISH: ELECTRO-TIN PLATING
 2 SEAM IS FULLY CLOSED.
 3. SEAM HAS A .010 GAP NOMINAL.

DEL TAPE NO'S	EC NO. ETC2003-0201
DRWN: BRE	03/05/08
CHK: HEB	03/05/08
APPR: RWD	03/05/08
B	REV

QUALITY SYMBOLS	GENERAL TOLERANCES: (UNLESS SPECIFIED)	
	mm	INCH
MAJOR $\nabla=0$	4 PLACES ±0.	±.
CRITICAL $\nabla c=0$	3 PLACES ±0.	±.01
	2 PLACES ±0.3	±.01
	1 PLACE ±0.	±.
ANGULAR: ±1/2°		
DRAFT WHERE APPLICABLE MUST REMAIN WITHIN DIMENSIONS		

SCALE NO: NE	DESIGN UNITS <input type="checkbox"/> mm <input checked="" type="checkbox"/> INCH
DRAWN BY & DATE BRE 02/08/12	
CHECKED BY & DATE HEB 02/08/12	
APPROVED BY & DATE RWD 02/08/12	
CAD FILENAME SD-19037-002 .DGN	

DIMENSIONS: <input type="checkbox"/> mm <input checked="" type="checkbox"/> INCH <input type="checkbox"/> mm ONLY		SHT	REV
THIRD ANGLE PROJECTION		REVISE ON CAD ONLY	
TITLE: KRIMPTITE FEMALE BULLET RECEPTACLE			
MOLEX INCORPORATED			
MATERIAL NO. SEE CHART	DRAWING NO. SD-19037-002	SHEET NO. 1 OF 1	
THIS DRAWING CONTAINS INFORMATION THAT IS PROPRIETARY TO MOLEX INCORPORATED AND SHOULD NOT BE USED WITHOUT WRITTEN PERMISSION.			SIZE B