

PLEASE CHECK WWW.MOLEX.COM FOR LATEST PART INFORMATION

Part Number: **0430451215**
Status: **Active**
Overview: microfit_30
Description: 3.00mm (.118") Pitch Micro-Fit 3.0™ Header, Surface Mount, Dual Row, Vertical, with Press-fit Metal Retention Clip, 12 Circuits, Tin (Sn) Plating, Glow Wire Compatible

Documents:

[3D Model](#) [Product Specification PS-43045 \(PDF\)](#)
[Drawing \(PDF\)](#) [RoHS Certificate of Compliance \(PDF\)](#)

Agency Certification

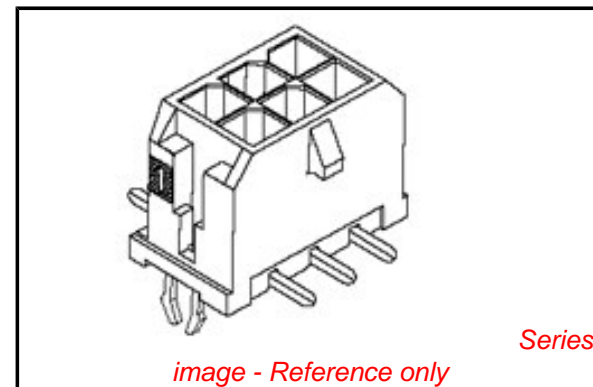
CSA LR19980
TUV R72081037
UL E29179

General

Product Family PCB Headers
Series 43045
Application Wire-to-Board
Comments Glow Wire Equivalent Part Number 430451215. High Temperature, Square Pin, Solder Type
Overview microfit_30
Product Literature Order No USA-106
Product Name Micro-Fit 3.0™

Physical

Breakaway No
Circuits (Loaded) 12
Circuits (maximum) 12
Color - Resin Black
Durability (mating cycles max) 30
Flammability 94V-0
Glow-Wire Compliant Yes
Mated Height (in) 0.680 In
Mated Height (mm) 17.27 mm
Material - Metal Brass
Material - Plating Mating Tin
Material - Plating Termination Tin
Material - Resin High Temperature Thermoplastic
Number of Rows 2
Orientation Vertical
PCB Locator Yes
PCB Retention Yes
PCB Thickness Recommended (in) 0.062 In
PCB Thickness Recommended (mm) 1.60 mm
Packaging Type Embossed Tape on Reel
Pitch - Mating Interface (in) 0.118 In
Pitch - Mating Interface (mm) 3.00 mm
Plating min: Mating (µin) 35
Plating min: Mating (µm) 0.88
Plating min: Termination (µin) 35
Plating min: Termination (µm) 0.88
Polarized to PCB Yes
Shrouded Fully
Stackable No
Surface Mount Compatible (SMC) N/A



EU RoHS

ELV and RoHS Compliant
REACH SVHC Contains SVHC: No
Halogen-Free Status

China RoHS



Halogen-Free

Need more information on product environmental compliance?

Email productcompliance@molex.com
For a multiple part number RoHS Certificate of Compliance, [click here](#)

Please visit the [Contact Us](#) section for any non-product compliance questions.

Search Parts in this Series

[43045Series](#)

Mates With

[43025](#)

Temperature Range - Operating -40°C to +105°C
Termination Interface: Style Surface Mount

Electrical

Current - Maximum per Contact 5A
Voltage - Maximum 250V

Solder Process Data

Duration at Max. Process Temperature (seconds) 30
Lead-free Process Capability Reflow Capable (SMT only)
Max. Cycles at Max. Process Temperature 3
Process Temperature max. C 260

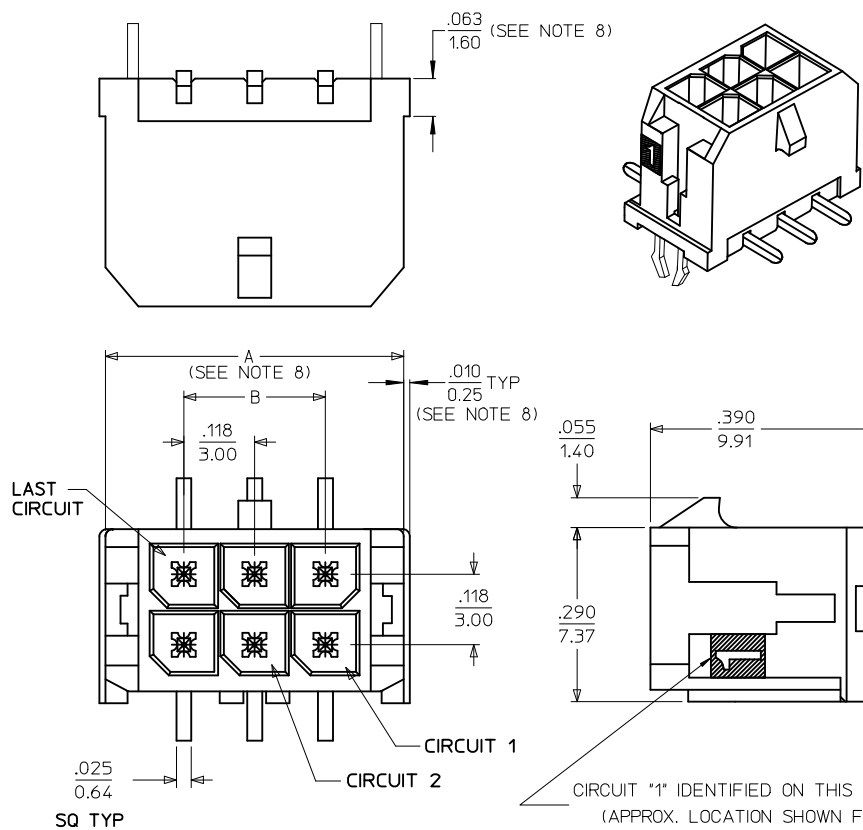
Material Info

Reference - Drawing Numbers

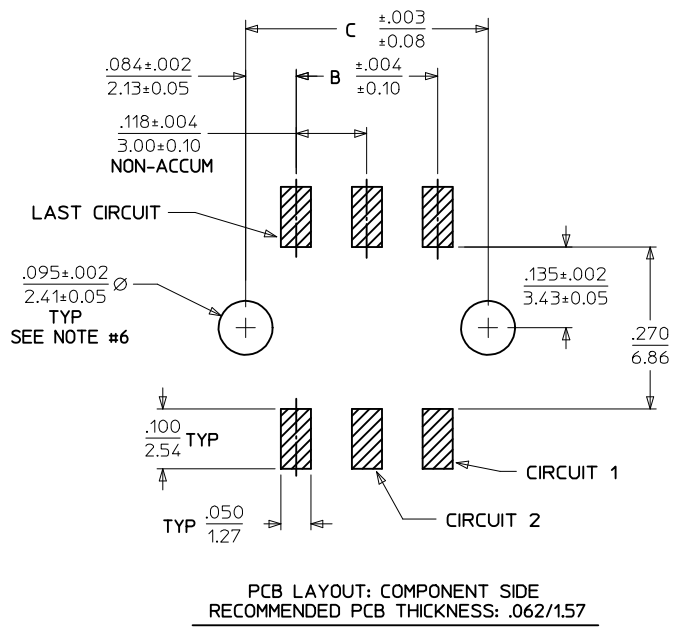
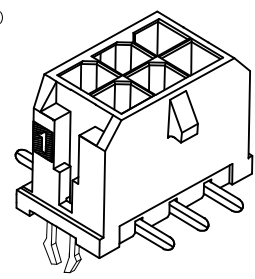
Application Specification AS-43555-001
Packaging Specification PK-70873-05**
Product Specification PS-43045, RPS-43045-003, RPS-43045-004
Sales Drawing SD-43045-006
Test Summary TS-43045-001

This document was generated on 05/24/2010

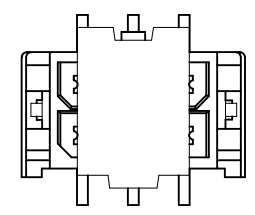
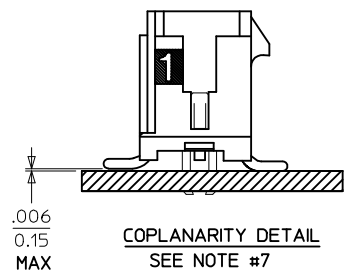
PLEASE CHECK WWW.MOLEX.COM FOR LATEST PART INFORMATION



- NOTES:**
- HOUSING MATERIAL: GLASS FILLED LIQUID CRYSTAL POLYMER, UL94V-0, COLOR: BLACK
TERMINAL MATERIAL: BRASS ALLOY
 - FINISH: A = .000100/(0.00254) MIN. TIN OVER
.000050/(0.00127) MIN. NICKEL PLATE.
B = .000015/(0.00038) MIN. SELECT GOLD IN CONTACT AREA,
.000100/(0.00254) MIN. SELECT MATTE TIN ON SOLDER TAILS,
BOTH OVER .000050/(0.00127) MIN. NICKEL PLATE.
C = .000030/(0.00076) MIN. SELECT GOLD IN CONTACT AREA,
.000100/(0.00254) MIN. SELECT MATTE TIN ON SOLDER TAILS,
BOTH OVER .000050/(0.00127) MIN. NICKEL PLATE.
 - * THE PRIMARY SHIPPING CARTON WILL BE LABELED "COMPLIANT TO RoHS DIRECTIVE 2002/95/EC AND ELV ANNEX II OF DIRECTIVE 2000/53/EC." CARTONS WITHOUT THIS LABEL MAY CONTAIN PRODUCT WITH TIN/LEAD IN THE PC TAIL AREA.
 - PRODUCT SPECIFICATION: PS-43045
 - TAPE AND REEL PACK : SEE MOLEX DRAWING PK-70873-05**
 - MATES WITH MICRO FIT (3.0) RECEPTACLE SERIES 43025
 - TO MINIMIZE INSERTION FORCE OF MOUNTING CLIPS DURING ROBOTIC PLACEMENT THE HOLE DIAMETER SHOULD BE INCREASED TO .108±.002 / 2.74±0.05 AND THEN EVALUATED PER PLACEMENT EQUIPMENT.
 - THE COPLANARITY DIMENSION IS ESTABLISHED BY PLACING THE ASSEMBLY ON A FLAT SURFACE. THE DISTANCE FROM THAT SURFACE TO THE BOTTOM OF ANY TERMINAL MUST NOT EXCEED .006/0.15
 - .010/0.25 OFFSETS ARE PRESENT ON ALL PARTS MANUFACTURED AFTER 11/1/2007, AND ON PARTS PRIOR TO 11/1/2007 THAT CONTAIN A GREEN DOT ON THE PRIMARY SHIPPING CARTON LABEL.
 - THIS PART CONFORMS TO CLASS B REQUIREMENTS OF COSMETIC SPECIFICATION PS-45499-002.



PCB LAYOUT: COMPONENT SIDE
RECOMMENDED PCB THICKNESS: .062/1.57



SHOWN WITH DISPOSABLE CAP
(FOR REMOVAL FROM TAPE & REEL PACKAGING)
SEE NOTE #4

| CKTS | FINISH A | FINISH B | FINISH C |
|------|--------------|--------------|--------------|
| | MATERIAL NO: | MATERIAL NO: | MATERIAL NO: |
| 02 | 43045-0215 | 43045-0216 | 43045-0217 |
| 04 | 43045-0415 | 43045-0416 | 43045-0417 |
| 06 | 43045-0615 | 43045-0616 | 43045-0617 |
| 08 | 43045-0815 | 43045-0816 | 43045-0817 |
| 10 | 43045-1015 | 43045-1016 | 43045-1017 |
| 12 | 43045-1215 | 43045-1216 | 43045-1217 |
| 14 | 43045-1415 | 43045-1416 | 43045-1417 |
| 16 | 43045-1615 | 43045-1616 | 43045-1617 |
| 18 | 43045-1815 | 43045-1816 | 43045-1817 |
| 20 | 43045-2015 | 43045-2016 | 43045-2017 |
| 22 | 43045-2215 | 43045-2216 | 43045-2217 |
| 24 | 43045-2415 | 43045-2416 | 43045-2417 |

| ADD: .44/11.2 DIM EC NO: UCP2009-1183 DRW:WSSOUSEK 2008/11/106 CHK:DKK/PPER 2008/11/111 APPR:FSM/LTH 2008/11/111 F2 | QUALITY SYMBOLS ▽=0 ▽=0 | GENERAL TOLERANCES (UNLESS SPECIFIED) <table border="1"> <tr><th></th><th>mm</th><th>INCH</th></tr> <tr><td>4 PLACES ±</td><td>---</td><td>---</td></tr> <tr><td>3 PLACES ±</td><td>---</td><td>±.010</td></tr> <tr><td>2 PLACES ±</td><td>0.25</td><td>±.014</td></tr> <tr><td>1 PLACE ±</td><td>0.36</td><td>±---</td></tr> </table> ANGULAR ±1/2° | | mm | INCH | 4 PLACES ± | --- | --- | 3 PLACES ± | --- | ±.010 | 2 PLACES ± | 0.25 | ±.014 | 1 PLACE ± | 0.36 | ±--- | DIMENSION STYLE IN/MM DRAWN BY: SAMIEC DATE: 2000/03/15 CHECKED BY: MUELLER DATE: 2000/03/15 APPROVED BY: EDGLEY DATE: 2000/03/15 | SCALE: 1:1 DESIGN UNITS: METRIC THIRD ANGLE PROJECTION | TITLE: MICRO FIT (3.0) DUAL ROW VERTICAL SMT HEADER W/CLIPS ASS'Y MOLEX INCORPORATED |
|--|-------------------------------|---|---------------------|----|------|------------|-----|-----|------------|-----|-------|------------|------|-------|-----------|------|------|---|--|--|
| | | mm | INCH | | | | | | | | | | | | | | | | | |
| | 4 PLACES ± | --- | --- | | | | | | | | | | | | | | | | | |
| | 3 PLACES ± | --- | ±.010 | | | | | | | | | | | | | | | | | |
| 2 PLACES ± | 0.25 | ±.014 | | | | | | | | | | | | | | | | | | |
| 1 PLACE ± | 0.36 | ±--- | | | | | | | | | | | | | | | | | | |
| DRAFT WHERE APPLICABLE MUST REMAIN WITHIN DIMENSIONS | MATERIAL NO. SEE CHART | DOCUMENT NO. SD-43045-006 | SHEET NO. 1 OF 1 | | | | | | | | | | | | | | | | | |
| THIS DRAWING CONTAINS INFORMATION THAT IS PROPRIETARY TO MOLEX INCORPORATED AND SHOULD NOT BE USED WITHOUT WRITTEN PERMISSION | | | | | | | | | | | | | | | | | | | | |

| CKTS | A | B | C |
|------|--------------|-------------|-------------|
| | (SEE NOTE 8) | | |
| 02 | .262/6.65 | NA | .169/4.30 |
| 04 | .380/9.65 | .118/3.00 | .287/7.30 |
| 06 | .498/12.65 | .236/6.00 | .405/10.30 |
| 08 | .616/15.65 | .354/9.00 | .524/13.30 |
| 10 | .734/18.65 | .472/12.00 | .642/16.30 |
| 12 | .852/21.65 | .591/15.00 | .760/19.30 |
| 14 | .970/24.65 | .709/18.00 | .878/22.30 |
| 16 | 1.088/27.65 | .827/21.00 | .996/25.30 |
| 18 | 1.206/30.65 | .945/24.00 | 1.114/28.30 |
| 20 | 1.325/33.65 | 1.063/27.00 | 1.232/31.30 |
| 22 | 1.443/36.65 | 1.181/30.00 | 1.350/34.30 |
| 24 | 1.561/39.65 | 1.299/33.00 | 1.469/37.30 |