

**PLEASE CHECK WWW.MOLEX.COM FOR LATEST PART INFORMATION**

**Part Number:** [0472192001](#)  
**Status:** **Active**  
**Description:** 1.10mm (.043") Pitch microSD Card Connector, Hinge Type, Lead free

**Documents:**

[Drawing \(PDF\)](#) [RoHS Certificate of Compliance \(PDF\)](#)  
[Product Specification PS-47219-001 \(PDF\)](#)

**General**

Product Family	Memory Card Sockets
Series	<a href="#">47219</a>
Button Type	N/A
Comments	Hinge Type
Component Type	Header & Ejector (Host)
Product Name	microSD Card, TransFlash
Type	N/A

**Physical**

Card Detection Switch	No
Circuits (Loaded)	8
Circuits (maximum)	8
Color - Resin	Black
Durability (mating cycles max)	5,000
Ejector Button Side	No Ejector Button Present
Entry Angle	90° Angle (Side Entry)
Keying to Mating Part	Yes
Material - Metal	Copper Alloy, Stainless Steel
Material - Plating Mating	Gold
Material - Plating Termination	Tin
Material - Resin	High Temperature Thermoplastic
PCB Locator	No
PCB Mounting Side	Normal
PCB Retention	Yes
Packaging Type	Embossed Tape on Reel
Pitch - Mating Interface (in)	0.043 In
Pitch - Mating Interface (mm)	1.10 mm
Pitch - Term. Interface (in)	0.043 In
Pitch - Term. Interface (mm)	1.10 mm
Plating min: Mating (µin)	20
Plating min: Mating (µm)	0.5
Ports	1
Temperature Range - Operating	-20°C to +85°C
Termination Interface: Style	Surface Mount

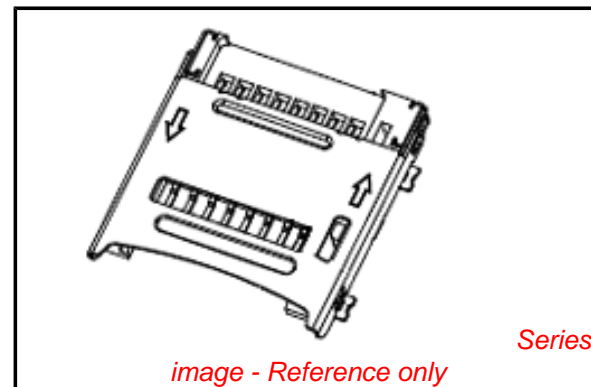
**Electrical**

Current - Maximum per Contact	0.5A
Shielded	Yes
Voltage - Maximum	100V DC

**Material Info**

**Reference - Drawing Numbers**

Product Specification	PS-47219-001
Sales Drawing	SD-47219-001



**EU RoHS**

**ELV and RoHS  
Compliant**  
**REACH SVHC  
Not Reviewed**  
**Halogen-Free  
Status**

**China RoHS**



**Need more information on product  
environmental compliance?**

Email [productcompliance@molex.com](mailto:productcompliance@molex.com)  
 For a multiple part number RoHS Certificate of  
 Compliance, [click here](#)

Please visit the [Contact Us](#) section for any  
 non-product compliance questions.

**Search Parts in this Series**

[47219Series](#)

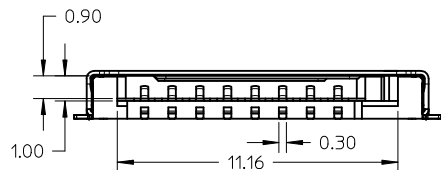
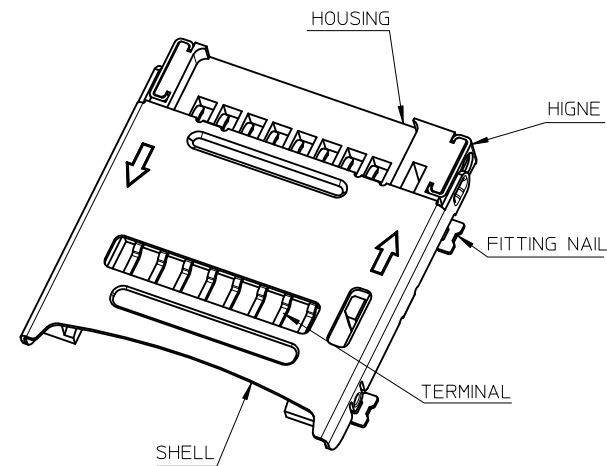
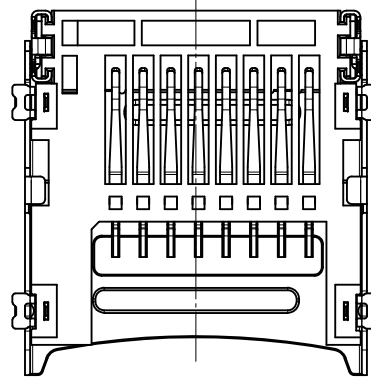
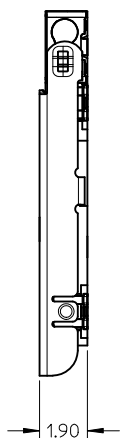
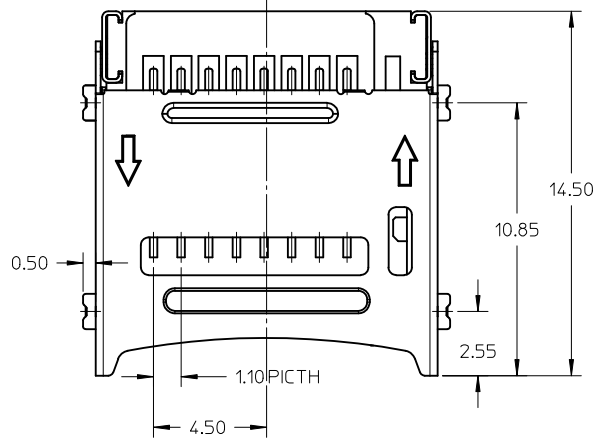
**Use With**

microSD Card

This document was generated on 05/17/2010

**PLEASE CHECK [WWW.MOLEX.COM](http://WWW.MOLEX.COM) FOR LATEST PART INFORMATION**

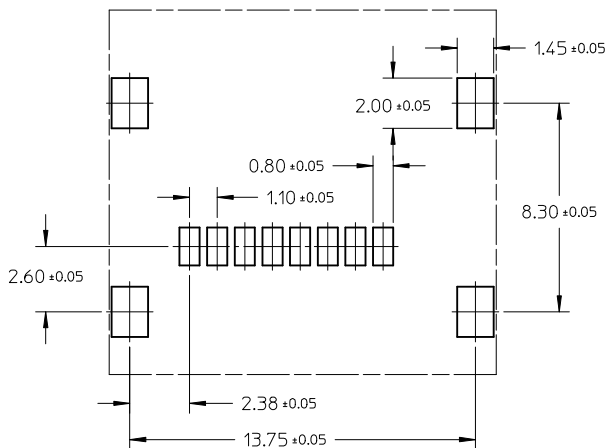
10 9 8 7 6 5 4 3 2 1



P/N	Gold PLATING ON CONTACT AREA
472190001	2u" min.
472192001	20u" min.

NOTES:

- 1 MATERIAL:
  - 1-1 TERMINAL, FITTING NAIL, HIGE : COPPER ALLOY
  - 1-2 SHELL : STAINLESS STEEL
  - 1-3 HOUSING : LCP, UL 94-V0, BLACK
- 2 FINISH:
  - 2-1 TERMINAL : OVERALL NICKEL UNDERPLATED, GOLD PLATING ON CONTACT AREA TIN PLATING ON SOLDER TAIL
  - 2-2 FITTING NAIL : OVERALL NICKEL UNDERPLATED, TIN PLATED ON SOLDER AREA
  - 2-3 HIGE : OVERALL NICKEL PLATING
- 3 MECHANICAL SPECIFICATION:
  - DURABILITY MATED 5,000 TIMES AND STILL MEET ELECTRICAL CHARACTERISTICS
- 4 ELECTRICAL SPECIFICATION:
  - 4-1 RATED CURRENT (PER CONTACT) : 0.5AMPS MAX AND TEMPERATURE RISE SHOULD BE 30°C MAX
  - 4-2 INSULATION RESISTANCE(I.R):100 MEGOHMS MIN.
  - 4-3 DIELECTRIC WITHSTANDING VOLTAGE : N/A
  - 4-4 CONTACT RESISTANCE: 100 MILLIOHMS MAX
- 5 COMPLIANT TO RoHS DIRECTIVE 2002/95/EC AND ELV 2000/53/EC.
- 6 PRODUCT PACKING: PK-47219-001.
- 7 PRODUCT SPECIFICATION: PS-47219-001.



ADD P/N EC NO: SH2010-0374 DRW:WFDENG 2010/03/23 CHKD:XU XIANG 2006-03-15 APPR:XJSONG 2010/04/29	QUALITY SYMBOLS $F_A=0$ $F_C=0$ $F_B=0$	GENERAL TOLERANCES (UNLESS SPECIFIED)		DIMENSION STYLE MM ONLY		SCALE 5:1	DESIGN UNITS METRIC	THIRD ANGLE PROJECTION			
		4 PLACES ± --- ± ---	3 PLACES ± --- ± ---	2 PLACES ± 0.15 ± ---	1 PLACE ± --- ± ---	DRAWN BY XU XIANG	DATE 2005-09-27	TITLE TFR READER (HINGE TYPE)			
		ANGULAR ±1/2°				CHECKED BY XU XIANG	DATE 2006-03-15	MOLEX INCORPORATED			
		DRAFT WHERE APPLICABLE MUST REMAIN WITHIN DIMENSIONS				APPROVED BY XJSONG	DATE 2010/04/27	MATERIAL NO. SEE TABLE	DOCUMENT NO. SD-47219-001	SHEET NO. 1 OF 1	

9 8 7 6 5 4 3 2 1