

PLEASE CHECK WWW.MOLEX.COM FOR LATEST PART INFORMATION

Part Number: **0876582006**
Status: **Active**
Overview: extreme_powerplus_ssi
Description: 6.35mm (.250") Pitch, EXTreme PowerPlus™ Header, All Power, Through Hole, Right Angle, 2 Circuits, with Beveled Metal Pin, Lead-free

Documents:

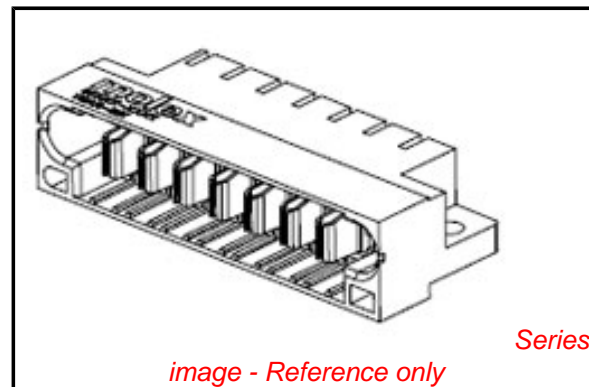
[3D Model](#) [Product Specification PS-87631-006 \(PDF\)](#)
[Drawing \(PDF\)](#) [RoHS Certificate of Compliance \(PDF\)](#)

General

Product Family	PCB Headers
Series	<u>87658</u>
Application	Board-to-Board
Overview	<u>extreme_powerplus_ssi</u>
Product Name	EXTreme PowerPlus™

Physical

Breakaway	No
Circuits (Loaded)	2
Circuits (maximum)	2
Circuits Detail	All Power
Color - Resin	Black
Durability (mating cycles max)	100
First Mate / Last Break	No
Glow-Wire Compliant	No
Guide to Mating Part	No
Keying to Mating Part	None
Lock to Mating Part	Yes
Material - Metal	Copper Alloy
Material - Plating Mating	Gold
Material - Plating Termination	Tin
Material - Resin	High Temperature Thermoplastic
Number of Rows	1
Orientation	Right Angle
PC Tail Length (in)	0.135 In
PC Tail Length (mm)	3.43 mm
PCB Locator	Yes
PCB Retention	Yes
PCB Thickness Recommended (in)	0.062 In
PCB Thickness Recommended (mm)	1.57 mm
Packaging Type	Tray
Pitch - Mating Interface (in)	0.250 In
Pitch - Mating Interface (mm)	6.35 mm
Pitch - Term. Interface (in)	0.100 In, 0.150 In
Pitch - Term. Interface (mm)	2.54 mm, 3.81 mm
Plating min: Mating (µin)	30
Plating min: Mating (µm)	0.76
Plating min: Termination (µin)	101.6
Plating min: Termination (µm)	2.54
Polarized to Mating Part	Yes
Polarized to PCB	Yes
Shrouded	Closed Ends
Stackable	No
Surface Mount Compatible (SMC)	Yes
Temperature Range - Operating	-20°C to +105°C



EU RoHS

ELV and RoHS Compliant
REACH SVHC
 Not Reviewed
Halogen-Free Status

China RoHS



Need more information on product environmental compliance?

Email productcompliance@molex.com
 For a multiple part number RoHS Certificate of Compliance, [click here](#)

Please visit the [Contact Us](#) section for any non-product compliance questions.

Search Parts in this Series

[87658Series](#)

Mates With

[87691](#) EXTreme PowerPlus™ all Power Receptacle

Termination Interface: Style Through Hole

Electrical

Current - Maximum per Contact 50A
Voltage - Maximum 250V DC

Solder Process Data

Duration at Max. Process Temperature (seconds) 10
Lead-free Process Capability SMC & Wave Capable (TH only)
Max. Cycles at Max. Process Temperature 3
Process Temperature max. C 260

Material Info

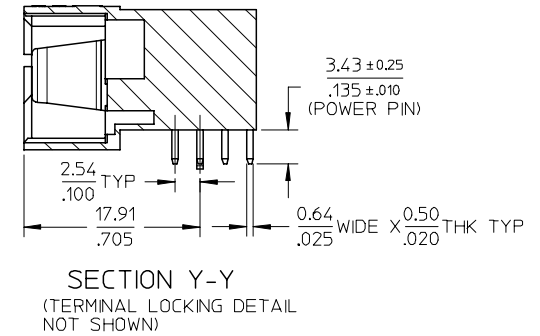
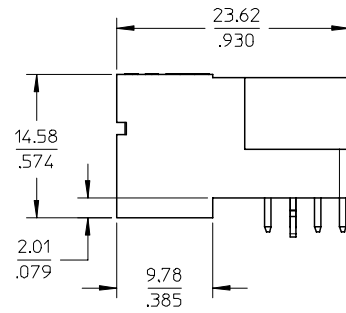
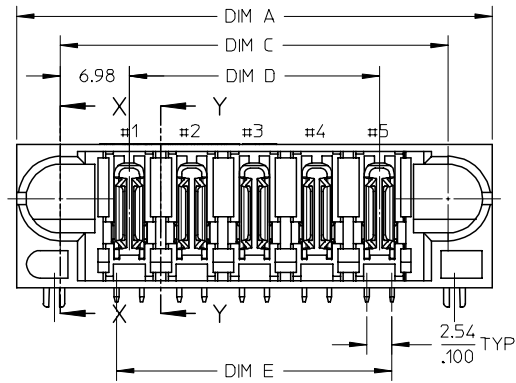
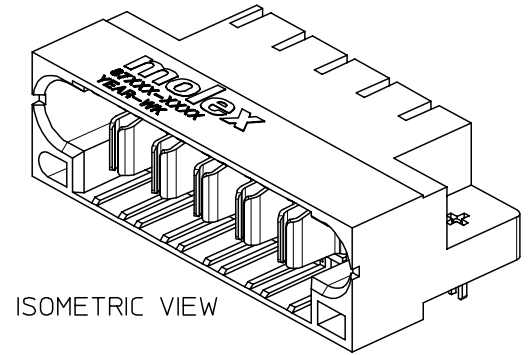
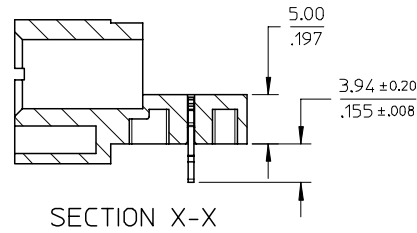
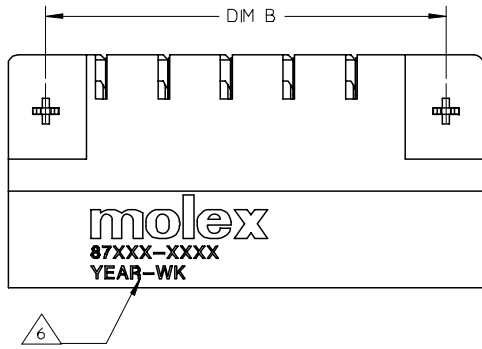
Reference - Drawing Numbers

Application Specification AS-87631-018
Product Specification PS-87631-006
Sales Drawing SD-87658-013

This document was generated on 05/25/2010

PLEASE CHECK WWW.MOLEX.COM FOR LATEST PART INFORMATION

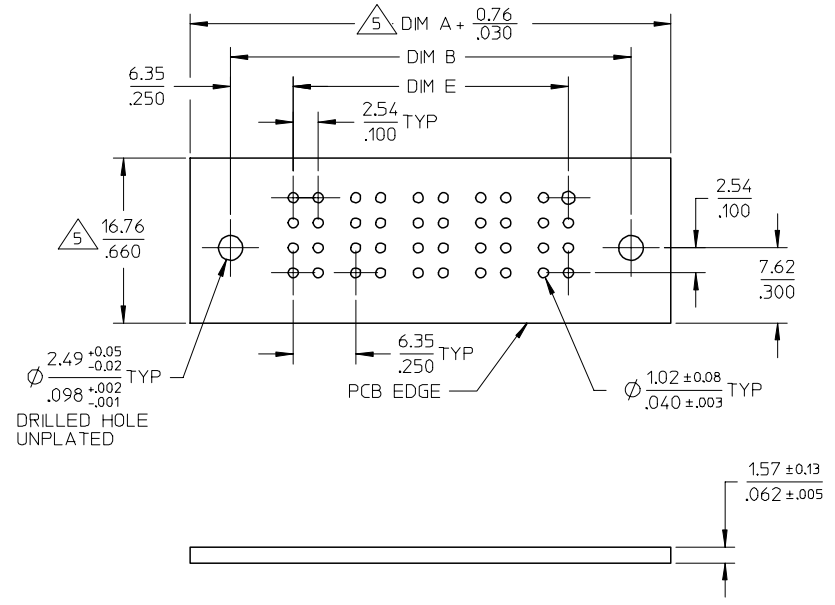
10 9 8 7 6 5 4 3 2 1



PDR#S-001437-00-00 EC NO: S2007-0474 DRWN:KELIM CHKD:MLONG APPR:SKTOH	2006/12/08 2006/12/11 2006/12/11	QUALITY SYMBOLS ▽=0 ▽=0	GENERAL TOLERANCES (UNLESS SPECIFIED)		DIMENSION STYLE	SCALE	DESIGN UNITS	THIRD ANGLE PROJECTION			
					MM/IN	NTS	METRIC				
					DRAWN BY	DATE	TITLE				
					DATE	DATE	HEADER				
D1	REV	DESCRIPTION	4 PLACES ± --- ± ---		BHLOW	2002/11/14	ALL POWER CONFIGURATION BOARD-LOCK, R/A, T/H				
			3 PLACES ± --- ± .010		CHECKED BY	DATE	MOLEX INCORPORATED				
			2 PLACES ± 0.25 ± ---		PTL IM	2002/11/26					
			1 PLACE ± --- ± ---		APPROVED BY	DATE					
			ANGULAR ± 3 °		SKTOH	2002/11/27					
			DRAFT WHERE APPLICABLE MUST REMAIN WITHIN DIMENSIONS		MATERIAL NO.	DATE	DOCUMENT NO.		SHEET NO.		
					SEE TABLE		SD-87658-013		1 OF 2		
					SIZE	THIS DRAWING CONTAINS INFORMATION THAT IS PROPRIETARY TO MOLEX INCORPORATED AND SHOULD NOT BE USED WITHOUT WRITTEN PERMISSION					
					A3						

9 8 7 6 5 4 3 2 1

10	9	8	7	6	5	4	3	2	1
PART NUMBER	PART STATUS	PACKAGING	POWER CONFIGURATION NO. OF POWER	DIM A	DIM B	DIM C	DIM D	DIM E	
				87658-2005	TOOLED	TRAY	5	48.26 1.900	40.64 1.600
87658-2006	TOOLED	TRAY	2	29.21 1.150	21.59 .850	20.32 .800	6.35 .250	8.89 .350	



- NOTES:
- MATERIALS: LCP, GLASS FILLED, UL94V-0, COLOUR: BLACK
POWER PINS - COPPER ALLOY
 - FINISHES: POWER PINS:
SELECTIVE GOLD IN CONTACT AREA.
THICKNESS= 0.76 MICROMETER/ 30 MICROINCH MINIMUM
SELECTIVE TIN ALLOY IN THE PC TAIL AREA
THICKNESS= 2.54 MICROMETER/.100 MICROINCH
MINIMUM 1.27um MINIMUM NICKEL OVERALL UNDERPLATE
 - PRODUCT SPECIFICATION: PS-87631-006.
 - SEE SHEET 2 FOR RECOMMENDED PCB LAYOUT AND THICKNESS.
 - COMPONENT STAY AWAY ZONE FROM CONNECTOR.
 - MANUFACTURER LOGO, PART NUMBER AND YEAR-WEEK CODE.
 - 5 POWER CONFIGURATION IS SHOWN FOR ILLUSTRATION ONLY.
POWER CONFIGURATION IS AVAILABLE UP TO 203MM/INCH.
PLEASE CONTACT MOLEX SALES PERSONNEL FOR OTHER
CONFIGURATION AND OPTION NEEDED.

PDR#S-001437-00-00	2006/12/08	2006/12/11	2006/12/11
EC NO: S2007-0474	DRWN:KELIM	CHKD:MLONG	APPR:SKTOH
D1	REV	DESCRIPTION	

QUALITY SYMBOLS	▽=0	▽=0
-----------------	-----	-----

GENERAL TOLERANCES (UNLESS SPECIFIED)	
mm	INCH
4 PLACES ± ---	± ---
3 PLACES ± ---	± .010
2 PLACES ± 0.25	± ---
1 PLACE ± ---	± ---
ANGULAR ± 3 °	
DRAFT WHERE APPLICABLE MUST REMAIN WITHIN DIMENSIONS	

DIMENSION STYLE	
MM/IN	DATE
DRAWN BY	BHLOW
CHECKED BY	PTL IM
APPROVED BY	SKTOH
MATERIAL NO.	DATE
SIZE	A3

SCALE	DESIGN UNITS	THIRD ANGLE PROJECTION
NTS	METRIC	☉
TITLE		
HEADER		
ALL POWER CONFIGURATION BOARD-LOCK, R/A, T/H		
MOLEX INCORPORATED		
DOCUMENT NO.	SHEET NO.	
SD-87658-013	2 OF 2	
THIS DRAWING CONTAINS INFORMATION THAT IS PROPRIETARY TO MOLEX INCORPORATED AND SHOULD NOT BE USED WITHOUT WRITTEN PERMISSION		