

PLEASE CHECK WWW.MOLEX.COM FOR LATEST PART INFORMATION

Part Number: [0476611001](#)

Status: **Active**

Overview: [external serial ata](#)

Description: 1.27mm (.050"), 2.00mm (.079") 2.50mm (.098") Pitch External Serial ATA and USB Combo Receptacle, Top Mount Type, Through Hole, Right Angle, 0.38µm (15µ") Gold (Au) Plating, with Shell Forklock and Pegs, Tape on Reel Packaging, Lead free

Documents:

[3D Model](#)

[Drawing \(PDF\)](#)

[Product Specification PS-47661-001 \(PDF\)](#)

[RoHS Certificate of Compliance \(PDF\)](#)

General

Product Family	PCB Receptacles
Series	47661
Application	Wire-to-Board
Comments	Combined Storage and I/O Connector
Overview	external serial ata
Product Name	External Serial ATA, USB

Physical

Circuits (Loaded)	11
Color - Resin	Black
Durability (mating cycles max)	1,500
Glow-Wire Compliant	No
Guide to Mating Part	Yes
Keying to Mating Part	Yes
Lock to Mating Part	Yes
Material - Metal	Copper Alloy
Material - Plating Mating	Gold
Material - Plating Termination	Tin
Material - Resin	High Temperature Thermoplastic
Number of Rows	2
Orientation	Right Angle
PCB Locator	Yes
PCB Retention	Yes
Packaging Type	Embossed Tape on Reel
Pitch - Mating Interface (in)	0.050 In, 0.079 In, 0.098 In
Pitch - Mating Interface (mm)	1.27 mm, 2.00 mm, 2.50 mm
Pitch - Term. Interface (in)	0.050 In, 0.079 In, 0.098 In
Pitch - Term. Interface (mm)	1.27 mm, 2.00 mm, 2.50 mm
Plating min: Mating (µin)	15
Plating min: Mating (µm)	0.38
Plating min: Termination (µin)	2.00
Plating min: Termination (µm)	0.05
Polarized to Mating Part	Yes
Polarized to PCB	Yes
Temperature Range - Operating	-35°C to +85°C
Termination Interface: Style	Through Hole

Electrical

Current - Maximum per Contact	1.5A
Voltage - Maximum	15V DC

Solder Process Data

Duration at Max. Process Temperature (seconds)	3
Lead-free Process Capability	Reflow Capable (SMT only)

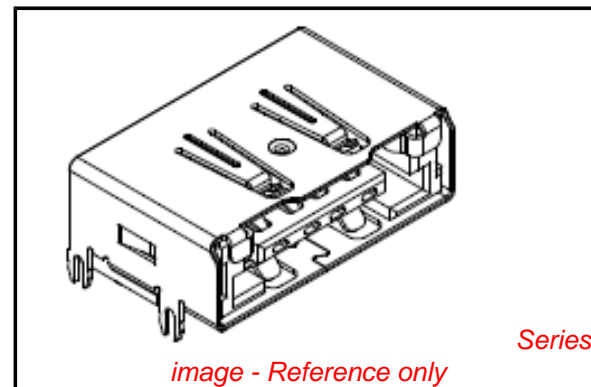


image - Reference only

EU RoHS

ELV and RoHS Compliant

REACH SVHC

Not Reviewed

Halogen-Free

Status

Halogen-Free

China RoHS



Need more information on product environmental compliance?

Email productcompliance@molex.com
For a multiple part number RoHS Certificate of Compliance, [click here](#)

Please visit the [Contact Us](#) section for any non-product compliance questions.

Search Parts in this Series

47661Series

Max. Cycles at Max. Process Temperature	1
Process Temperature max. C	255

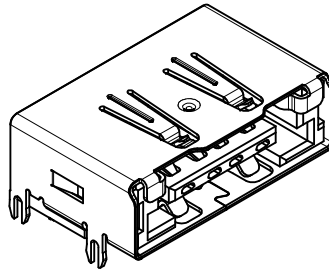
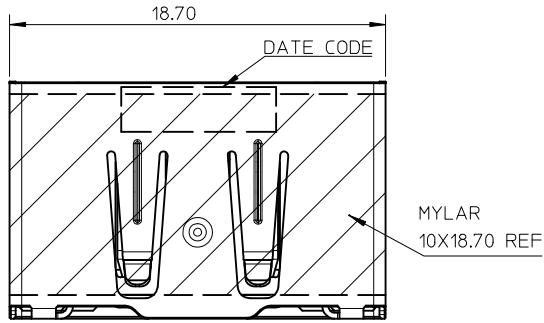
Material Info

Reference - Drawing Numbers

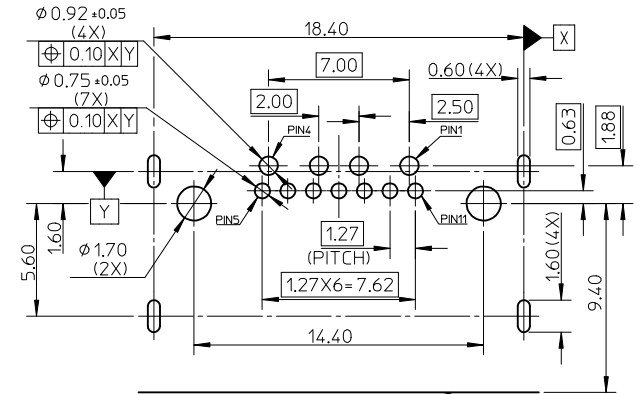
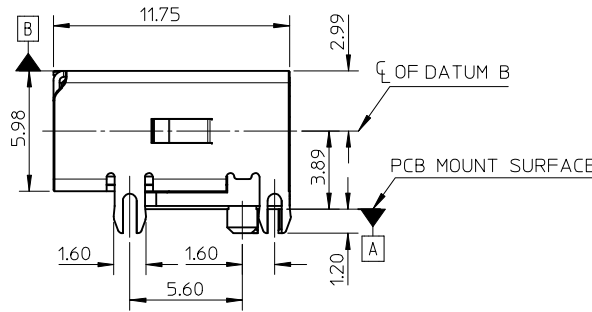
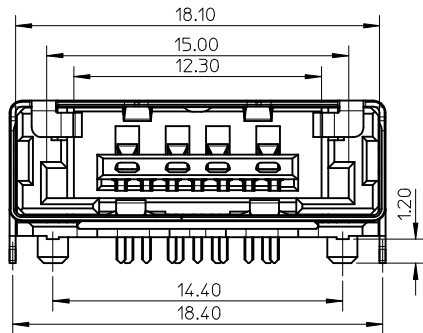
Packaging Specification	PK-47661-100
Product Specification	PS-47661-001
Sales Drawing	SD-47661-100

This document was generated on 05/31/2010

PLEASE CHECK WWW.MOLEX.COM FOR LATEST PART INFORMATION



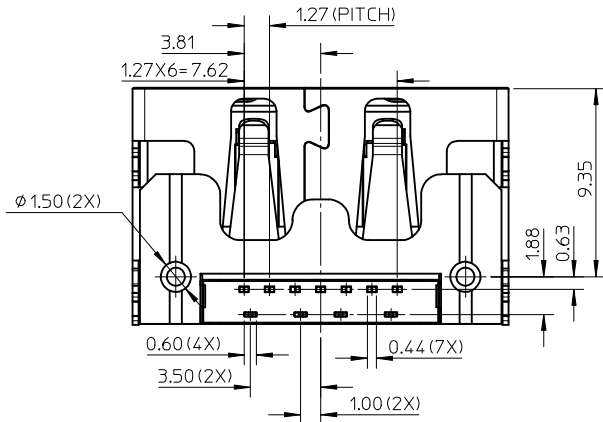
- NOTES:
- MATERIAL: HIGH TEMPERATURE THERMOPLASTIC, 30% GLASS FILLED, BLACK, UL94V-0.
TERMINAL-1: COPPER ALLOY.
TERMINAL-2: COPPER ALLOY.
METAL SHELL: STAINLESS STEEL.
 - TERMINAL PLATING:
CONTACT AREA: GOLD PLATING.
SOLDER AREA: TIN PLATING, 2.0 MICROMETERS MINIMUM.
UNDER PLATING: NIKEL PLATING, 2.0 MICROMETERS MINIMUM.
 - MATAL SHELL PLATING:
SOLDERABLE NIKEL PLATING.
 - PRODUCT COMPLIANT TO RoSH DIRECTIVE 2002/95/EC AND ELV2000/53/EC.



PIN ASSIGNMENT

USB		I/O SATA	
NAME	TYPE	NAME	TYPE
P1	VBUS	P5	GND
P2	D-	P6	A+
P3	D+	P7	A-
P4	GND	P8	GND
		P9	B-
		P10	B+
		P11	GND

RECOMMENDED PCB EDGE
RECOMMENDED PCB LAYOUT T=1.2MM
CONNECTOR SIDE;TOLERANCE:±0.05



P/N	GOLD PLATING SPEC
47661-1000	GOLD FLASH
47661-1001	15u" MINIMUM
47661-1002	30u" MINIMUM

<p>NEW RELEASE EC NO: SH2010-0021 DRAWN:GLLI 2009/09/10 CHKD:XJISONG 2009/09/10 APPR:RZHANG 2009/09/25</p>	<p>QUALITY SYMBOLS ▽=0 ▽=0</p>	<p>GENERAL TOLERANCES (UNLESS SPECIFIED)</p> <table border="1"> <thead> <tr> <th></th> <th>mm</th> <th>INCH</th> </tr> </thead> <tbody> <tr> <td>4 PLACES</td> <td>± ---</td> <td>± ---</td> </tr> <tr> <td>3 PLACES</td> <td>± ---</td> <td>± ---</td> </tr> <tr> <td>2 PLACES</td> <td>± 0.25</td> <td>± ---</td> </tr> <tr> <td>1 PLACE</td> <td>± 0.35</td> <td>± ---</td> </tr> <tr> <td colspan="3">ANGULAR ± 3 °</td> </tr> </tbody> </table>			mm	INCH	4 PLACES	± ---	± ---	3 PLACES	± ---	± ---	2 PLACES	± 0.25	± ---	1 PLACE	± 0.35	± ---	ANGULAR ± 3 °			<p>DIMENSION STYLE MM ONLY</p>	<p>SCALE 4:1</p>	<p>DESIGN UNITS METRIC</p>	<p>THIRD ANGLE PROJECTION</p>
			mm	INCH																					
		4 PLACES	± ---	± ---																					
		3 PLACES	± ---	± ---																					
2 PLACES	± 0.25	± ---																							
1 PLACE	± 0.35	± ---																							
ANGULAR ± 3 °																									
<p>DRAFT WHERE APPLICABLE MUST REMAIN WITHIN DIMENSIONS</p>		<p>DRAWN BY DIXON LI</p> <p>CHECKED BY STARY SONG</p> <p>APPROVED BY HARVEY WANG</p> <p>MATERIAL NO. SEE CHART</p>	<p>DATE 2008/11/12</p> <p>DATE 2008/11/12</p> <p>DATE 2008/11/12</p>	<p>TITLE SALES DRAWING FOR COMBO OF E-SATA & USB TOP MOUNT TYPE</p>																					
		<p>MOLEX INCORPORATED</p>			<p>DOCUMENT NO. SD-47661-100</p>																				
		<p>THIS DRAWING CONTAINS INFORMATION THAT IS PROPRIETARY TO MOLEX INCORPORATED AND SHOULD NOT BE USED WITHOUT WRITTEN PERMISSION</p>			<p>SHEET NO. 1 OF 1</p>																				