

**PLEASE CHECK WWW.MOLEX.COM FOR LATEST PART INFORMATION**

**Part Number:** [0192150047](#)  
**Status:** **Active**  
**Description:** VersaKrimp™ Butt Splice for 1/0 AWG Wire

**Documents:**

[Drawing \(PDF\)](#) [RoHS Certificate of Compliance \(PDF\)](#)

**Agency Certification**

CSA LR18689  
 UL E32244

**General**

Product Family Splices  
 Series [19215](#)  
 Crimp Quality Equipment Yes  
 Mil-Spec N/A  
 Product Name Butt, VersaKrimp™

**Physical**

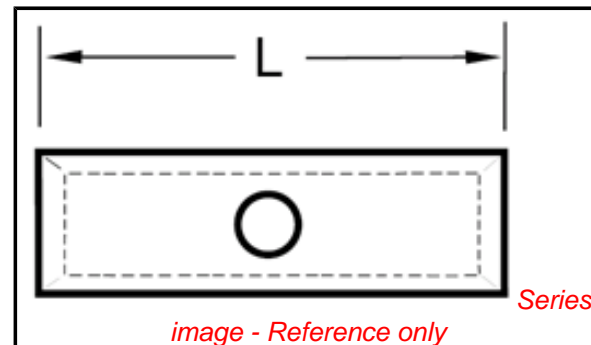
Barrel Type Closed - Brazed  
 Insulation None  
 Packaging Type Bag  
 Wire Size AWG 1/0

**Material Info**

Old Part Number H-383

**Reference - Drawing Numbers**

Sales Drawing CD31003



**EU RoHS**

**ELV and RoHS Compliant**

**REACH SVHC**

Not Reviewed

**Halogen-Free**

**Status**

**Not Reviewed**

**China RoHS**



**Need more information on product environmental compliance?**

Email [productcompliance@molex.com](mailto:productcompliance@molex.com)  
 For a multiple part number RoHS Certificate of Compliance, [click here](#)

Please visit the [Contact Us](#) section for any non-product compliance questions.

**Search Parts in this Series**

[19215Series](#)

**Application Tooling | FAQ**

*Tooling specifications and manuals are found by selecting the products below. Crimp Height Specifications are then contained in the Application Tooling Specification document.*

**Global**

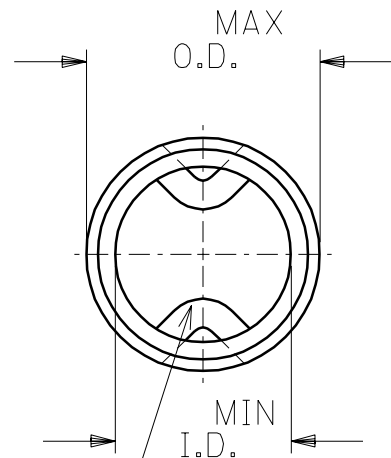
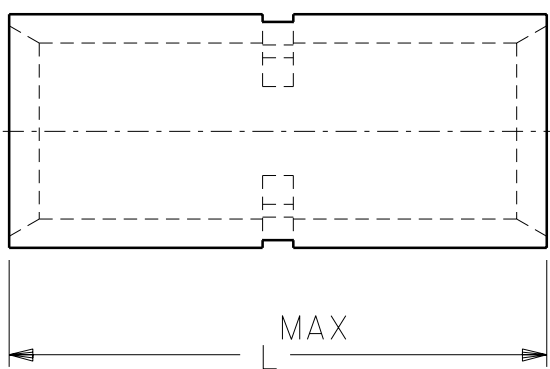
Description	Product #
Manual Putt Pump Hydraulic System, Die set required	<a href="#">0192860117</a>
Die Set (large) for the HHLS Hydraulic Crimper	<a href="#">0192900011</a>
Manual tool for Crimping non-insulated 8AWG thru 4/0 Terminals	<a href="#">0192940008</a>
Putt Pump Dieless Head System	<a href="#">0192860065</a>

This document was generated on 03/16/2010

**PLEASE CHECK [WWW.MOLEX.COM](http://WWW.MOLEX.COM) FOR LATEST PART INFORMATION**

PART NO.	WIRE SIZE	I.D. MIN.	O.D. MAX.	"L" MAX.	WIRE STOP QTY.
D-354	8	.165	.295	.864	ONE
E-362	6	.230	.374	1.045	ONE
F-364	4	.277	.457	1.155	ONE
G-372	2	.357	.538	1.280	ONE
H-383	1/0	.439	.620	1.440	TWO
J-388	2/0	.496	.697	1.440	TWO
K-393	3/0	.554	.760	1.540	TWO
L-378	4/0	.621	.860	1.540	TWO

DRWG. NO. CD-31003



(A)  
WIRE STOP SEE CHART FOR QUANTITY

A	ADDED WIRE STOP INFORMATION ETC60355 3/11 RCM
LTR.	REVISIONS

DIMENSIONS SHOWN (METRIC) INCH	
UNLESS OTHERWISE SPECIFIED TOLERANCES: ANGULAR ± 1/2°	
	INCH      METRIC
3 PLACE	± .005    ± ---
2 PLACE	± .01      ± 0.13
1 PLACE	± ---     ± 0.25
DRAFT WHERE APPLICABLE MUST REMAIN WITHIN DIMENSIONS	
DRWG. BY RCM	CHK'D. BY JM
APP'D. BY FP	SCALE NO:NE

REVISE ONLY ON CAD SYSTEM			
TITLE VERSAKRIMP BUTT CONNECTORS			
molex ETC INC. PINELLAS PARK, FLA. 33781 U.S.A.		SHEET NO.	DATE 94/03/17
PART NO. SEE CHART		DRWG. NO. CD-31003	
FILE NAME CD13003 CST	THIS DRAWING CONTAINS INFORMATION THAT IS PROPRIETARY TO MOLEX-ETC INC. AND SHOULD NOT BE USED WITHOUT WRITTEN PERMISSION.		DIV. SIZE A