

**PLEASE CHECK WWW.MOLEX.COM FOR LATEST PART INFORMATION**

**Part Number:** **0504467125**  
**Status:** **Active**  
**Description:** Ring Tongue Double Hole Terminal for 300 - 350MCM AWG, Closed Uninsulated Brazed Barrel, Stud Size M14, Oxygen-Free Copper, Length 111.00mm (4.370")

**Documents:**

[Drawing \(PDF\)](#) [RoHS Certificate of Compliance \(PDF\)](#)  
[Product Specification PS-50442-001 \(PDF\)](#)

**General**

|                         |                          |
|-------------------------|--------------------------|
| Product Family          | Ring and Spade Terminals |
| Series                  | <u>50446</u>             |
| Crimp Quality Equipment | Yes                      |
| Mil-Spec                | N/A                      |
| Product Name            | RD (Double-Hole)         |
| Type                    | Ring                     |

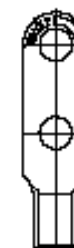
**Physical**

|                                |                      |
|--------------------------------|----------------------|
| Barrel Type                    | Closed - Brazed      |
| Insulation                     | None                 |
| Material - Plating Mating      | Tin                  |
| Packaging Type                 | Bag                  |
| Plating min: Mating (µin)      | 40                   |
| Plating min: Mating (µm)       | 1                    |
| Plating min: Termination (µin) | 40                   |
| Plating min: Termination (µm)  | 1                    |
| Stud Size                      | M14                  |
| Termination Interface: Style   | Crimp or Compression |
| Wire Size AWG                  | 300MCM, 350MCM       |
| Wire Size mm <sup>2</sup>      | 152.05 - 192.6       |

**Material Info**

**Reference - Drawing Numbers**

|                       |              |
|-----------------------|--------------|
| Product Specification | PS-50442-001 |
| Sales Drawing         | SD-50446-001 |



Series

image - Reference only

**EU RoHS**

**ELV and RoHS Compliant**  
**REACH SVHC**  
 Not Reviewed  
**Halogen-Free Status**  
 Not Reviewed

**China RoHS**



**Need more information on product environmental compliance?**

Email [productcompliance@molex.com](mailto:productcompliance@molex.com)  
 For a multiple part number RoHS Certificate of Compliance, [click here](#)

Please visit the [Contact Us](#) section for any non-product compliance questions.

**Search Parts in this Series**

50446Series

**Application Tooling | [FAQ](#)**

*Tooling specifications and manuals are found by selecting the products below. Crimp Height Specifications are then contained in the Application Tooling Specification document.*

**Japan**

| Description             | Product #         |
|-------------------------|-------------------|
| Tool Kit For 57343-9012 | <u>0573439001</u> |

10 9 8 7 6 5 4 3 2 1

F

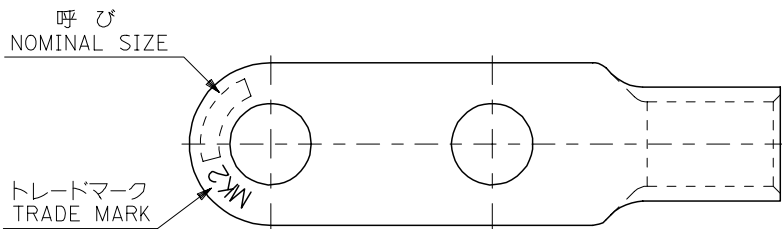
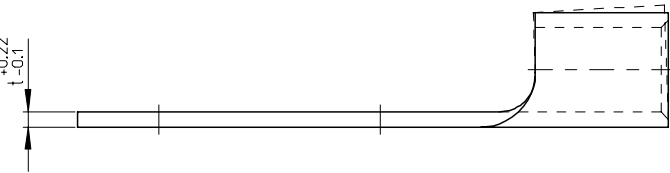
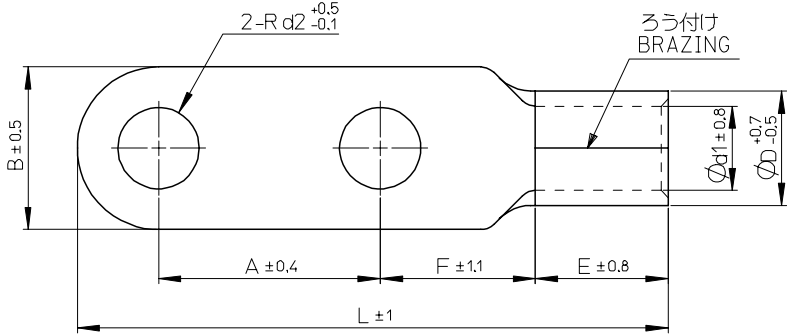
E

D

C

B

A



注記 NOTES

- 1 材質 MATERIAL  
 端子: 無酸素銅、錫めっき  
 TERMINAL: OXYGEN-FREE COPPER, TIN PLATING  
 ろう付け部: 銀ろう  
 PART OF BRAZING: SILVER BRAZING FILLER METALS
- 2. 適用電線 APPLICABLE WIRE RANGE

| 単線<br>SOLID WIRE | 撚線<br>STRANDED WIRE            |
|------------------|--------------------------------|
| 13.8 ~ 15.6 mm   | 152.05 ~ 192.6 mm <sup>2</sup> |

|     |     |       |       |      |     |     |      |      |                    |                    |            |
|-----|-----|-------|-------|------|-----|-----|------|------|--------------------|--------------------|------------|
| 3.5 | --- | 108.8 | ---   | 28.5 | --- | 21  | 28.5 | 38.5 | RD180              | X                  | 50446-7225 |
|     | 16  |       | 21.05 |      | 40  |     |      |      |                    | 14                 | 50446-7125 |
|     | 14  |       |       |      |     |     |      |      |                    | 12                 | 50446-7025 |
| t   | Ød2 | L     | F     | E    | A   | Ød1 | ØD   | B    | 呼び<br>NOMINAL SIZE | 呼び<br>NOMINAL SIZE | ENG. NO.   |

|  |                                       |         |  |  |                   |                        |   |  |  |
|--|---------------------------------------|---------|--|--|-------------------|------------------------|---|--|--|
| RELEASED<br>EC NO: J2007-0312<br>DRW: H.YAJIMA 2007/05/17<br>CHK: K.KASAHARA 2007/05/18<br>APPR: NUKITA 2007/05/18 | GENERAL TOLERANCES (UNLESS SPECIFIED) |         | DIMENSION STYLE<br>MM ONLY                                 |  | SCALE<br>---      | DESIGN UNITS<br>METRIC | THIRD ANGLE PROJECTION  |  |  |
|  | 10 UNDER                              | ± ---   | DRAWN BY<br>H. YAJIMA                                      |  | DATE<br>'06/08/24 |                        | TITLE<br>RING TERMINAL  |  |  |
|  | 10 OVER 30 UNDER                      | ± ---   | CHECKED BY<br>K. KASAHARA                                  |  | DATE<br>'06/08/24 |                        | MOLEX INCORPORATED<br>MATERIAL NO. SEE CHART<br>DOCUMENT NO. SD-50446-001<br>SHEET NO. 1 OF 1 |  |  |
|  | 30 OVER                               | ± ---   | APPROVED BY<br>N. UKITA                                    |  | DATE<br>'06/08/24 |                        |   |  |  |
|  | ANGULAR                               | ± --- ° | DRAFT WHERE APPLICABLE<br>MUST REMAIN<br>WITHIN DIMENSIONS |  | SIZE<br>A3        |                        |   |  |  |