

PLEASE CHECK WWW.MOLEX.COM FOR LATEST PART INFORMATION

Part Number: **0675820000**
Status: **Active**
Overview: serial_ata_products
Description: 1.27mm (.050") Pitch Crimp Housing for Serial ATA Power Cable Receptacle, 15 Circuits, Black

Documents:

[3D Model](#) [Product Specification PS-67490-002 \(PDF\)](#)
[Drawing \(PDF\)](#) [RoHS Certificate of Compliance \(PDF\)](#)

Agency Certification

TUV 30382018.001

General

Product Family Crimp Housings
 Series [67582](#)
 Overview [serial_ata_products](#)
 Product Name Serial ATA

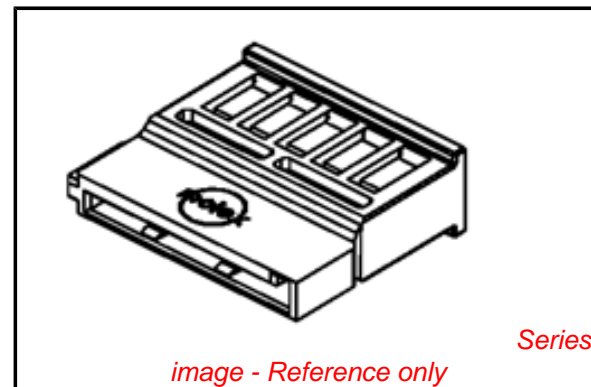
Physical

Circuits Detail 5 sets terminal per housing
 Color - Resin Black
 Flammability 94V-0
 Gender Female
 Glow-Wire Compliant No
 Keying to Mating Part Yes
 Lock to Mating Part No
 Material - Resin Polyester
 Number of Rows 1
 Packaging Type Bag
 Panel Mount No
 Pitch - Mating Interface (in) 0.050 In
 Pitch - Mating Interface (mm) 1.27 mm
 Pitch - Term. Interface (in) 0.050 In
 Pitch - Term. Interface (mm) 1.27 mm
 Polarized to Mating Part No
 Ports 1
 Stackable No
 Temperature Range - Operating -35°C to +85°C

Material Info

Reference - Drawing Numbers

Packaging Specification PK-67582-001
 Product Specification PS-67490-002
 Sales Drawing SD-67582-001



EU RoHS

**ELV and RoHS
Compliant**
REACH SVHC
 Not Reviewed
**Halogen-Free
Status**

China RoHS



**Need more information on product
environmental compliance?**

Email productcompliance@molex.com
 For a multiple part number RoHS Certificate of Compliance, [click here](#)

Please visit the [Contact Us](#) section for any non-product compliance questions.

Search Parts in this Series

[67582Series](#)

Use With

[67581 Crimp Terminals](#)

10 9 8 7 6 5 4 3 2 1

F

F

E

E

D

D

C

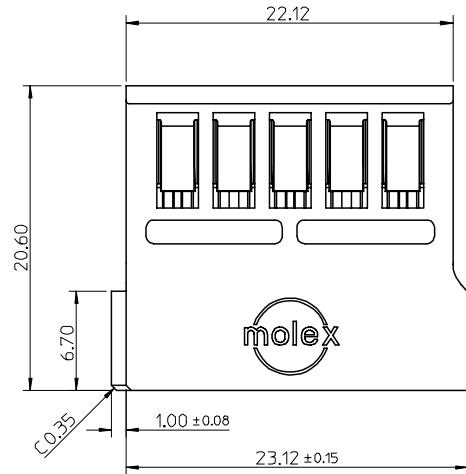
C

B

B

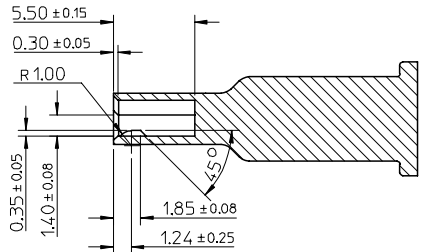
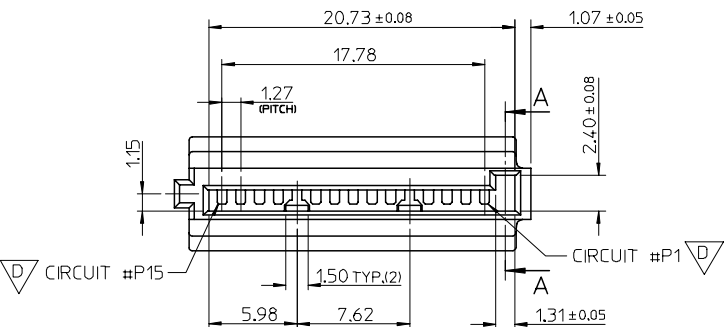
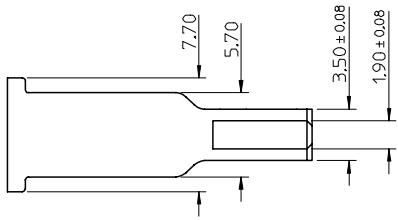
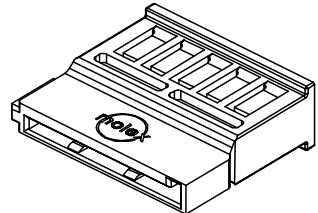
A

A



NOTES:

1. MATERIAL: THERMALPLASTIC, UL94V-0, COLOR: BLACK
2. TO BE USED WITH 67581, 5 SETS TERMINAL PER HOUSING
3. PRODUCT SPECIFICATION REFER TO PS-67490-002
4. PACKAGE SPECIFICATION REFER TO PK-67582-001



Section A-A

D CIRCUIT #P15

A CIRCUIT #P1

| | |
|--------------------|-------------|
| NEW RELEASE | DESCRIPTION |
| EC NO: SH2006-0233 | 2005/11/14 |
| DRWN: BCHENZ6 | 2005/11/21 |
| CHKD: | 2005/11/21 |
| APPR: GCHEN | 2005/11/23 |
| D | REV |

| | |
|-----------------|-----|
| QUALITY SYMBOLS | ▽=0 |
| | ◻=0 |

| | | |
|--|--------|-------|
| GENERAL TOLERANCES (UNLESS SPECIFIED) | mm | INCH |
| 4 PLACES | ± --- | ± --- |
| 3 PLACES | ± --- | ± --- |
| 2 PLACES | ± 0.25 | ± --- |
| 1 PLACE | ± 0.25 | ± --- |
| ANGULAR ± 3 ° | | |
| DRAFT WHERE APPLICABLE MUST REMAIN WITHIN DIMENSIONS | | |

| | | | | |
|-----------------|---|-------------------------------------|--------------|------------------------|
| DIMENSION STYLE | | SCALE | DESIGN UNITS | THIRD ANGLE PROJECTION |
| MM ONLY | | 3:1 | METRIC | |
| DRAWN BY | DATE | TITLE | | |
| RICHARD | 2002/01/30 | HSG FOR SATA POWER CABLE RECEPTACLE | | |
| CHECKED BY | DATE | | | |
| WILSON | 2002/01/30 | | | |
| APPROVED BY | DATE | | | |
| ERICK | 2002/01/30 | | | |
| MATERIAL NO. | DOCUMENT NO. | SHEET NO. | | |
| 67582-0000 | SD-67582-001 | 1 OF 1 | | |
| SIZE | THIS DRAWING CONTAINS INFORMATION THAT IS PROPRIETARY TO MOLEX INCORPORATED AND SHOULD NOT BE USED WITHOUT WRITTEN PERMISSION | | | |
| A3 | | | | |

| | | | |
|--------------|---|--------------|-------------------------------------|
| SCALE | | DESIGN UNITS | THIRD ANGLE PROJECTION |
| 3:1 | | METRIC | |
| DRAWN BY | | DATE | TITLE |
| RICHARD | | 2002/01/30 | HSG FOR SATA POWER CABLE RECEPTACLE |
| CHECKED BY | | DATE | |
| WILSON | | 2002/01/30 | |
| APPROVED BY | | DATE | |
| ERICK | | 2002/01/30 | |
| MATERIAL NO. | DOCUMENT NO. | SHEET NO. | |
| 67582-0000 | SD-67582-001 | 1 OF 1 | |
| SIZE | THIS DRAWING CONTAINS INFORMATION THAT IS PROPRIETARY TO MOLEX INCORPORATED AND SHOULD NOT BE USED WITHOUT WRITTEN PERMISSION | | |
| A3 | | | |

9 8 7 6 5 4 3 2 1