

**PLEASE CHECK WWW.MOLEX.COM FOR LATEST PART INFORMATION**

**Part Number:** **0780790101**  
**Status:** **Active**  
**Description:** 1.00mm (.039") Pitch DDR3 DIMM Socket, Vertical, Through Hole, with Beveled Metal Pins, Off-White Housing and Latches, 0.38µm (15µ") Gold (Au) Plating, 2.67mm(.105") Soldertail, 240 Circuits, Lead free

**Documents:**

[3D Model](#) [Product Specification PS-78079-001 \(PDF\)](#)  
[Drawing \(PDF\)](#) [RoHS Certificate of Compliance \(PDF\)](#)

**Agency Certification**

CSA LR19980  
 UL E29179

**General**

Product Family Memory Module Sockets  
 Series [78079](#)  
 Component Type Socket  
 JEDEC Outline MO-269  
 Product Name DDR3 DIMM

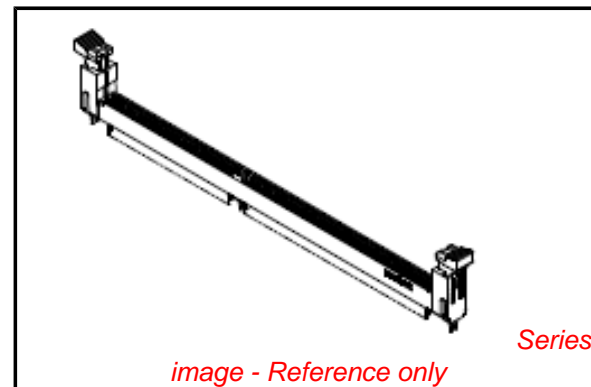
**Physical**

Circuits (Loaded) 240  
 Circuits (maximum) 240  
 Color - Resin Natural  
 Durability (mating cycles max) 25  
 Entry Angle Vertical  
 Flammability 94V-0  
 Keying to Mating Part Yes  
 Material - Metal Copper Alloy  
 Material - Plating Mating Gold  
 Material - Plating Termination Tin  
 Material - Resin High Temperature Thermoplastic  
 PC Tail Length (in) 0.105 In  
 PC Tail Length (mm) 2.67 mm  
 PCB Locator Yes  
 PCB Retention Yes  
 PCB Thickness Recommended (in) 0.062 In  
 PCB Thickness Recommended (mm) 1.57 mm  
 Packaging Type Tray  
 Pitch - Mating Interface (in) 0.039 In  
 Pitch - Mating Interface (mm) 1.00 mm  
 Pitch - Term. Interface (in) 0.039 In  
 Pitch - Term. Interface (mm) 1.00 mm  
 Plating min: Mating (µin) 15  
 Plating min: Mating (µm) 0.38  
 Plating min: Termination (µin) 100  
 Plating min: Termination (µm) 2.54  
 Temperature Range - Operating -55°C to +85°C  
 Termination Interface: Style Through Hole

**Electrical**

Current - Maximum per Contact 1A  
 Voltage - Maximum 30V AC (RMS)/DC  
 Voltage Key Center

**Solder Process Data**



**EU RoHS**

**ELV and RoHS  
 Compliant**  
**REACH SVHC  
 Contains SVHC: No  
 Halogen-Free  
 Status**

**China RoHS**



**Need more information on product  
 environmental compliance?**

Email [productcompliance@molex.com](mailto:productcompliance@molex.com)  
 For a multiple part number RoHS Certificate of  
 Compliance, [click here](#)

Please visit the [Contact Us](#) section for any  
 non-product compliance questions.

**Search Parts in this Series**

[78079Series](#)

**Mates With**

JEDEC standard 1.27mm modules

|  |                              |
|--|------------------------------|
| Duration at Max. Process Temperature (seconds) | 10                           |
| Lead-free Process Capability                   | SMC & Wave Capable (TH only) |
| Max. Cycles at Max. Process Temperature        | 2                            |
| Process Temperature max. C                     | 260                          |

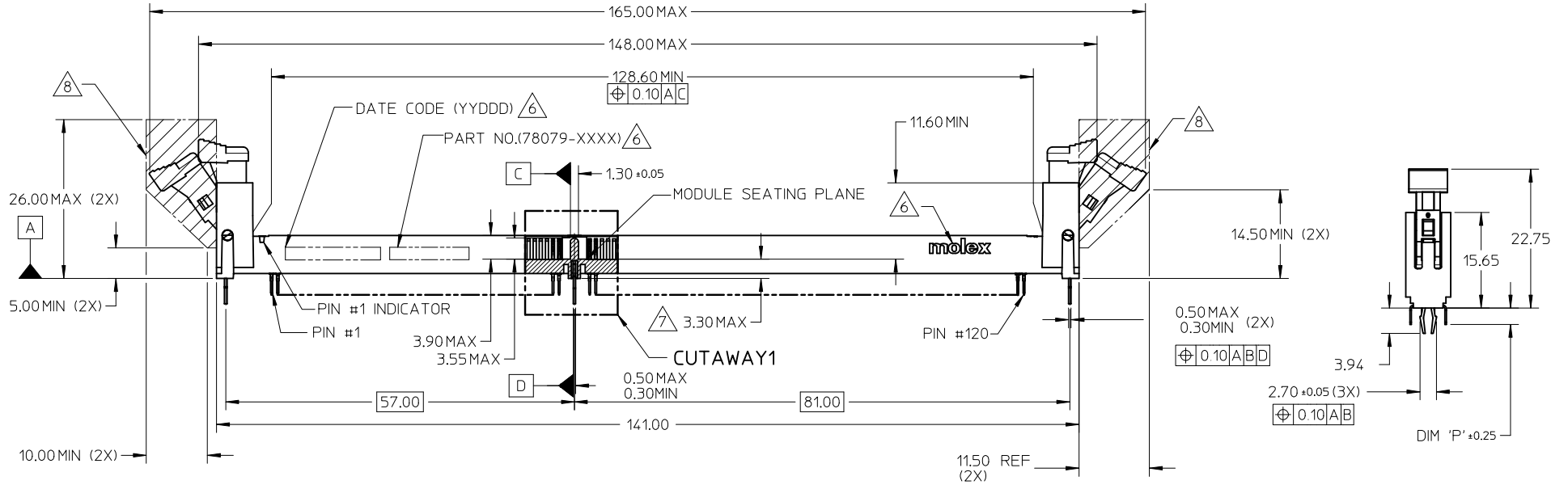
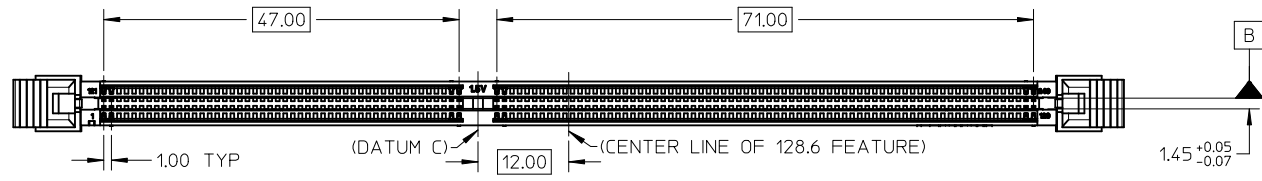
### **Material Info**

### **Reference - Drawing Numbers**

|                         |              |
|-------------------------|--------------|
| Packaging Specification | PK-78079-001 |
| Product Specification   | PS-78079-001 |
| Sales Drawing           | SD-78079-001 |

This document was generated on 05/10/2010

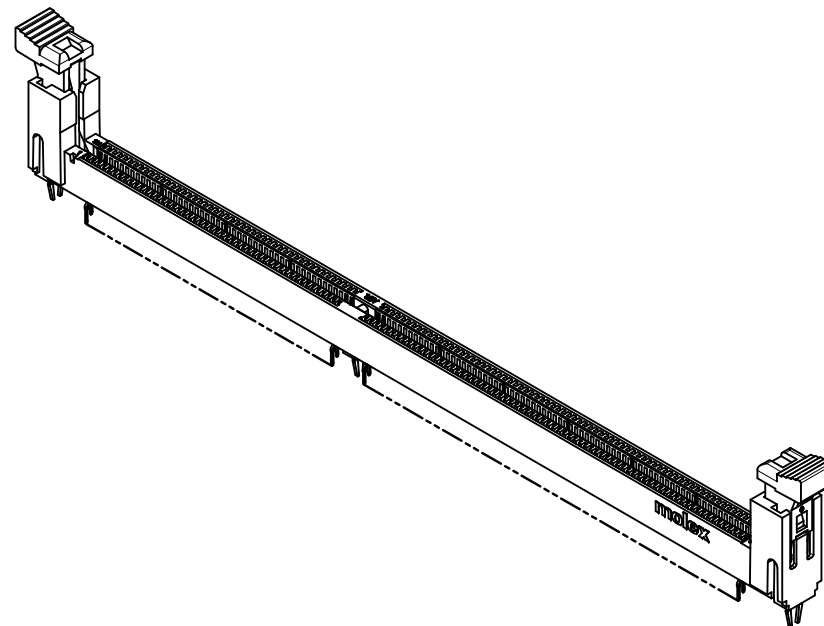
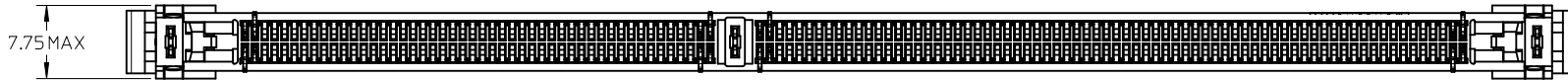
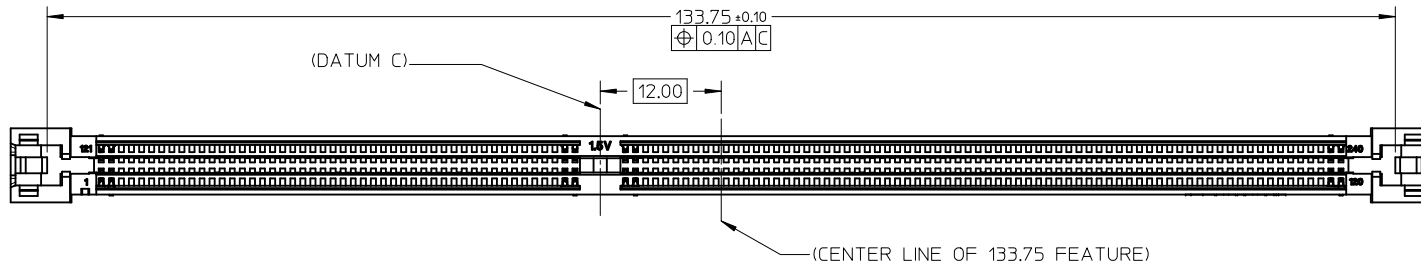
**PLEASE CHECK [WWW.MOLEX.COM](http://WWW.MOLEX.COM) FOR LATEST PART INFORMATION**



- NOTES :
- MATERIAL : HOUSING - HIGH TEMP. NYLON, GLASS FILLED, UL 94V-0  
COLOUR : SEE SHEET 6 AND 7  
LATCH - HIGH TEMP NYLON, GLASS FILLED, UL 94V-0  
COLOUR : SEE SHEET 6 AND 7  
TERMINAL : COPPER ALLOY.
  - TERMINAL PLATING OPTIONS: SEE TABLE ON SHEETS 6 & 7.
  - PRODUCT SPECIFICATION: SEE TABLE ON SHEETS 6 & 7.
  - PACKAGING INFORMATION: PRODUCT SHALL BE PACKED IN TRAY
  - CARD SLOT ACCEPTS 1.27±0.10MM MODULE THICKNESS (MEASURED FROM P.C. PADS).
  - MOLEX LOGO, DATE & PART NO. INDICATED ON HOUSING.
  - MODULE SEATING PLANE FROM TOP OF PCB.
  - KEEP OUT ZONE RESERVED FOR LATCH.

| <b>FORKLOCK UPDATED</b><br>EC NO: S2010-0888<br>DRWN: JAKEEWEW 2010/04/29<br>CHKD: CCTEH 2010/06/10<br>APPR: SHLENI 2010/06/13 | QUALITY SYMBOLS<br>$F_A=0$<br>$F_C=0$<br>$F_P=0$ | GENERAL TOLERANCES (UNLESS SPECIFIED)<br><table border="1"> <thead> <tr> <th></th> <th>mm</th> <th>INCH</th> </tr> </thead> <tbody> <tr> <td>4 PLACES</td> <td>± ---</td> <td>± ---</td> </tr> <tr> <td>3 PLACES</td> <td>± ---</td> <td>± ---</td> </tr> <tr> <td>2 PLACES</td> <td>± 0.2</td> <td>± ---</td> </tr> <tr> <td>1 PLACE</td> <td>± ---</td> <td>± ---</td> </tr> </tbody> </table> |                    | mm  | INCH                                | 4 PLACES                   | ± --- | ± --- | 3 PLACES | ± --- | ± --- | 2 PLACES | ± 0.2 | ± --- | 1 PLACE | ± --- | ± --- | DIMENSION STYLE<br><b>MM ONLY</b> | SCALE<br><b>NTS</b> | DESIGN UNITS<br><b>METRIC</b> | THIRD ANGLE PROJECTION |
|--|--|--|--------------------|---|-------------------------------------|----------------------------|-------|-------|----------|-------|-------|----------|-------|-------|---------|-------|-------|-----------------------------------|---------------------|-------------------------------|------------------------|
|  |  | mm   | INCH               |   |                                     |                            |       |       |          |       |       |          |       |       |         |       |       |                                   |                     |                               |                        |
|  | 4 PLACES   | ± ---  | ± ---              |   |                                     |                            |       |       |          |       |       |          |       |       |         |       |       |                                   |                     |                               |                        |
|  | 3 PLACES   | ± ---  | ± ---              |   |                                     |                            |       |       |          |       |       |          |       |       |         |       |       |                                   |                     |                               |                        |
| 2 PLACES   | ± 0.2  | ± ---  |                    |   |                                     |                            |       |       |          |       |       |          |       |       |         |       |       |                                   |                     |                               |                        |
| 1 PLACE  | ± ---  | ± ---  |                    |   |                                     |                            |       |       |          |       |       |          |       |       |         |       |       |                                   |                     |                               |                        |
|  |  | DRAWN BY<br>YTYANG01   | DATE<br>2006/08/11 | TITLE<br><b>DDR3 DIMM, 100MM PITCH<br/>240 CKTS, VERTICAL T/H</b> |                                     |                            |       |       |          |       |       |          |       |       |         |       |       |                                   |                     |                               |                        |
|  |  | CHECKED BY<br>SHLENI   | DATE<br>2006/09/07 | MOLEX INCORPORATED  |                                     |                            |       |       |          |       |       |          |       |       |         |       |       |                                   |                     |                               |                        |
|  |  | APPROVED BY<br>SHLENI  | DATE<br>2010/06/10 | MATERIAL NO.<br><b>SEE TABLE</b>                                  | DOCUMENT NO.<br><b>SD-78079-001</b> | SHEET NO.<br><b>1 OF 8</b> |       |       |          |       |       |          |       |       |         |       |       |                                   |                     |                               |                        |

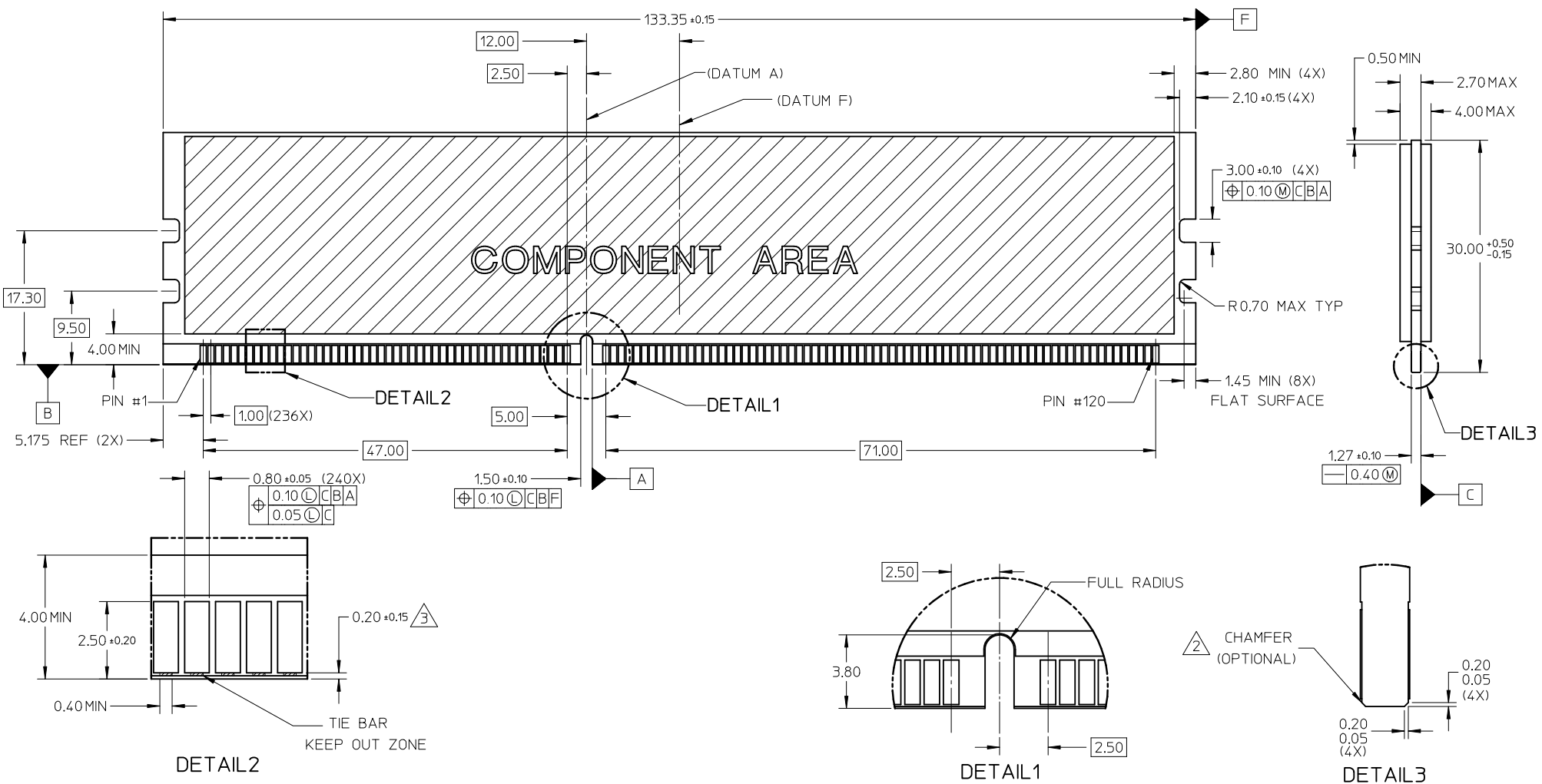
10 9 8 7 6 5 4 3 2 1



|   |                    |  |   |                      |   |   |              |                        |   |        |
|---|--------------------|--|---|----------------------|---|---|--------------|------------------------|---|--------|
| FORKLOCK UPDATED<br>EC NO: S2010-0888<br>DRWN: JAKEEWEW 2010/04/29<br>CHKD: CCTEH 2010/06/10<br>APPR: SHLENI 2010/06/13 | REV<br>DESCRIPTION | QUALITY SYMBOLS                                    | GENERAL TOLERANCES (UNLESS SPECIFIED)   |                      | DIMENSION STYLE<br>MM ONLY  |   | SCALE<br>NTS | DESIGN UNITS<br>METRIC | THIRD ANGLE PROJECTION                        |        |
|   |                    | $\nabla_A = 0$<br>$\nabla_C = 0$<br>$\nabla_P = 0$ | mm      INCH<br>4 PLACES ± --- ± ---<br>3 PLACES ± --- ± ---<br>2 PLACES ± 0.2 ± ---<br>1 PLACE ± --- ± --- | DRAWN BY<br>YTYANG01 | DATE<br>2006/08/11  | TITLE<br>DDR3 DIMM, 100MM PITCH<br>240 CKTS, VERTICAL T/H |              |                        |   |        |
|   |                    |  | ANGULAR ± 1 °   | CHECKED BY<br>SHLENI | DATE<br>2006/09/07  | APPROVED BY<br>SHLENI                                     |              | DATE<br>2010/06/10     | MATERIAL NO.      DOCUMENT NO.      SHEET NO. |        |
|   |                    |  | DRAFT WHERE APPLICABLE<br>MUST REMAIN<br>WITHIN DIMENSIONS  | SEE TABLE            |   | MOLEX INCORPORATED  |              | SD-78079-001           |   | 2 OF 8 |
| A4  |                    |  |   | SIZE<br>A3           | THIS DRAWING CONTAINS INFORMATION THAT IS PROPRIETARY TO MOLEX INCORPORATED AND SHOULD NOT BE USED WITHOUT WRITTEN PERMISSION |   |              |                        |   |        |

9 8 7 6 5 4 3 2 1

MODULE CARD  
 DDR3 DUAL IN-LINE MEMORY MODULE FAMILY 1.00MM CONTACT CENTERS  
 (JEDEC MO-269, ISSUE B, MAY 06)

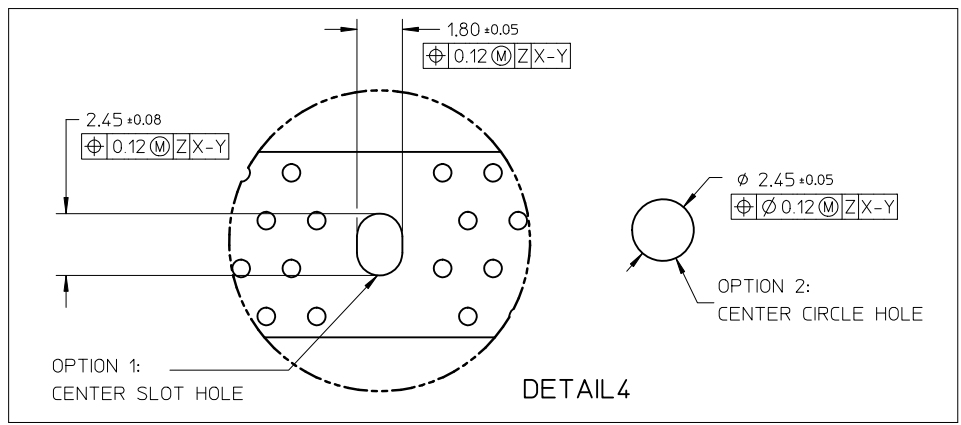
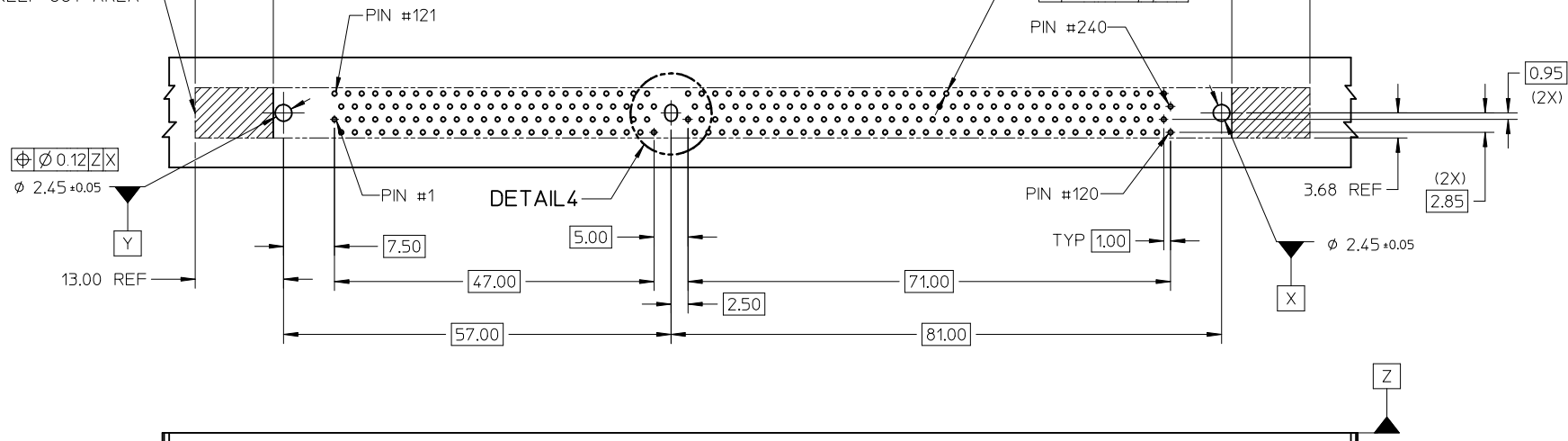


- NOTES:
- RECOMMENDED PLATING FOR CONTACT PADS:  
 PREFERRED: 0.76 MICROMETERS GOLD PLATING MIN OVER 2.00 MICROMETERS NICKEL  
 ALTERNATIVE: 0.05-0.75 MICROMETERS GOLD PLATING OVER 2.00 MICROMETERS NICKEL MUST USE AN ELECTRONIC CONTACT GRADE CORROSIVE BARRIER LUBRICANT
  - CHAMFER IS OPTIONAL AND IS NOT TO HIT THE GOLD PADS
  - LEADING EDGE OF GOLD PADS SPECIFIED BY KEEPOUT ZONE SHALL BE FREE OF BURRS AND EXTERNAL TIE BARS.

| FORKLOCK UPDATED<br>EC NO: S2010-0888<br>DRWN: JAKEEWEW 2010/04/29<br>CHYKD: CCTEH 2010/06/10<br>APPR: SHLENI 2010/06/13 | QUALITY SYMBOLS<br>$F_A=0$<br>$F_C=0$<br>$F_B=0$ | GENERAL TOLERANCES (UNLESS SPECIFIED)<br><table border="1"> <tr> <th></th> <th>mm</th> <th>INCH</th> </tr> <tr> <td>4 PLACES</td> <td>± ---</td> <td>± ---</td> </tr> <tr> <td>3 PLACES</td> <td>± ---</td> <td>± ---</td> </tr> <tr> <td>2 PLACES</td> <td>± 0.2</td> <td>± ---</td> </tr> <tr> <td>1 PLACE</td> <td>± ---</td> <td>± ---</td> </tr> </table> |       | mm | INCH | 4 PLACES | ± --- | ± --- | 3 PLACES | ± --- | ± --- | 2 PLACES | ± 0.2 | ± --- | 1 PLACE | ± --- | ± --- | DIMENSION STYLE<br><b>MM ONLY</b><br>DRAWN BY: YTYANG01<br>DATE: 2006/08/11<br>CHECKED BY: SHLENI<br>DATE: 2006/09/07<br>APPROVED BY: SHLENI<br>DATE: 2010/06/10 | SCALE: NTS<br>DESIGN UNITS: METRIC<br>THIRD ANGLE PROJECTION | TITLE: DDR3 DIMM, 1.00MM PITCH<br>240 CKTS, VERTICAL T/H<br>MOLEX INCORPORATED<br>DOCUMENT NO. SD-78079-001 | SHEET NO. 3 OF 8 |
|--|--|--|-------|----|------|----------|-------|-------|----------|-------|-------|----------|-------|-------|---------|-------|-------|--|--|---|------------------|
|  |  | mm   | INCH  |    |      |          |       |       |          |       |       |          |       |       |         |       |       |  |  |   |                  |
|  | 4 PLACES   | ± ---  | ± --- |    |      |          |       |       |          |       |       |          |       |       |         |       |       |  |  |   |                  |
|  | 3 PLACES   | ± ---  | ± --- |    |      |          |       |       |          |       |       |          |       |       |         |       |       |  |  |   |                  |
| 2 PLACES   | ± 0.2  | ± ---  |       |    |      |          |       |       |          |       |       |          |       |       |         |       |       |  |  |   |                  |
| 1 PLACE  | ± ---  | ± ---  |       |    |      |          |       |       |          |       |       |          |       |       |         |       |       |  |  |   |                  |
| DRAFT WHERE APPLICABLE MUST REMAIN WITHIN DIMENSIONS   | SEE TABLE  | THIS DRAWING CONTAINS INFORMATION THAT IS PROPRIETARY TO MOLEX INCORPORATED AND SHOULD NOT BE USED WITHOUT WRITTEN PERMISSION  |       |    |      |          |       |       |          |       |       |          |       |       |         |       |       |  |  |   |                  |
| A4   | REV  |  |       |    |      |          |       |       |          |       |       |          |       |       |         |       |       |  |  |   |                  |
|  |  |  |       |    |      |          |       |       |          |       |       |          |       |       |         |       |       |  |  |   |                  |

10 9 8 7 6 5 4 3 2 1

KEEP OUT AREA

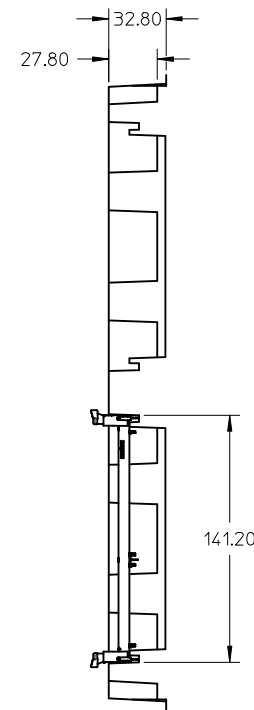
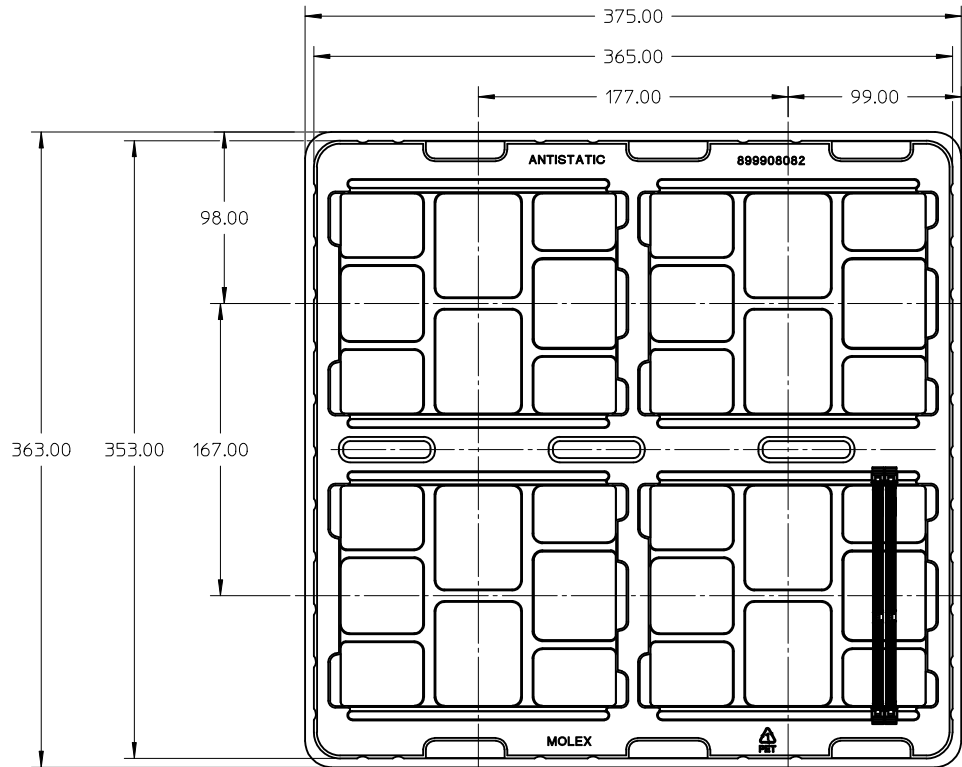


NOTE:  
 1. KEEP OUT AREA IS THE AREA WHERE THE CONNECTOR (INCLUDING LATCH) IS MOUNTED ON THE PCB.

|   |  |   |  |                              |                    |   |                        |                        |  |
|---|--|---|--|------------------------------|--------------------|---|------------------------|------------------------|--|
| FORKLOCK UPDATED<br>EC NO: S2010-0888<br>DRWN: JAKEEWEW 2010/04/29<br>CHKD: CCTEH 2010/06/10<br>APPR: SHLENI 2010/06/13 | QUALITY SYMBOLS<br>$F_A=0$<br>$F_C=0$<br>$F_P=0$     | GENERAL TOLERANCES (UNLESS SPECIFIED)   |  | DIMENSION STYLE<br>MM ONLY   |                    | SCALE<br>NTS  | DESIGN UNITS<br>METRIC | THIRD ANGLE PROJECTION |  |
|   |  | 4 PLACES ± --- ± ---<br>3 PLACES ± --- ± ---<br>2 PLACES ± 0.2 ± ---<br>1 PLACE ± --- ± --- | mm INCH<br>± --- ± ---<br>± --- ± ---<br>± --- ± --- | DRAWN BY<br>YTYANG01         | DATE<br>2006/08/11 | TITLE<br>DDR3 DIMM, 100MM PITCH<br>240 CKTS, VERTICAL T/H |                        |                        |  |
|   |  | ANGULAR ± 1 °   |  | CHECKED BY<br>SHLENI         | DATE<br>2006/09/07 | MOLEX INCORPORATED  |                        |                        |  |
|   | DRAFT WHERE APPLICABLE MUST REMAIN WITHIN DIMENSIONS |   | SEE TABLE  | MATERIAL NO.<br>SD-78079-001 | DOCUMENT NO.       | SHEET NO.<br>4 OF 8                                       |                        |                        |  |

9 8 7 6 5 4 3 2 1

10 9 8 7 6 5 4 3 2 1



NOTES:  
1. QTY OF CAVITY: 20 X 4 = 80 PCS

|   |                 |  |       |                            |            |   |                         |                        |  |
|---|-----------------|--|-------|----------------------------|------------|---|-------------------------|------------------------|--|
| FORKLOCK UPDATED<br>EC NO: S2010-0888<br>DRWN: JAKEEWEW 2010/04/29<br>CHKD: CCTEH 2010/06/10<br>APPR: SHLENI 2010/06/13 | QUALITY SYMBOLS | GENERAL TOLERANCES (UNLESS SPECIFIED)                |       | DIMENSION STYLE<br>MM ONLY |            | SCALE<br>NTS  | DESIGN UNITS<br>METRIC  | THIRD ANGLE PROJECTION |  |
|   | $F_A=0$         | 4 PLACES   | ± --- | ± ---                      | DRAWN BY   | DATE  | TITLE                   |                        |  |
|   | $F_C=0$         | 3 PLACES   | ± --- | ± ---                      | CHECKED BY | DATE  | DDR3 DIMM, 1.00MM PITCH |                        |  |
|   | $F_P=0$         | 2 PLACES   | ± 0.2 | ± ---                      | SHLENI     | 2006/09/07  | 240 CKTS, VERTICAL T/H  |                        |  |
|   | 1 PLACE         | ± ---  | ± --- | APPROVED BY                | DATE       | MOLEX INCORPORATED  |                         |                        |  |
|   |                 | ANGULAR ± 1 °  |       | SHLENI                     | 2010/06/10 | DOCUMENT NO.  |                         |                        |  |
|   |                 | DRAFT WHERE APPLICABLE MUST REMAIN WITHIN DIMENSIONS |       | MATERIAL NO.               |            | SHEET NO.   |                         |                        |  |
|   |                 |  |       | SEE TABLE                  |            | SD-78079-001  |                         |                        |  |
|   |                 |  |       | SIZE<br>A3                 |            | THIS DRAWING CONTAINS INFORMATION THAT IS PROPRIETARY TO MOLEX INCORPORATED AND SHOULD NOT BE USED WITHOUT WRITTEN PERMISSION |                         |                        |  |

9 8 7 6 5 4 3 2 1

| ASSEMBLY PART NO. | VOLTAGE KEY   | HOUSING COLOR | LATCH COLOR        | DIM 'P' | RECOMMENDED PCB THICKNESS  | PLATING OPTION   | PRODUCT SPECIFICATION |  |              |
|-------------------|---------------|---------------|--------------------|---------|--|--|-----------------------|--|--------------|
| 78079-0001        | CENTRE (1.5V) | BLACK         | BLACK              | 2.67    | 1.57   | 0.38 MICROMETER/ 15 MICROINCH MIN. GOLD ON CONTACT<br>2.54 MICROMETER/ 100 MICROINCH MIN. PURE TIN ON SOLDER TAILS<br>1.27 MICROMETER/ 50 MICROINCH MIN. NICKEL UNDERPLATE | PS-78079-001          |  |              |
| 78079-0003        |               |               |                    | 3.00    | 2.18   |  |                       |  |              |
| 78079-0002        |               |               |                    | 3.18    | 2.36   |  |                       |  |              |
| 78079-0011        |               |               |                    | 2.67    | 1.57   | 0.76 MICROMETER/ 30 MICROINCH MIN. GOLD ON CONTACT<br>2.54 MICROMETER/ 100 MICROINCH MIN. PURE TIN ON SOLDER TAILS<br>1.27 MICROMETER/ 50 MICROINCH MIN. NICKEL UNDERPLATE |                       | PS-78079-002   |              |
| 78079-0013        |               |               |                    | 3.00    | 2.18   |  |                       |  |              |
| 78079-0012        |               |               |                    | 3.18    | 2.36   |  |                       |  |              |
| 78079-0021        |               |               |                    | 2.67    | 1.57   | 0.076 MICROMETER/ 3 MICROINCH MIN. GOLD ON CONTACT<br>2.54 MICROMETER/ 100 MICROINCH MIN. PURE TIN ON SOLDER TAILS<br>1.27 MICROMETER/ 50 MICROINCH MIN. NICKEL UNDERPLATE |                       | PS-78079-003   |              |
| 78079-0023        |               |               |                    | 3.00    | 2.18   |  |                       |  |              |
| 78079-0022        |               |               |                    | 3.18    | 2.36   |  |                       |  |              |
| 78079-0051        |               |               | NATURAL (OFFWHITE) |         | 0.38 MICROMETER/ 15 MICROINCH MIN. GOLD ON CONTACT<br>2.54 MICROMETER/ 100 MICROINCH MIN. PURE TIN ON SOLDER TAILS<br>1.27 MICROMETER/ 50 MICROINCH MIN. NICKEL UNDERPLATE | PS-78079-001   |                       |  |              |
| 78079-0053        |               |               |                    |         |  |  | 2.67                  | 1.57   |              |
| 78079-0052        |               |               |                    |         |  |  | 3.00                  | 2.18   |              |
| 78079-0061        |               |               |                    |         | 3.18   |  | 2.36                  | 0.76 MICROMETER/ 30 MICROINCH MIN. GOLD ON CONTACT<br>2.54 MICROMETER/ 100 MICROINCH MIN. PURE TIN ON SOLDER TAILS<br>1.27 MICROMETER/ 50 MICROINCH MIN. NICKEL UNDERPLATE | PS-78079-002 |
| 78079-0063        |               |               |                    |         | 2.67   |  | 1.57                  |  |              |
| 78079-0062        |               |               |                    |         | 3.00   |  | 2.18                  |  |              |
| 78079-0071        |               |               |                    |         | 3.18   |  | 2.36                  | 0.076 MICROMETER/ 3 MICROINCH MIN. GOLD ON CONTACT<br>2.54 MICROMETER/ 100 MICROINCH MIN. PURE TIN ON SOLDER TAILS<br>1.27 MICROMETER/ 50 MICROINCH MIN. NICKEL UNDERPLATE | PS-78079-003 |
| 78079-0073        |               |               |                    |         | 2.67   |  | 1.57                  |  |              |
| 78079-0072        |               |               |                    |         | 3.00   |  | 2.18                  |  |              |

|   |                               |   |   |  |                        |                        |  |
|---|-------------------------------|---|---|--|------------------------|------------------------|--|
| FORKLOCK UPDATED<br>EC NO: S2010-0888<br>DRWN: JAKEEWEW 2010/04/29<br>CHKD: CCTEH 2010/06/10<br>APPR: SHLENI 2010/06/13 | QUALITY SYMBOLS               | GENERAL TOLERANCES (UNLESS SPECIFIED)   | DIMENSION STYLE<br><b>MM ONLY</b>   | SCALE<br>NTS   | DESIGN UNITS<br>METRIC | THIRD ANGLE PROJECTION |  |
|   | $F_A=0$<br>$F_C=0$<br>$F_P=0$ | mm    INCH<br>4 PLACES ± --- ± ---<br>3 PLACES ± --- ± ---<br>2 PLACES ± 0.2 ± ---<br>1 PLACE ± --- ± ---                     | DRAWN BY: YTYANG01    DATE: 2006/08/11<br>CHECKED BY: SHLENI    DATE: 2006/09/07<br>APPROVED BY: SHLENI    DATE: 2010/06/10 | TITLE: DDR3 DIMM, 1.00MM PITCH<br>240 CKTS, VERTICAL T/H |                        |                        |  |
|   | ANGULAR ± 1 °                 | DRAFT WHERE APPLICABLE<br>MUST REMAIN<br>WITHIN DIMENSIONS  | MATERIAL NO.    DOCUMENT NO.  | MOLEX INCORPORATED<br>SD-78079-001                       |                        |                        |  |
|   | SIZE: A3                      | THIS DRAWING CONTAINS INFORMATION THAT IS PROPRIETARY TO MOLEX INCORPORATED AND SHOULD NOT BE USED WITHOUT WRITTEN PERMISSION |   |  |                        |                        |  |



| ASSEMBLY PART NO. | VOLTAGE KEY   | HOUSING COLOR | LATCH COLOR        | DIM 'P'  | RECOMMENDED PCB THICKNESS | PLATING OPTION   | PRODUCT SPECIFICATION  |              |
|-------------------|---------------|---------------|--------------------|--|---------------------------|--|--|--------------|
| 78079-0201        | CENTRE (1.5V) | BLUE          | NATURAL (OFFWHITE) | 2.67   | 1.57                      | 0.38 MICROMETER/ 15 MICROINCH MIN. GOLD ON CONTACT<br>2.54 MICROMETER/ 100 MICROINCH MIN. PURE TIN ON SOLDER TAILS<br>1.27 MICROMETER/ 50 MICROINCH MIN. NICKEL UNDERPLATE | PS-78079-001   |              |
| 78079-0203        |               |               |                    | 3.00   | 2.18                      |  |  |              |
| 78079-0202        |               |               |                    | 3.18   | 2.36                      |  |  |              |
| 78079-0211        |               |               |                    | 2.67   | 1.57                      | 0.76 MICROMETER/ 30 MICROINCH MIN. GOLD ON CONTACT<br>2.54 MICROMETER/ 100 MICROINCH MIN. PURE TIN ON SOLDER TAILS<br>1.27 MICROMETER/ 50 MICROINCH MIN. NICKEL UNDERPLATE |  | PS-78079-002 |
| 78079-0213        |               |               |                    | 3.00   | 2.18                      |  |  |              |
| 78079-0212        |               |               |                    | 3.18   | 2.36                      |  |  |              |
| 78079-0221        |               | 2.67          | 1.57               | 0.076 MICROMETER/ 3 MICROINCH MIN. GOLD ON CONTACT<br>2.54 MICROMETER/ 100 MICROINCH MIN. PURE TIN ON SOLDER TAILS<br>1.27 MICROMETER/ 50 MICROINCH MIN. NICKEL UNDERPLATE | PS-78079-003              |  |  |              |
| 78079-0223        |               | 3.00          | 2.18               |  |                           |  |  |              |
| 78079-0222        |               | 3.18          | 2.36               |  |                           |  |  |              |
| 78079-0351        |               | GREEN         | NATURAL (OFFWHITE) | 2.67   |                           | 1.57   | 0.38 MICROMETER/ 15 MICROINCH MIN. GOLD ON CONTACT<br>2.54 MICROMETER/ 100 MICROINCH MIN. PURE TIN ON SOLDER TAILS<br>1.27 MICROMETER/ 50 MICROINCH MIN. NICKEL UNDERPLATE | PS-78079-001 |
| 78079-0353        |               |               |                    | 3.00   |                           | 2.18   |  |              |
| 78079-0352        |               |               |                    | 3.18   |                           | 2.36   |  |              |
| 78079-0361        |               |               |                    | 2.67   | 1.57                      | 0.76 MICROMETER/ 30 MICROINCH MIN. GOLD ON CONTACT<br>2.54 MICROMETER/ 100 MICROINCH MIN. PURE TIN ON SOLDER TAILS<br>1.27 MICROMETER/ 50 MICROINCH MIN. NICKEL UNDERPLATE | PS-78079-002   |              |
| 78079-0363        |               |               |                    | 3.00   | 2.18                      |  |  |              |
| 78079-0362        |               |               |                    | 3.18   | 2.36                      |  |  |              |
| 78079-0371        |               |               |                    | 2.67   | 1.57                      | 0.076 MICROMETER/ 3 MICROINCH MIN. GOLD ON CONTACT<br>2.54 MICROMETER/ 100 MICROINCH MIN. PURE TIN ON SOLDER TAILS<br>1.27 MICROMETER/ 50 MICROINCH MIN. NICKEL UNDERPLATE |  | PS-78079-003 |
| 78079-0373        |               |               |                    | 3.00   | 2.18                      |  |  |              |
| 78079-0372        |               | 3.18          | 2.36               |  |                           |  |  |              |

|  |                               |  |   |   |                        |                        |  |
|--|-------------------------------|--|---|---|------------------------|------------------------|--|
| FORKLOCK UPDATED<br>EC NO: S2010-0888<br>DRWN: JAKEEW 2010/04/29<br>CHKD: CTEH 2010/06/10<br>APPR: SHLENI 2010/06/13 | QUALITY SYMBOLS               | GENERAL TOLERANCES (UNLESS SPECIFIED)  | DIMENSION STYLE<br><b>MM ONLY</b>   | SCALE<br>NTS  | DESIGN UNITS<br>METRIC | THIRD ANGLE PROJECTION |  |
|  | $F_A=0$<br>$F_C=0$<br>$F_P=0$ | mm      INCH<br>4 PLACES ± --- ± ---<br>3 PLACES ± --- ± ---<br>2 PLACES ± 0.2 ± ---<br>1 PLACE ± --- ± ---<br>ANGULAR ± 1 ° | DRAWN BY: YTYANG01      DATE: 2006/08/11<br>CHECKED BY: SHLENI      DATE: 2006/09/07<br>APPROVED BY: SHLENI      DATE: 2010/06/10 | TITLE: DDR3 DIMM, 1.00MM PITCH<br>240 CKTS, VERTICAL T/H  |                        |                        |  |
|  | A4                            | DRAFT WHERE APPLICABLE MUST REMAIN WITHIN DIMENSIONS   | SEE TABLE   | MOLEX INCORPORATED<br>MATERIAL NO.      DOCUMENT NO.  |                        | SHEET NO.<br>7 OF 8    |  |
|  |                               |  |   | THIS DRAWING CONTAINS INFORMATION THAT IS PROPRIETARY TO MOLEX INCORPORATED AND SHOULD NOT BE USED WITHOUT WRITTEN PERMISSION |                        |                        |  |

F

E

D

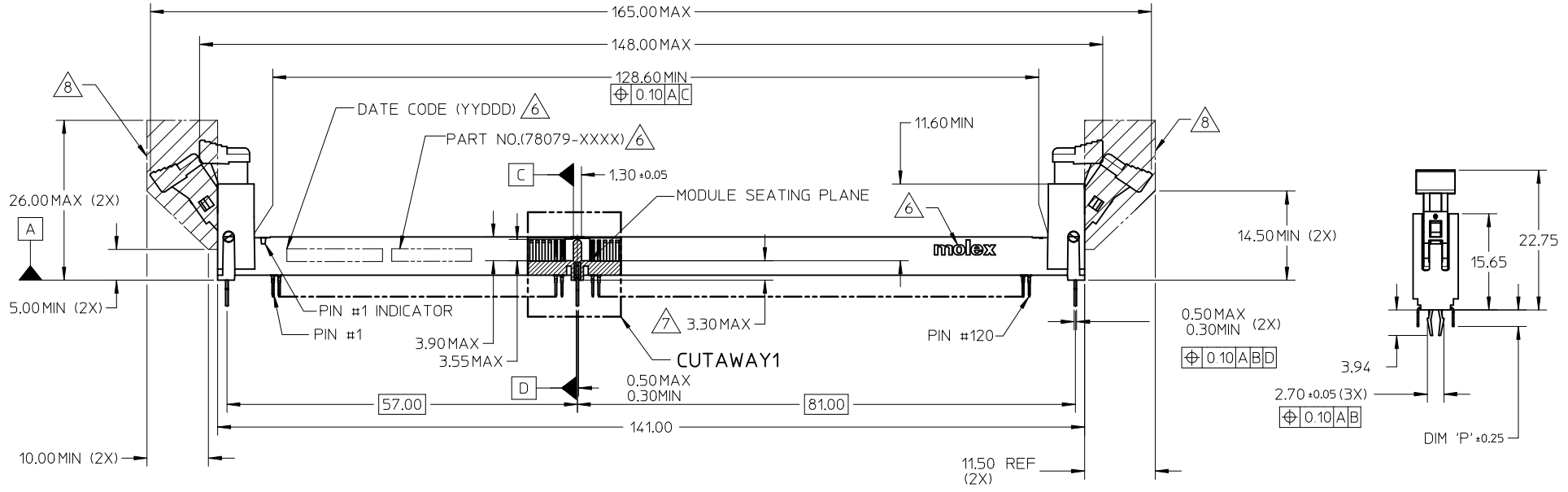
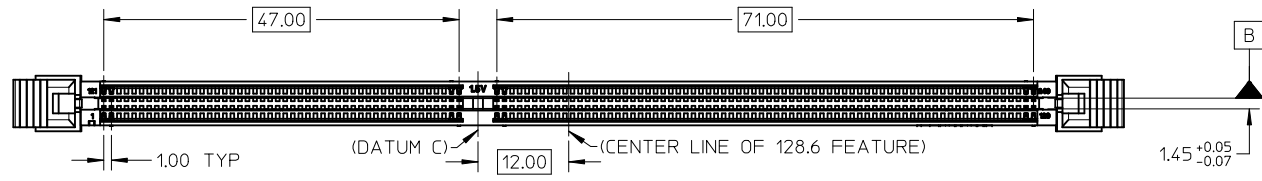
C

B

A

| ASSEMBLY PART NO. | VOLTAGE KEY   | HOUSING COLOR      | LATCH COLOR        | DIM 'P'       | RECOMMENDED PCB THICKNESS | PLATING OPTION  | PRODUCT SPECIFICATION |      |   |              |
|-------------------|---------------|--------------------|--------------------|---------------|---------------------------|---|-----------------------|------|---|--------------|
| 78079-0101        | CENTRE (1.5V) | NATURAL (OFFWHITE) | NATURAL (OFFWHITE) | 2.67          | 1.57                      | 0.38 MICROMETER/ 15 MICROINCH MIN. GOLD ON CONTACT<br>2.54 MICROMETER/ 100 MICROINCH MIN. PURE TIN ON SOLDERTAILS<br>1.27 MICROMETER/ 50 MICROINCH MIN. NICKEL UNDERPLATE | PS-78079-001          |      |   |              |
| 78079-0103        |               |                    |                    | 3.00          | 2.18                      |   |                       |      |   |              |
| 78079-0102        |               |                    |                    | 3.18          | 2.36                      |   |                       |      |   |              |
| 78079-0111        |               |                    |                    | CENTRE (1.5V) | NATURAL (OFFWHITE)        | NATURAL (OFFWHITE)  | 2.67                  | 1.57 | 0.76 MICROMETER/ 30 MICROINCH MIN. GOLD ON CONTACT<br>2.54 MICROMETER/ 100 MICROINCH MIN. PURE TIN ON SOLDERTAILS<br>1.27 MICROMETER/ 50 MICROINCH MIN. NICKEL UNDERPLATE | PS-78079-002 |
| 78079-0113        |               |                    |                    |               |                           |   | 3.00                  | 2.18 |   |              |
| 78079-0112        |               |                    |                    |               |                           |   | 3.18                  | 2.36 |   |              |
| 78079-0121        |               |                    |                    |               |                           |   | 2.67                  | 1.57 | 0.076 MICROMETER/ 3 MICROINCH MIN. GOLD ON CONTACT<br>2.54 MICROMETER/ 100 MICROINCH MIN. PURE TIN ON SOLDERTAILS<br>1.27 MICROMETER/ 50 MICROINCH MIN. NICKEL UNDERPLATE | PS-78079-003 |
| 78079-0123        |               |                    |                    |               |                           |   | 3.00                  | 2.18 |   |              |
| 78079-0122        |               |                    |                    | 3.18          | 2.36                      |   |                       |      |   |              |

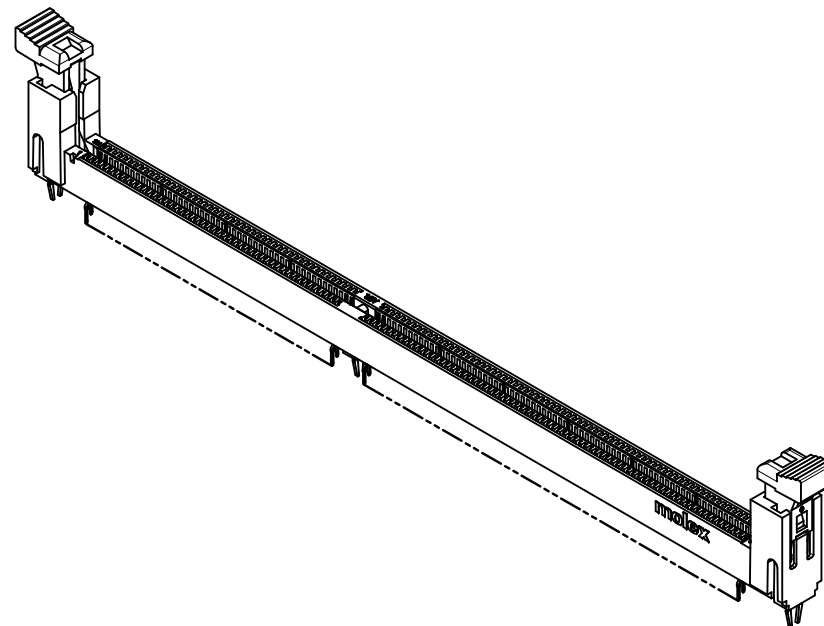
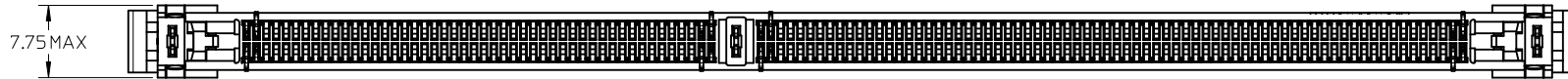
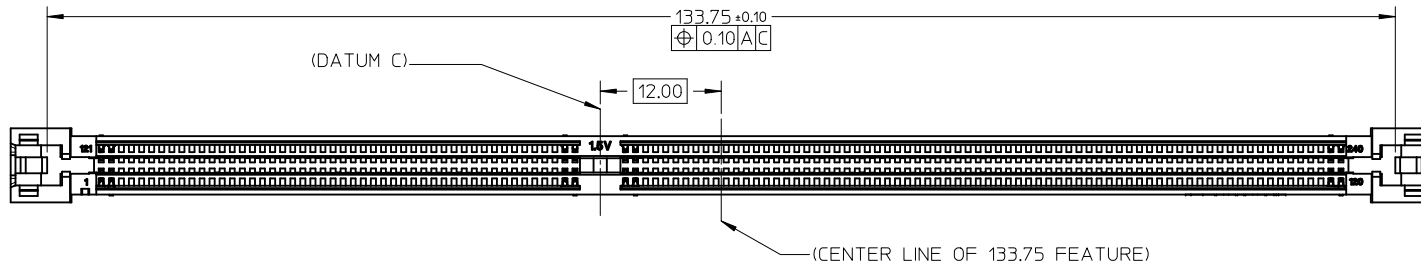
|  |  |  |   |  |   |                        |  |
|--|--|--|---|--|---|------------------------|--|
| FORKLOCK UPDATED<br>EC NO: S2010-0888<br>DRWN: JAKEEWEW 2010/04/29<br>CHKD: CTEH 2010/06/10<br>APPR: SHLENI 2010/06/13 | QUALITY SYMBOLS                                    | GENERAL TOLERANCES (UNLESS SPECIFIED)  | DIMENSION STYLE<br><b>MM ONLY</b>   | SCALE<br><b>NTS</b>  | DESIGN UNITS<br><b>METRIC</b>           | THIRD ANGLE PROJECTION |  |
|  | $\nabla_A = 0$<br>$\nabla_C = 0$<br>$\nabla_P = 0$ | mm      INCH<br>4 PLACES ± --- ± ---<br>3 PLACES ± --- ± ---<br>2 PLACES ± 0.2 ± ---<br>1 PLACE ± --- ± ---<br>ANGULAR ± 1 ° | DRAWN BY: YTYANG01      DATE: 2006/08/11<br>CHECKED BY: SHLENI      DATE: 2006/09/07<br>APPROVED BY: SHLENI      DATE: 2010/06/10 | TITLE: <b>DDR3 DIMM, 1.00MM PITCH<br/>240 CKTS, VERTICAL T/H</b>   |   |                        |  |
|  |  | DRAFT WHERE APPLICABLE<br>MUST REMAIN<br>WITHIN DIMENSIONS   | SEE TABLE   | MOLEX INCORPORATED<br>MATERIAL NO.      DOCUMENT NO.   |   |                        |  |
|  | A4   |  |   | SIZE: <b>A3</b><br>THIS DRAWING CONTAINS INFORMATION THAT IS PROPRIETARY TO MOLEX INCORPORATED AND SHOULD NOT BE USED WITHOUT WRITTEN PERMISSION | SHEET NO. <b>8 OF 8</b><br>SD-78079-001 |                        |  |



- NOTES :
- MATERIAL : HOUSING - HIGH TEMP. NYLON, GLASS FILLED, UL 94V-0  
COLOUR : SEE SHEET 6 AND 7  
LATCH - HIGH TEMP NYLON, GLASS FILLED, UL 94V-0  
COLOUR : SEE SHEET 6 AND 7  
TERMINAL : COPPER ALLOY.
  - TERMINAL PLATING OPTIONS: SEE TABLE ON SHEETS 6 & 7.
  - PRODUCT SPECIFICATION: SEE TABLE ON SHEETS 6 & 7.
  - PACKAGING INFORMATION: PRODUCT SHALL BE PACKED IN TRAY
  - CARD SLOT ACCEPTS 1.27±0.10MM MODULE THICKNESS (MEASURED FROM P.C. PADS).
  - MOLEX LOGO, DATE & PART NO. INDICATED ON HOUSING.
  - MODULE SEATING PLANE FROM TOP OF PCB.
  - KEEP OUT ZONE RESERVED FOR LATCH.

| <b>FORKLOCK UPDATED</b><br>EC NO: S2010-0888<br>DRWN: JAKEEWEW 2010/04/29<br>CHKD: CCTEH 2010/06/10<br>APPR: SHLENI 2010/06/13 | QUALITY SYMBOLS<br>$F_A=0$<br>$F_C=0$<br>$F_P=0$ | GENERAL TOLERANCES (UNLESS SPECIFIED)<br><table border="1"> <thead> <tr> <th></th> <th>mm</th> <th>INCH</th> </tr> </thead> <tbody> <tr> <td>4 PLACES</td> <td>± ---</td> <td>± ---</td> </tr> <tr> <td>3 PLACES</td> <td>± ---</td> <td>± ---</td> </tr> <tr> <td>2 PLACES</td> <td>± 0.2</td> <td>± ---</td> </tr> <tr> <td>1 PLACE</td> <td>± ---</td> <td>± ---</td> </tr> </tbody> </table> |                    | mm  | INCH                                | 4 PLACES                   | ± --- | ± --- | 3 PLACES | ± --- | ± --- | 2 PLACES | ± 0.2 | ± --- | 1 PLACE | ± --- | ± --- | DIMENSION STYLE<br><b>MM ONLY</b> | SCALE<br><b>NTS</b> | DESIGN UNITS<br><b>METRIC</b> | THIRD ANGLE PROJECTION |
|--|--|--|--------------------|---|-------------------------------------|----------------------------|-------|-------|----------|-------|-------|----------|-------|-------|---------|-------|-------|-----------------------------------|---------------------|-------------------------------|------------------------|
|  |  | mm   | INCH               |   |                                     |                            |       |       |          |       |       |          |       |       |         |       |       |                                   |                     |                               |                        |
|  | 4 PLACES   | ± ---  | ± ---              |   |                                     |                            |       |       |          |       |       |          |       |       |         |       |       |                                   |                     |                               |                        |
|  | 3 PLACES   | ± ---  | ± ---              |   |                                     |                            |       |       |          |       |       |          |       |       |         |       |       |                                   |                     |                               |                        |
| 2 PLACES   | ± 0.2  | ± ---  |                    |   |                                     |                            |       |       |          |       |       |          |       |       |         |       |       |                                   |                     |                               |                        |
| 1 PLACE  | ± ---  | ± ---  |                    |   |                                     |                            |       |       |          |       |       |          |       |       |         |       |       |                                   |                     |                               |                        |
|  |  | DRAWN BY<br>YTYANG01   | DATE<br>2006/08/11 | TITLE<br><b>DDR3 DIMM, 100MM PITCH<br/>240 CKTS, VERTICAL T/H</b> |                                     |                            |       |       |          |       |       |          |       |       |         |       |       |                                   |                     |                               |                        |
|  |  | CHECKED BY<br>SHLENI   | DATE<br>2006/09/07 | MOLEX INCORPORATED  |                                     |                            |       |       |          |       |       |          |       |       |         |       |       |                                   |                     |                               |                        |
|  |  | APPROVED BY<br>SHLENI  | DATE<br>2010/06/10 | MATERIAL NO.<br><b>SEE TABLE</b>                                  | DOCUMENT NO.<br><b>SD-78079-001</b> | SHEET NO.<br><b>1 OF 8</b> |       |       |          |       |       |          |       |       |         |       |       |                                   |                     |                               |                        |

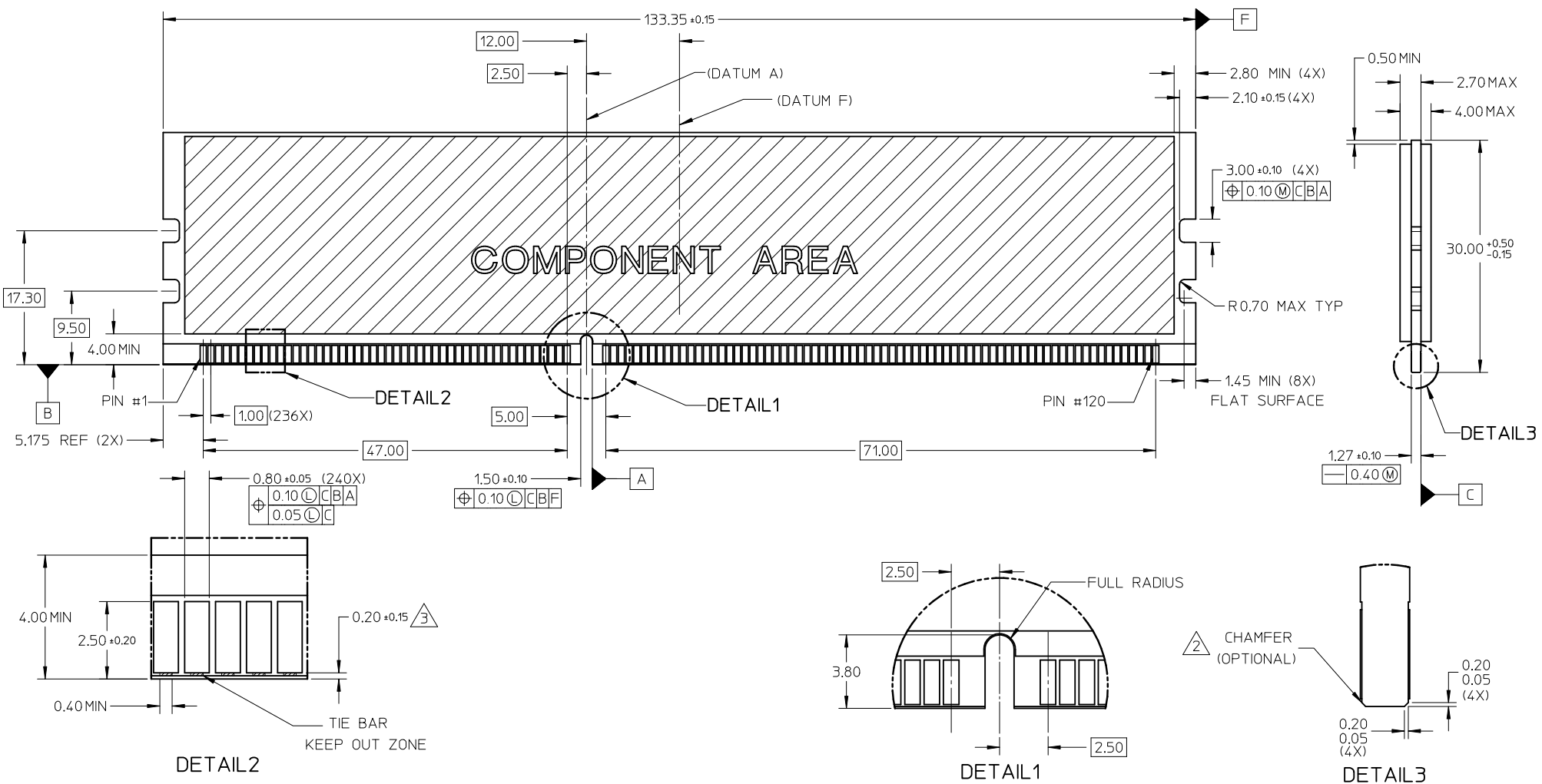
10 9 8 7 6 5 4 3 2 1



|   |                    |  |   |  |                            |  |              |                                    |                        |
|---|--------------------|--|---|--|----------------------------|--|--------------|------------------------------------|------------------------|
| FORKLOCK UPDATED<br>EC NO: S2010-0888<br>DRWN: JAKEEWEW 2010/04/29<br>CHKD: CCTEH 2010/06/10<br>APPR: SHLENI 2010/06/13 | REV<br>DESCRIPTION | QUALITY SYMBOLS                                    | GENERAL TOLERANCES (UNLESS SPECIFIED)   |  | DIMENSION STYLE<br>MM ONLY |  | SCALE<br>NTS | DESIGN UNITS<br>METRIC             | THIRD ANGLE PROJECTION |
|   |                    | $\nabla_A = 0$<br>$\nabla_C = 0$<br>$\nabla_P = 0$ | mm    INCH<br>4 PLACES ± --- ± ---<br>3 PLACES ± --- ± ---<br>2 PLACES ± 0.2 ± ---<br>1 PLACE ± --- ± --- | DRAWN BY<br>YTYANG01   | DATE<br>2006/08/11         | TITLE  |              | MOLEX INCORPORATED<br>SD-78079-001 | SHEET NO.<br>2 OF 8    |
|   |                    |  | ANGULAR ± 1 °   | CHECKED BY<br>SHLENI   | DATE<br>2006/09/07         | DDR3 DIMM, 100MM PITCH<br>240 CKTS, VERTICAL T/H |              |                                    |                        |
|   |                    |  | DRAFT WHERE APPLICABLE<br>MUST REMAIN<br>WITHIN DIMENSIONS  | APPROVED BY<br>SHLENI  | DATE<br>2010/06/10         | SEE TABLE  |              |                                    |                        |
| A4  |                    | MATERIAL NO.                                       | DOCUMENT NO.  | THIS DRAWING CONTAINS INFORMATION THAT IS PROPRIETARY TO MOLEX<br>INCORPORATED AND SHOULD NOT BE USED WITHOUT WRITTEN PERMISSION |                            |  |              |                                    |                        |

9 8 7 6 5 4 3 2 1

MODULE CARD  
 DDR3 DUAL IN-LINE MEMORY MODULE FAMILY 1.00MM CONTACT CENTERS  
 (JEDEC MO-269, ISSUE B, MAY 06)

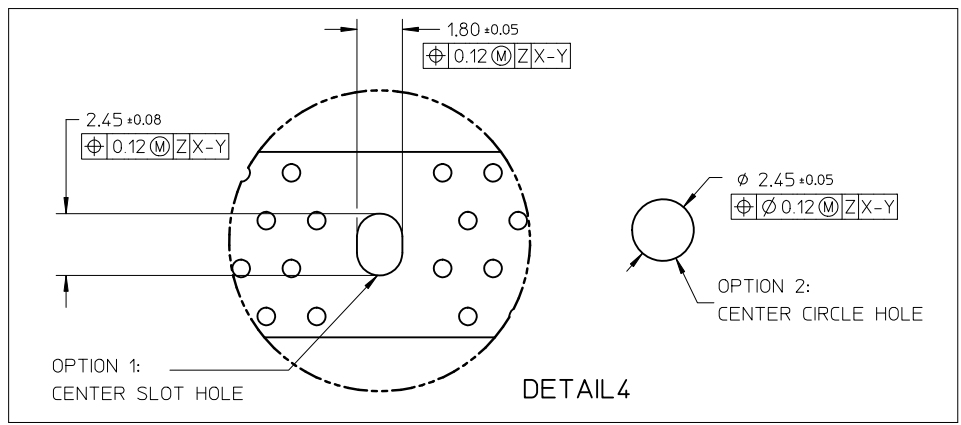
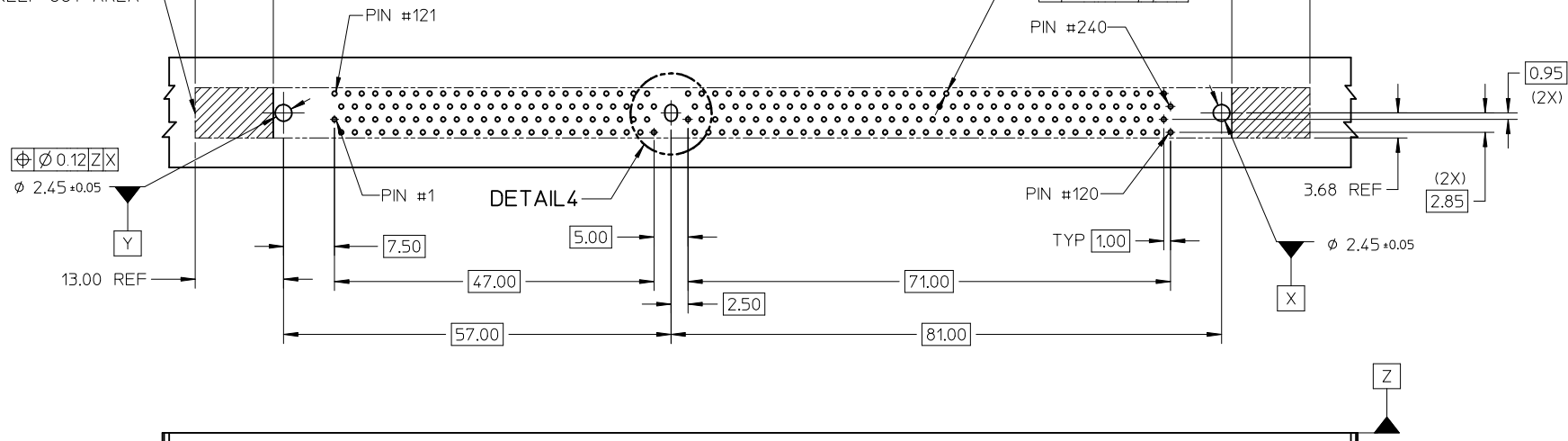


- NOTES:
- RECOMMENDED PLATING FOR CONTACT PADS:  
 PREFERRED: 0.76 MICROMETERS GOLD PLATING MIN OVER 2.00 MICROMETERS NICKEL  
 ALTERNATIVE: 0.05-0.75 MICROMETERS GOLD PLATING OVER 2.00 MICROMETERS NICKEL MUST USE AN ELECTRONIC CONTACT GRADE CORROSIVE BARRIER LUBRICANT
  - CHAMFER IS OPTIONAL AND IS NOT TO HIT THE GOLD PADS
  - LEADING EDGE OF GOLD PADS SPECIFIED BY KEEPOUT ZONE SHALL BE FREE OF BURRS AND EXTERNAL TIE BARS.

| FORKLOCK UPDATED<br>EC NO: S2010-0888<br>DRWN: JAKEEWEW 2010/04/29<br>CHYK: CCTEH 2010/06/10<br>APPR: SHLENI 2010/06/13 | DESCRIPTION<br>REV   | QUALITY SYMBOLS                     | GENERAL TOLERANCES (UNLESS SPECIFIED)  |                                    | DIMENSION STYLE<br>MM ONLY   |                     | SCALE<br>NTS | DESIGN UNITS<br>METRIC | THIRD ANGLE PROJECTION |                |       |               |       |                      |                    |  |  |
|---|--|-------------------------------------|--|------------------------------------|------------------------------|---------------------|--------------|------------------------|------------------------|----------------|-------|---------------|-------|----------------------|--------------------|--|--|
|   |  | $F_A = 0$<br>$F_G = 0$<br>$F_P = 0$ | <table border="1"> <tr><th>mm</th><th>INCH</th></tr> <tr><td>4 PLACES ± ---</td><td>± ---</td></tr> <tr><td>3 PLACES ± ---</td><td>± ---</td></tr> <tr><td>2 PLACES ± 0.2</td><td>± ---</td></tr> <tr><td>1 PLACE ± ---</td><td>± ---</td></tr> </table> | mm                                 | INCH                         | 4 PLACES ± ---      | ± ---        | 3 PLACES ± ---         | ± ---                  | 2 PLACES ± 0.2 | ± --- | 1 PLACE ± --- | ± --- | DRAWN BY<br>YTYANG01 | DATE<br>2006/08/11 | TITLE<br>DDR3 DIMM, 1.00MM PITCH<br>240 CKTS, VERTICAL T/H |  |
|   |  | mm                                  | INCH   |                                    |                              |                     |              |                        |                        |                |       |               |       |                      |                    |  |  |
|   |  | 4 PLACES ± ---                      | ± ---  |                                    |                              |                     |              |                        |                        |                |       |               |       |                      |                    |  |  |
| 3 PLACES ± ---  | ± ---  |                                     |  |                                    |                              |                     |              |                        |                        |                |       |               |       |                      |                    |  |  |
| 2 PLACES ± 0.2  | ± ---  |                                     |  |                                    |                              |                     |              |                        |                        |                |       |               |       |                      |                    |  |  |
| 1 PLACE ± ---   | ± ---  |                                     |  |                                    |                              |                     |              |                        |                        |                |       |               |       |                      |                    |  |  |
| ANGULAR ± 1°  | DRAFT WHERE APPLICABLE<br>MUST REMAIN<br>WITHIN DIMENSIONS | CHECKED BY<br>SHLENI                | DATE<br>2006/09/07   | MOLEX INCORPORATED<br>SD-78079-001 |                              |                     |              |                        |                        |                |       |               |       |                      |                    |  |  |
| A4  | REV  | MATERIAL NO.<br>SEE TABLE           | APPROVED BY<br>SHLENI  | DATE<br>2010/06/10                 | DOCUMENT NO.<br>SD-78079-001 | SHEET NO.<br>3 OF 8 |              |                        |                        |                |       |               |       |                      |                    |  |  |

10 9 8 7 6 5 4 3 2 1

KEEP OUT AREA

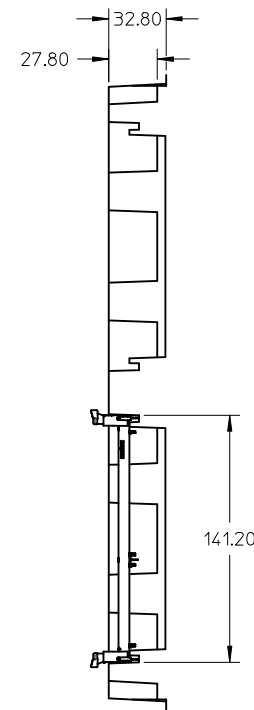
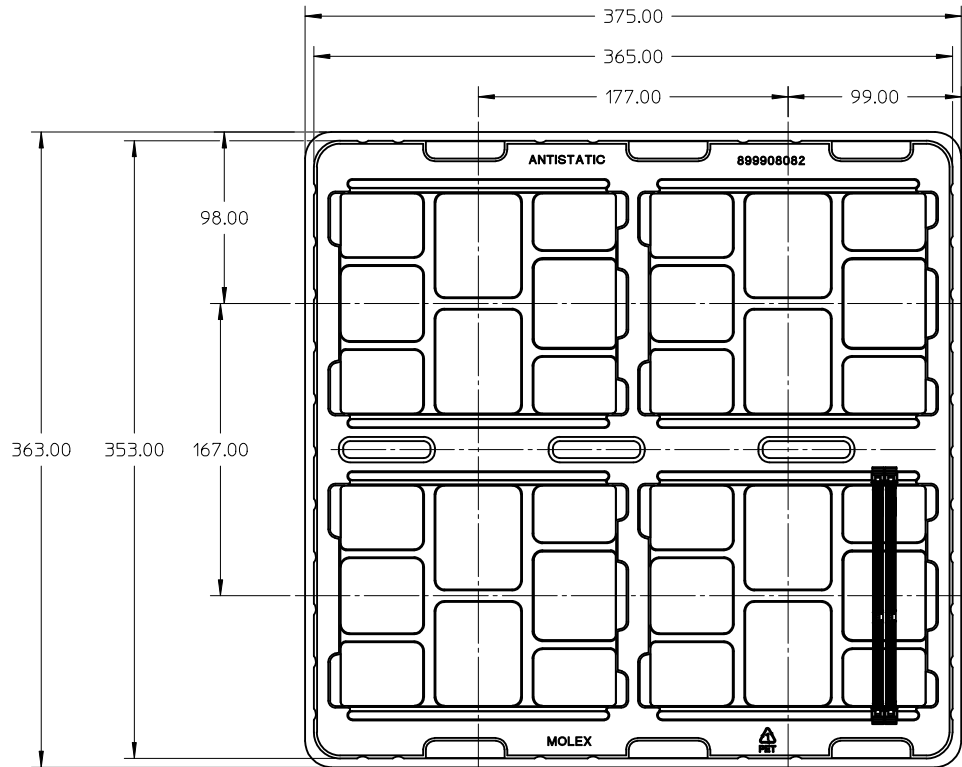


NOTE:  
 1. KEEP OUT AREA IS THE AREA WHERE THE CONNECTOR (INCLUDING LATCH) IS MOUNTED ON THE PCB.

|   |                    |                               |                                       |  |                            |                    |   |   |                        |  |  |  |
|---|--------------------|-------------------------------|---------------------------------------|--|----------------------------|--------------------|---|---|------------------------|--|--|--|
| FORKLOCK UPDATED<br>EC NO: S2010-0888<br>DRWN: JAKEEWEW 2010/04/29<br>CHKD: CCTEH 2010/06/10<br>APPR: SHLENI 2010/06/13 | DESCRIPTION<br>REV | QUALITY SYMBOLS               | GENERAL TOLERANCES (UNLESS SPECIFIED) |  | DIMENSION STYLE<br>MM ONLY |                    | SCALE<br>NTS  | DESIGN UNITS<br>METRIC  | THIRD ANGLE PROJECTION |  |  |  |
|   |                    | $F_A=0$<br>$F_C=0$<br>$F_P=0$ | mm                                    | INCH   | DRAWN BY<br>YTYANG01       | DATE<br>2006/08/11 | TITLE<br>DDR3 DIMM, 100MM PITCH<br>240 CKTS, VERTICAL T/H       |   |                        |  |  |  |
|   |                    |                               | 4 PLACES ± --- ± ---                  | 3 PLACES ± --- ± ---                                 | CHECKED BY<br>SHLENI       | DATE<br>2006/09/07 | MOLEX INCORPORATED<br>MATERIAL NO. SD-78079-001<br>DOCUMENT NO. |   |                        |  |  |  |
|   |                    |                               | 2 PLACES ± 0.2 ± ---                  | 1 PLACE ± --- ± ---                                  | APPROVED BY<br>SHLENI      | DATE<br>2010/06/10 |   |   |                        |  |  |  |
| A4  |                    | ANGULAR ± 1 °                 |                                       | DRAFT WHERE APPLICABLE MUST REMAIN WITHIN DIMENSIONS |                            | SEE TABLE          |   | THIS DRAWING CONTAINS INFORMATION THAT IS PROPRIETARY TO MOLEX INCORPORATED AND SHOULD NOT BE USED WITHOUT WRITTEN PERMISSION |                        |  |  |  |

9 8 7 6 5 4 3 2 1

10 9 8 7 6 5 4 3 2 1



NOTES:  
1. QTY OF CAVITY: 20 X 4 = 80 PCS

|   |                 |  |       |                            |                       |   |   |                        |  |
|---|-----------------|--|-------|----------------------------|-----------------------|---|---|------------------------|--|
| FORKLOCK UPDATED<br>EC NO: S2010-0888<br>DRWN: JAKEEWEW 2010/04/29<br>CHKD: CCTEH 2010/06/10<br>APPR: SHLENI 2010/06/13 | QUALITY SYMBOLS | GENERAL TOLERANCES (UNLESS SPECIFIED)                |       | DIMENSION STYLE<br>MM ONLY |                       | SCALE<br>NTS  | DESIGN UNITS<br>METRIC                                    | THIRD ANGLE PROJECTION |  |
|   | $F_A=0$         | 4 PLACES   | ± --- | ± ---                      | DRAWN BY<br>YTYANG01  | DATE<br>2006/08/11  | TITLE<br>DDR3 DIMM, 100MM PITCH<br>240 CKTS, VERTICAL T/H |                        |  |
|   | $F_C=0$         | 3 PLACES   | ± --- | ± ---                      | CHECKED BY<br>SHLENI  | DATE<br>2006/09/07  | MATERIAL NO. SEE TABLE                                    |                        |  |
|   | $F_P=0$         | 2 PLACES   | ± 0.2 | ± ---                      | APPROVED BY<br>SHLENI | DATE<br>2010/06/10  | DOCUMENT NO. SD-78079-001                                 |                        |  |
|   |                 | 1 PLACE  | ± --- | ± ---                      | ANGULAR ± 1 °         |   | SHEET NO. 5 OF 8  |                        |  |
|   |                 | DRAFT WHERE APPLICABLE MUST REMAIN WITHIN DIMENSIONS |       | SIZE<br>A3                 |                       | THIS DRAWING CONTAINS INFORMATION THAT IS PROPRIETARY TO MOLEX INCORPORATED AND SHOULD NOT BE USED WITHOUT WRITTEN PERMISSION |   |                        |  |

9 8 7 6 5 4 3 2 1

| ASSEMBLY PART NO. | VOLTAGE KEY   | HOUSING COLOR | LATCH COLOR        | DIM 'P' | RECOMMENDED PCB THICKNESS  | PLATING OPTION   | PRODUCT SPECIFICATION |  |              |
|-------------------|---------------|---------------|--------------------|---------|--|--|-----------------------|--|--------------|
| 78079-0001        | CENTRE (1.5V) | BLACK         | BLACK              | 2.67    | 1.57   | 0.38 MICROMETER/ 15 MICROINCH MIN. GOLD ON CONTACT<br>2.54 MICROMETER/ 100 MICROINCH MIN. PURE TIN ON SOLDER TAILS<br>1.27 MICROMETER/ 50 MICROINCH MIN. NICKEL UNDERPLATE | PS-78079-001          |  |              |
| 78079-0003        |               |               |                    | 3.00    | 2.18   |  |                       |  |              |
| 78079-0002        |               |               |                    | 3.18    | 2.36   |  |                       |  |              |
| 78079-0011        |               |               |                    | 2.67    | 1.57   | 0.76 MICROMETER/ 30 MICROINCH MIN. GOLD ON CONTACT<br>2.54 MICROMETER/ 100 MICROINCH MIN. PURE TIN ON SOLDER TAILS<br>1.27 MICROMETER/ 50 MICROINCH MIN. NICKEL UNDERPLATE |                       | PS-78079-002   |              |
| 78079-0013        |               |               |                    | 3.00    | 2.18   |  |                       |  |              |
| 78079-0012        |               |               |                    | 3.18    | 2.36   |  |                       |  |              |
| 78079-0021        |               |               |                    | 2.67    | 1.57   | 0.076 MICROMETER/ 3 MICROINCH MIN. GOLD ON CONTACT<br>2.54 MICROMETER/ 100 MICROINCH MIN. PURE TIN ON SOLDER TAILS<br>1.27 MICROMETER/ 50 MICROINCH MIN. NICKEL UNDERPLATE |                       | PS-78079-003   |              |
| 78079-0023        |               |               |                    | 3.00    | 2.18   |  |                       |  |              |
| 78079-0022        |               |               |                    | 3.18    | 2.36   |  |                       |  |              |
| 78079-0051        |               |               | NATURAL (OFFWHITE) |         | 0.38 MICROMETER/ 15 MICROINCH MIN. GOLD ON CONTACT<br>2.54 MICROMETER/ 100 MICROINCH MIN. PURE TIN ON SOLDER TAILS<br>1.27 MICROMETER/ 50 MICROINCH MIN. NICKEL UNDERPLATE | PS-78079-001   |                       |  |              |
| 78079-0053        |               |               |                    |         |  |  | 2.67                  | 1.57   |              |
| 78079-0052        |               |               |                    |         |  |  | 3.00                  | 2.18   |              |
| 78079-0061        |               |               |                    |         | 3.18   |  | 2.36                  | 0.76 MICROMETER/ 30 MICROINCH MIN. GOLD ON CONTACT<br>2.54 MICROMETER/ 100 MICROINCH MIN. PURE TIN ON SOLDER TAILS<br>1.27 MICROMETER/ 50 MICROINCH MIN. NICKEL UNDERPLATE | PS-78079-002 |
| 78079-0063        |               |               |                    |         | 2.67   |  | 1.57                  |  |              |
| 78079-0062        |               |               |                    |         | 3.00   |  | 2.18                  |  |              |
| 78079-0071        |               |               |                    |         | 3.18   |  | 2.36                  | 0.076 MICROMETER/ 3 MICROINCH MIN. GOLD ON CONTACT<br>2.54 MICROMETER/ 100 MICROINCH MIN. PURE TIN ON SOLDER TAILS<br>1.27 MICROMETER/ 50 MICROINCH MIN. NICKEL UNDERPLATE | PS-78079-003 |
| 78079-0073        |               |               |                    |         | 2.67   |  | 1.57                  |  |              |
| 78079-0072        |               |               |                    |         | 3.00   |  | 2.18                  |  |              |

|  |                               |   |   |  |                               |                        |  |
|--|-------------------------------|---|---|--|-------------------------------|------------------------|--|
| <b>FORKLOCK UPDATED</b><br>EC NO: S2010-0888<br>DRWN: JAKEEWEW 2010/04/29<br>CHKD: CCTEH 2010/06/10<br>APPR: SHLENI 2010/06/13 | QUALITY SYMBOLS               | GENERAL TOLERANCES (UNLESS SPECIFIED)   | DIMENSION STYLE<br><b>MM ONLY</b>   | SCALE<br><b>NTS</b>  | DESIGN UNITS<br><b>METRIC</b> | THIRD ANGLE PROJECTION |  |
|  | $F_A=0$<br>$F_C=0$<br>$F_P=0$ | mm      INCH<br>4 PLACES ± --- ± ---<br>3 PLACES ± --- ± ---<br>2 PLACES ± 0.2 ± ---<br>1 PLACE ± --- ± --- | DRAWN BY: YTYANG01      DATE: 2006/08/11<br>CHECKED BY: SHLENI      DATE: 2006/09/07<br>APPROVED BY: SHLENI      DATE: 2010/06/10   | TITLE: <b>DDR3 DIMM, 1.00MM PITCH<br/>240 CKTS, VERTICAL T/H</b> |                               |                        |  |
|  |                               | ANGULAR ± 1 °   | MATERIAL NO.      DOCUMENT NO.      SHEET NO.<br><b>SEE TABLE</b> <b>SD-78079-001</b> <b>6 OF 8</b>   |  |                               |                        |  |
|  | <b>A4</b>                     | REV   | DRAFT WHERE APPLICABLE MUST REMAIN WITHIN DIMENSIONS<br>SIZE: <b>A3</b> THIS DRAWING CONTAINS INFORMATION THAT IS PROPRIETARY TO MOLEX INCORPORATED AND SHOULD NOT BE USED WITHOUT WRITTEN PERMISSION |  |                               |                        |  |



| ASSEMBLY PART NO. | VOLTAGE KEY   | HOUSING COLOR | LATCH COLOR        | DIM 'P'  | RECOMMENDED PCB THICKNESS | PLATING OPTION   | PRODUCT SPECIFICATION  |              |              |
|-------------------|---------------|---------------|--------------------|--|---------------------------|--|--|--------------|--------------|
| 78079-0201        | CENTRE (1.5V) | BLUE          | NATURAL (OFFWHITE) | 2.67   | 1.57                      | 0.38 MICROMETER/ 15 MICROINCH MIN. GOLD ON CONTACT<br>2.54 MICROMETER/ 100 MICROINCH MIN. PURE TIN ON SOLDER TAILS<br>1.27 MICROMETER/ 50 MICROINCH MIN. NICKEL UNDERPLATE | PS-78079-001   |              |              |
| 78079-0203        |               |               |                    | 3.00   | 2.18                      |  |  |              |              |
| 78079-0202        |               |               |                    | 3.18   | 2.36                      |  |  |              |              |
| 78079-0211        |               |               |                    | 2.67   | 1.57                      | 0.76 MICROMETER/ 30 MICROINCH MIN. GOLD ON CONTACT<br>2.54 MICROMETER/ 100 MICROINCH MIN. PURE TIN ON SOLDER TAILS<br>1.27 MICROMETER/ 50 MICROINCH MIN. NICKEL UNDERPLATE |  | PS-78079-002 |              |
| 78079-0213        |               |               |                    | 3.00   | 2.18                      |  |  |              |              |
| 78079-0212        |               |               |                    | 3.18   | 2.36                      |  |  |              |              |
| 78079-0221        |               | 2.67          | 1.57               | 0.076 MICROMETER/ 3 MICROINCH MIN. GOLD ON CONTACT<br>2.54 MICROMETER/ 100 MICROINCH MIN. PURE TIN ON SOLDER TAILS<br>1.27 MICROMETER/ 50 MICROINCH MIN. NICKEL UNDERPLATE | PS-78079-003              |  |  |              |              |
| 78079-0223        |               | 3.00          | 2.18               |  |                           |  |  |              |              |
| 78079-0222        |               | 3.18          | 2.36               |  |                           |  |  |              |              |
| 78079-0351        |               | GREEN         | NATURAL (OFFWHITE) | NATURAL (OFFWHITE)   | 2.67                      | 1.57   | 0.38 MICROMETER/ 15 MICROINCH MIN. GOLD ON CONTACT<br>2.54 MICROMETER/ 100 MICROINCH MIN. PURE TIN ON SOLDER TAILS<br>1.27 MICROMETER/ 50 MICROINCH MIN. NICKEL UNDERPLATE | PS-78079-001 |              |
| 78079-0353        |               |               |                    |  | 3.00                      | 2.18   |  |              |              |
| 78079-0352        |               |               |                    |  | 3.18                      | 2.36   |  |              |              |
| 78079-0361        |               |               |                    |  | 2.67                      | 1.57   | 0.76 MICROMETER/ 30 MICROINCH MIN. GOLD ON CONTACT<br>2.54 MICROMETER/ 100 MICROINCH MIN. PURE TIN ON SOLDER TAILS<br>1.27 MICROMETER/ 50 MICROINCH MIN. NICKEL UNDERPLATE |              | PS-78079-002 |
| 78079-0363        |               |               |                    |  | 3.00                      | 2.18   |  |              |              |
| 78079-0362        |               |               |                    |  | 3.18                      | 2.36   |  |              |              |
| 78079-0371        |               |               |                    |  | 2.67                      | 1.57   | 0.076 MICROMETER/ 3 MICROINCH MIN. GOLD ON CONTACT<br>2.54 MICROMETER/ 100 MICROINCH MIN. PURE TIN ON SOLDER TAILS<br>1.27 MICROMETER/ 50 MICROINCH MIN. NICKEL UNDERPLATE |              | PS-78079-003 |
| 78079-0373        |               |               |                    |  | 3.00                      | 2.18   |  |              |              |
| 78079-0372        |               | 3.18          | 2.36               |  |                           |  |  |              |              |

|  |                               |  |  |  |                        |                        |  |
|--|-------------------------------|--|--|--|------------------------|------------------------|--|
| <b>FORKLOCK UPDATED</b><br>EC NO: S2010-0888<br>DRWN: JAKEEWEW 2010/04/29<br>CHKD: CCTEH 2010/06/10<br>APPR: SHLENI 2010/06/13 | QUALITY SYMBOLS               | GENERAL TOLERANCES (UNLESS SPECIFIED)  | DIMENSION STYLE<br><b>MM ONLY</b>  | SCALE<br>NTS   | DESIGN UNITS<br>METRIC | THIRD ANGLE PROJECTION |  |
|  | $F_A=0$<br>$F_C=0$<br>$F_P=0$ | mm      INCH<br>4 PLACES ± --- ± ---<br>3 PLACES ± --- ± ---<br>2 PLACES ± 0.2 ± ---<br>1 PLACE ± --- ± ---<br>ANGULAR ± 1 ° | DRAWN BY: YTYANG01      DATE: 2006/08/11<br>CHECKED BY: SHLENI      DATE: 2006/09/07<br>APPROVED BY: SHLENI      DATE: 2010/06/10                | TITLE: <b>DDR3 DIMM, 1.00MM PITCH<br/>240 CKTS, VERTICAL T/H</b> |                        |                        |  |
|  | A4                            | DRAFT WHERE APPLICABLE<br>MUST REMAIN<br>WITHIN DIMENSIONS   | MATERIAL NO.      DOCUMENT NO.<br><b>SEE TABLE</b> <b>SD-78079-001</b>   | SHEET NO.<br><b>7 OF 8</b>                                       |                        |                        |  |
|  |                               |  | SIZE: <b>A3</b><br>THIS DRAWING CONTAINS INFORMATION THAT IS PROPRIETARY TO MOLEX INCORPORATED AND SHOULD NOT BE USED WITHOUT WRITTEN PERMISSION |  |                        |                        |  |

F

E

D

C

B

A

| ASSEMBLY PART NO. | VOLTAGE KEY   | HOUSING COLOR      | LATCH COLOR        | DIM 'P'       | RECOMMENDED PCB THICKNESS | PLATING OPTION  | PRODUCT SPECIFICATION |      |   |              |
|-------------------|---------------|--------------------|--------------------|---------------|---------------------------|---|-----------------------|------|---|--------------|
| 78079-0101        | CENTRE (1.5V) | NATURAL (OFFWHITE) | NATURAL (OFFWHITE) | 2.67          | 1.57                      | 0.38 MICROMETER/ 15 MICROINCH MIN. GOLD ON CONTACT<br>2.54 MICROMETER/ 100 MICROINCH MIN. PURE TIN ON SOLDERTAILS<br>1.27 MICROMETER/ 50 MICROINCH MIN. NICKEL UNDERPLATE | PS-78079-001          |      |   |              |
| 78079-0103        |               |                    |                    | 3.00          | 2.18                      |   |                       |      |   |              |
| 78079-0102        |               |                    |                    | 3.18          | 2.36                      |   |                       |      |   |              |
| 78079-0111        |               |                    |                    | CENTRE (1.5V) | NATURAL (OFFWHITE)        | NATURAL (OFFWHITE)  | 2.67                  | 1.57 | 0.76 MICROMETER/ 30 MICROINCH MIN. GOLD ON CONTACT<br>2.54 MICROMETER/ 100 MICROINCH MIN. PURE TIN ON SOLDERTAILS<br>1.27 MICROMETER/ 50 MICROINCH MIN. NICKEL UNDERPLATE | PS-78079-002 |
| 78079-0113        |               |                    |                    |               |                           |   | 3.00                  | 2.18 |   |              |
| 78079-0112        |               |                    |                    |               |                           |   | 3.18                  | 2.36 |   |              |
| 78079-0121        |               |                    |                    |               |                           |   | 2.67                  | 1.57 | 0.076 MICROMETER/ 3 MICROINCH MIN. GOLD ON CONTACT<br>2.54 MICROMETER/ 100 MICROINCH MIN. PURE TIN ON SOLDERTAILS<br>1.27 MICROMETER/ 50 MICROINCH MIN. NICKEL UNDERPLATE | PS-78079-003 |
| 78079-0123        |               |                    |                    |               |                           |   | 3.00                  | 2.18 |   |              |
| 78079-0122        |               |                    |                    | 3.18          | 2.36                      |   |                       |      |   |              |

|  |                 |  |                                   |  |                               |  |
|--|-----------------|--|-----------------------------------|--|-------------------------------|--|
| FORKLOCK UPDATED<br>EC NO: S2010-0888<br>DRWN: JAKEEWEW 2010/04/29<br>CHKD: CTEH 2010/06/10<br>APPR: SHLENI 2010/06/13 | QUALITY SYMBOLS | GENERAL TOLERANCES (UNLESS SPECIFIED)                | DIMENSION STYLE<br><b>MM ONLY</b> | SCALE<br><b>NTS</b>  | DESIGN UNITS<br><b>METRIC</b> | THIRD ANGLE PROJECTION   |
|  | $F_A=0$         | mm INCH  | DRAWN BY DATE                     | NTS  | METRIC                        | TITLE<br><b>DDR3 DIMM, 1.00MM PITCH<br/>240 CKTS, VERTICAL T/H</b> |
|  | $F_C=0$         | 4 PLACES ± --- ± ---                                 | YTYANG01 2006/08/11               | CHECKED BY DATE  |                               |  |
|  | $F_P=0$         | 3 PLACES ± --- ± ---                                 | SHLENI 2006/09/07                 | APPROVED BY DATE   |                               |  |
|  | ANGULAR ± 1 °   | 1 PLACE ± --- ± ---                                  | SHLENI 2010/06/10                 |  |                               | MOLEX INCORPORATED<br>MATERIAL NO. DOCUMENT NO. SHEET NO.          |
| A4   | REV             | DRAFT WHERE APPLICABLE MUST REMAIN WITHIN DIMENSIONS | SIZE<br><b>A3</b>                 | SEE TABLE<br>THIS DRAWING CONTAINS INFORMATION THAT IS PROPRIETARY TO MOLEX INCORPORATED AND SHOULD NOT BE USED WITHOUT WRITTEN PERMISSION |                               | SD-78079-001<br>8 OF 8   |