

PLEASE CHECK WWW.MOLEX.COM FOR LATEST PART INFORMATION

Part Number: [0359650200](#)
Status: **Active**
Description: 1.78mm (.070") Tab Multiple Wire-to-Wire Female Housing, 2 Circuits, Vertical, A-Type

Documents:

[Drawing \(PDF\)](#) [RoHS Certificate of Compliance \(PDF\)](#)
[Product Specification PS-35180-002 \(PDF\)](#)

Agency Certification

UL E29179

General

Product Family Crimp Housings
 Series [35965](#)
 Product Name N/A

Physical

Circuits (maximum) 2
 Gender Female
 Glow-Wire Compliant No
 Number of Rows 2
 Packaging Type Bag
 Panel Mount No
 Pitch - Mating Interface (in) 0.315 In
 Pitch - Mating Interface (mm) 8.00 mm
 Stackable No
 Temperature Range - Operating -40°C to +120°C

Material Info

Reference - Drawing Numbers

Product Specification PS-35180-002
 Sales Drawing SD-35965-020*

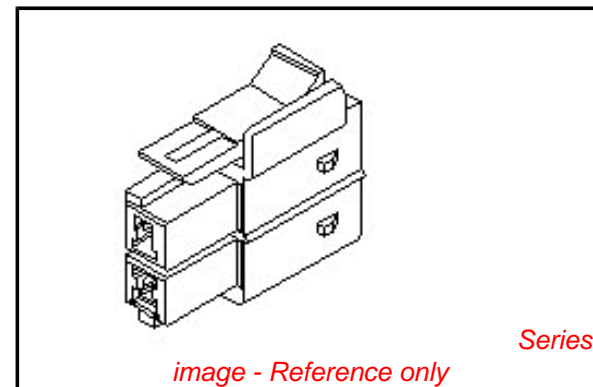


image - Reference only

EU RoHS

**ELV and RoHS
 Compliant**
REACH SVHC
 Not Reviewed
**Halogen-Free
 Status**

China RoHS



**Need more information on product
 environmental compliance?**

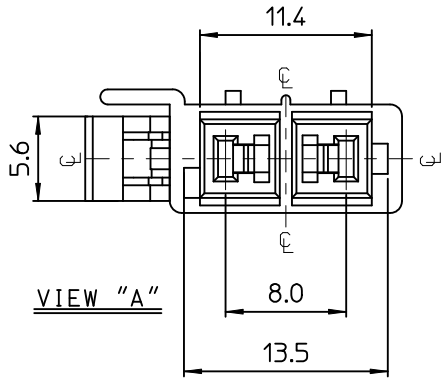
Email productcompliance@molex.com
 For a multiple part number RoHS Certificate of
 Compliance, [click here](#)

Please visit the [Contact Us](#) section for any
 non-product compliance questions.

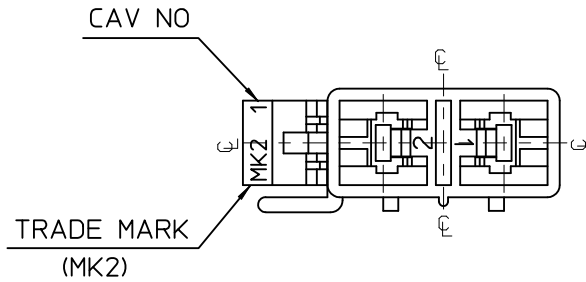
Search Parts in this Series
[35965Series](#)

Mates With
[35180](#)

Use With
[35746](#)

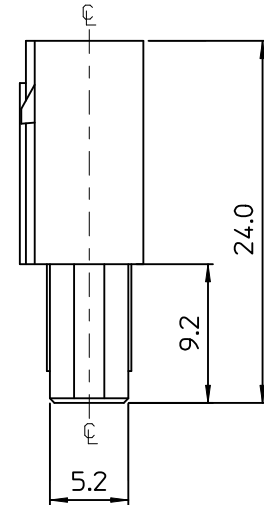
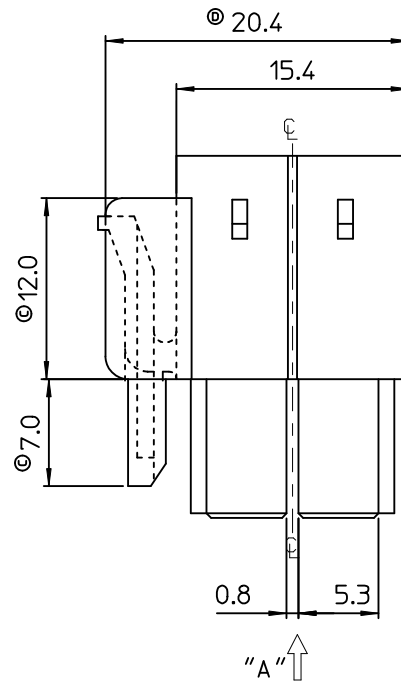
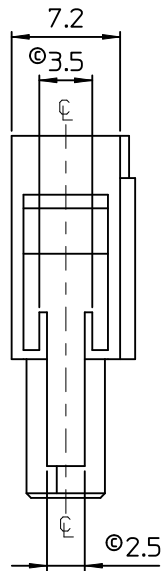


VIEW "A"



NOTES.

1. MATERIAL & COLOR : SEE TABLE
2. MATED HOUSING : 35180-040*
35180-060*
3. APPLICABLE TERMINAL : 35746-0*10
4. APPLICABLE T.P.A : 35965-029*
5. PRODUCT SPECIFICATION : PS-35180-002



NO.	POLYESTER(PBT)		PC/PET(UL94V-0)	
	MATERIAL	COLOR	MATERIAL	COLOR
1	35965-0200	NATURAL	35965-9200	NATURAL
2	35965-0202	RED	35965-9202	RED
3	35965-0203	BLUE	35965-9203	YELLOW
4	35965-0204	BLUE	35965-9204	BLUE

REVISED	EC NO: KOR2010-0186	2010/05/17
	DRWN: JHPARK01	2010/05/17
	CHKD: SHCHU	2010/05/17
	APPR: YOUNG IKKIM	2010/05/18
REV	DESCRIPTION	

QUALITY SYMBOLS		
▽=0		
▽=0		
GENERAL TOLERANCES (UNLESS SPECIFIED)		
	mm	INCH
4 PLACES	± ---	± ---
3 PLACES	± ---	± ---
2 PLACES	± ---	± ---
1 PLACE	± 0.3	± ---
ANGULAR ± 1 °		
DRAFT WHERE APPLICABLE MUST REMAIN WITHIN DIMENSIONS		

DIMENSION STYLE	
MM ONLY	
DRAWN BY	DATE
JS. KANG	1995/09/28
CHECKED BY	DATE
BK. CHOI	1995/09/28
APPROVED BY	DATE
CW. LEE	1995/09/28
MATERIAL NO.	
SEE TABLE	
SIZE	
A3	

SCALE	DESIGN UNITS	THIRD ANGLE PROJECTION
3:1	METRIC	
TITLE		
070 MULTI FEMALE HSG 2P(A)		
molex MOLEX INCORPORATED		
MATERIAL NO.	DOCUMENT NO.	SHEET NO.
SEE TABLE	SD-35965-020*	1 OF 01
THIS DRAWING CONTAINS INFORMATION THAT IS PROPRIETARY TO MOLEX INCORPORATED AND SHOULD NOT BE USED WITHOUT WRITTEN PERMISSION		