

# SMD Power Inductor CDH5D16/S



 **sumida**

## ■ Features

- ◎ 6.0 × 6.0mm Max.(L × W), 1.7mm Max. Height.
- ◎ Storage temperature range: -40°C ~ +105°C.
- ◎ Operating temperature range: -40°C ~ +105°C.
- ◎ RoHS compliance.
- ◎ Halogen Free available.

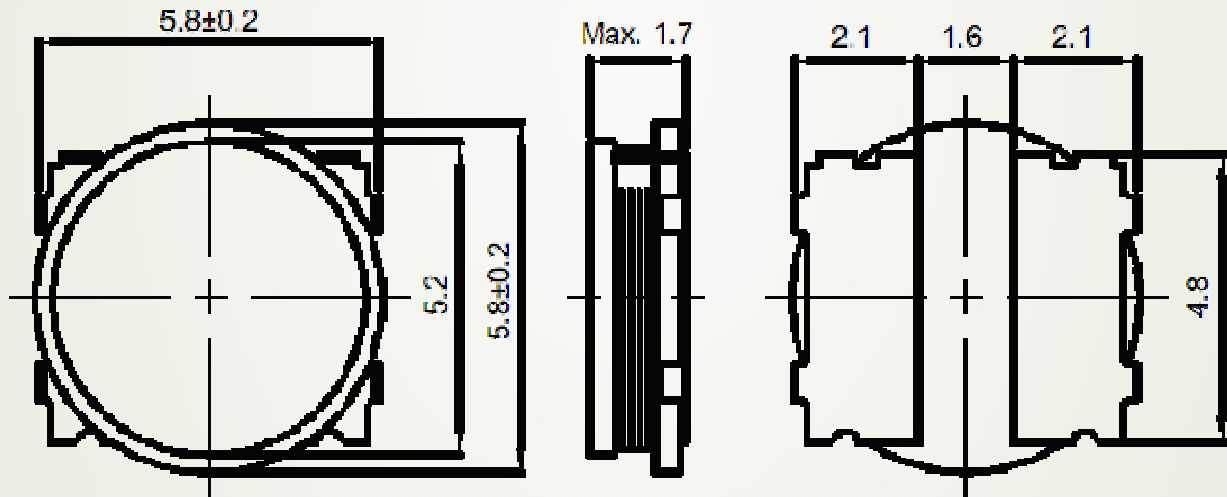


## ■ Applications

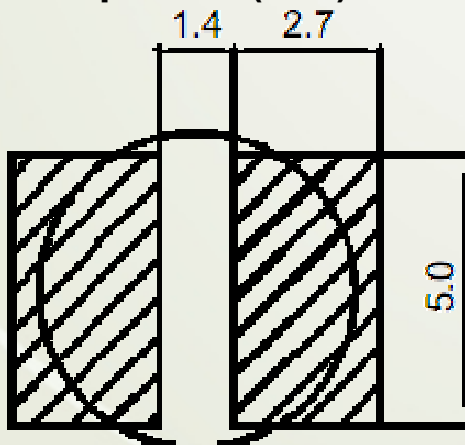
Surface mount inductor for PDA, MP3, HDD, DSC/DVC, etc.

## ■ Shapes and Dimensions/Recommended Land Patterns(mm)

### ◆ Dimensions



### ◆ Land pattern (mm)



# SMD Power Inductor CDH5D16/S



## ■Electrical Characteristics specification.

Sumida P/N	Stamp	Inductance ( $\mu$ H) ※1	D.C.R. (m $\Omega$ ) (at 20°C)	Saturation Current (A) ※2	Temperature Rise Current (A) ※3
CDH5D16SHF-1R1MC	1R1	1.1 $\pm$ 20%	23 $\pm$ 20%	4.72	4.05
CDH5D16SHF-1R5MC	1R5	1.5 $\pm$ 20%	28 $\pm$ 20%	4.08	3.70
CDH5D16SHF-2R5MC	2R5	2.5 $\pm$ 20%	40 $\pm$ 20%	3.26	3.10
CDH5D16SHF-3R1MC	3R1	3.1 $\pm$ 20%	46 $\pm$ 20%	2.96	2.90
CDH5D16SHF-4R7MC	4R7	4.7 $\pm$ 20%	69 $\pm$ 20%	2.40	2.32
CDH5D16SHF-6R8MC	6R8	6.8 $\pm$ 20%	97 $\pm$ 20%	2.00	1.90
CDH5D16SHF-100MC	100	10 $\pm$ 20%	120 $\pm$ 20%	1.65	1.68
CDH5D16SHF-150MC	150	15 $\pm$ 20%	205 $\pm$ 20%	1.34	1.24
CDH5D16SHF-220MC	220	22 $\pm$ 20%	311 $\pm$ 20%	1.10	1.03
CDH5D16SHF-330MC	330	33 $\pm$ 20%	465 $\pm$ 20%	0.90	0.84

※1. Saturation current: The DC current at which the inductance decreases to 70% of its nominal value.

※2. Temperature rise current: The DC current at which the temperature rise is  $\Delta t=40^{\circ}\text{C}$ . ( $T_a=20^{\circ}\text{C}$ )

### For More Information

#### Hong Kong

Tel.+852-2880-6688  
FAX.+852-2565-9600

#### Shanghai

Tel.+86-021-58363299  
FAX.+86-021-58363266

#### Shenzhen

Tel.+86-755-82910228  
FAX.+86-755-82910338

#### Taipei

Tel.+886-2-27065228  
FAX.+886-2-27065229

#### Tokyo

Tel.+81-3-5202-7112  
FAX.+81-3-5202-7105

#### Seoul

Tel.+82-2-6237-0777  
FAX.+82-2-6237-0778

#### Singapore

Tel.+65-6296-3388  
FAX.+65-6296-3390

#### Malaysia

Tel.+60-3-8733-0900  
FAX.+60-3-8737-7384

#### Chicago

Tel.+1-847-545-6700  
FAX.+1-847-545-6720

#### California

Tel.+1-408-321-9660  
FAX.+1-408-321-9308