

PLEASE CHECK WWW.MOLEX.COM FOR LATEST PART INFORMATION

Part Number: [0473100041](#)
Status: **Active**
Overview: [pogo_pins](#)
Description: 2.50mm (.098") Pitch Pogo Pin Connector, SMT, Vertical, Contact Pin: 1.02µm (40µ") Gold (Au) Plating over 120-200µ" Nickel, with Pick-and-Place Cap, 2 Circuits

Documents:

[3D Model](#) [Product Specification PS-47310-001 \(PDF\)](#)
[Drawing \(PDF\)](#) [RoHS Certificate of Compliance \(PDF\)](#)

General

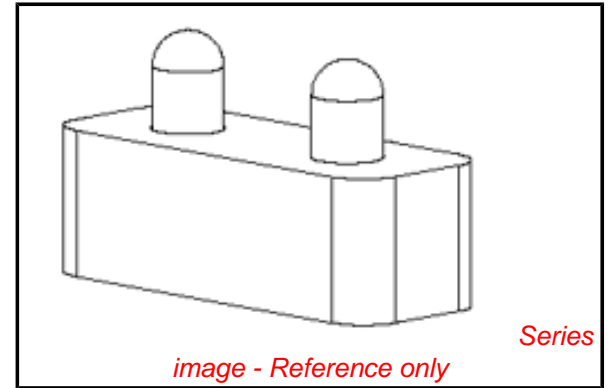
Product Family	PCB Headers
Series	47310
Application	Board-to-Board
Comments	Action Height: 1.80mm (.071")
Overview	pogo_pins
Product Name	PoGo Pin

Physical

Breakaway	No
Circuits (Loaded)	2
Circuits (maximum)	2
Durability (mating cycles max)	2,000
First Mate / Last Break	No
Glow-Wire Compliant	No
Guide to Mating Part	No
Keying to Mating Part	None
Lock to Mating Part	None
Material - Plating Mating	Gold
Material - Plating Termination	Gold
Number of Rows	1
Orientation	Vertical
PCB Locator	No
PCB Retention	Yes
Packaging Type	Embossed Tape on Reel
Pitch - Mating Interface (in)	0.098 In
Pitch - Mating Interface (mm)	2.50 mm
Pitch - Term. Interface (in)	0.098 In
Pitch - Term. Interface (mm)	2.50 mm
Plating min: Mating (µin)	40
Plating min: Mating (µm)	1
Plating min: Termination (µin)	80
Plating min: Termination (µm)	2
Polarized to Mating Part	No
Polarized to PCB	No
Robotic Placement	Pick and Place Cap
Shrouded	No
Stackable	No
Surface Mount Compatible (SMC)	No
Temperature Range - Operating	-40°C to +85°C
Termination Interface: Style	Surface Mount

Electrical

Current - Maximum per Contact	1A
Voltage - Maximum	12V DC



EU RoHS

RoHS Compliant by Exemption

REACH SVHC

Not Reviewed

Halogen-Free

Status

Not Halogen-Free

China RoHS



Need more information on product environmental compliance?

Email productcompliance@molex.com
 For a multiple part number RoHS Certificate of Compliance, [click here](#)

Please visit the [Contact Us](#) section for any non-product compliance questions.

Search Parts in this Series

[47310Series](#)

Solder Process Data

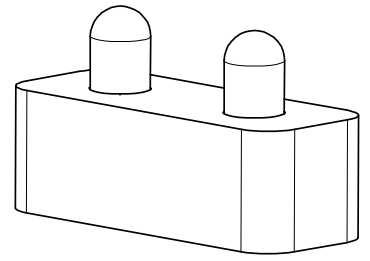
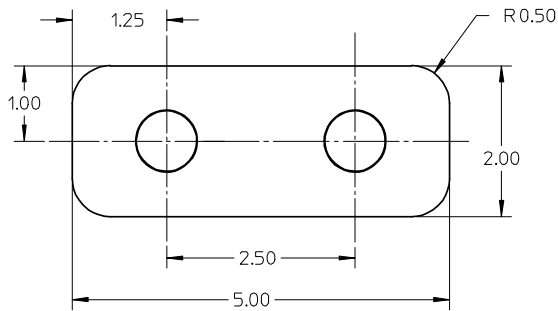
Duration at Max. Process Temperature (seconds)	20
Lead-free Process Capability	Reflow Capable (SMT only)
Max. Cycles at Max. Process Temperature	1
Process Temperature max. C	250

Material Info**Reference - Drawing Numbers**

Product Specification	PS-47310-001
Sales Drawing	SD-47310-001

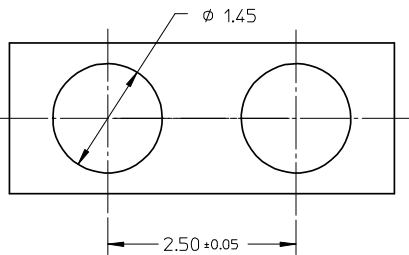
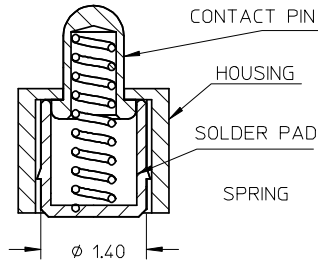
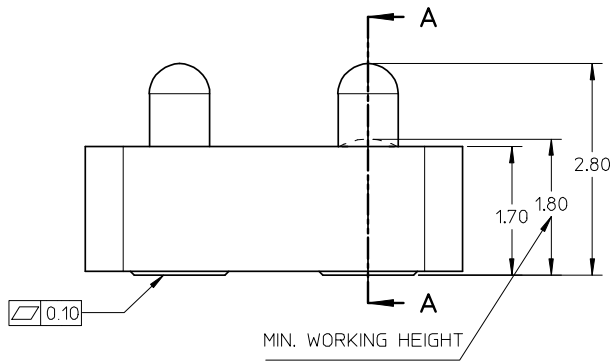
This document was generated on 05/26/2010

PLEASE CHECK WWW.MOLEX.COM FOR LATEST PART INFORMATION



NOTES:

- 1 MATERIAL:
 - 1-1 CONTACT PIN : COPPER ALLOY
 - 1-2 SOLDER PAD : COPPER ALLOY
 - 1-4 SPRING : SWP-B, PIANO WIRE OR EQUIVALENT
 - 1-5 HOUSING :
 - 473100001 : NYLON 46 UL 94-V0, BLACK
 - 473100041 : NYLON 9T, UL 94-V0, MEDIUM GRAY
- 2 FINISH:
 - SOLDER PAD : OVERALL 2~12μ MIN. GOLD OVER 50~250μ MIN. NIKEL
 - SPRING : OVERALL 4μ MIN. GOLD OVER 50μ MIN. NIKEL
- 3 MECHANICAL SPECIFICATION:
 - 3-1 SPRING FORCE : 50g MIN @ 0.45mm DEFLECTION, 80g MIN @ 0.70mm DEFLECTION
 - 3-2 DURABILITY : 2,000 cycles
 - 3-3 MAX. STROKE : 1.00 mm
 - 3-4 USE RETURN FORCE AS SPRING FORCE
- 4 ELECTRICAL SPECIFICATION :
 - 4-1 RATING VOLTAGE : 12V RMS
 - 4-2 RATING CURRENT : 1A MAX.
 - 4-3 CONTACT RESISTANCE : 30 mOhms MAX.
- 5 PRODUCT SPECIFICATION : PS-47310-001
- 6 APPLICATION : SPEAKER CONNECTOR
- 7 PRODUCT COMPLIANT TO RoHS DIRECTIVE 2002/95/EC AND ELV 2000/53/EC.



RECOMMENDED PCB LAYOUT
COMPONENT SIDE

473100041	CONTACT PIN : 40μ GOLD PLATING OVER 120~200μ NICKEL
473100001	CONTACT PIN : OVERALL 12μ MIN. GOLD OVER 50~250μ NICKEL

CHANGE RAW MATERIAL OF HSG EC NO: SHZ008-0278 DRWN: YANG13 CHKD: APPR: 2008/01/16	QUALITY SYMBOLS ▽=0 ◻=0	GENERAL TOLERANCES (UNLESS SPECIFIED)		DIMENSION STYLE MM ONLY		SCALE 10:1	DESIGN UNITS METRIC	THIRD ANGLE PROJECTION	
				DRAWN BY CYZHU	DATE 2006/04/19	TITLE ASSEMBLY 2 PIN POGO CONNECTOR			
				CHECKED BY	DATE	MOLEX INCORPORATED			
				APPROVED BY JNCHEN	DATE 2006/06/05	DOCUMENT NO. SD-47310-001			
		ANGULAR ±1/2°		MATERIAL NO. SEE TABLE		SHEET NO. 1 OF 1			
		DRAFT WHERE APPLICABLE MUST REMAIN WITHIN DIMENSIONS		THIS DRAWING CONTAINS INFORMATION THAT IS PROPRIETARY TO MOLEX INCORPORATED AND SHOULD NOT BE USED WITHOUT WRITTEN PERMISSION					