

**PLEASE CHECK WWW.MOLEX.COM FOR LATEST PART INFORMATION**

**Part Number:** [0309681207](#)  
**Status:** **Active**  
**Overview:** hdac 64 dualrow high density automotive connectors  
**Description:** 2.54mm (.100") Pitch, 0.64mm (.025") Width H-DAC 64™ High Density Automotive Crimp Housing, Dual Row, 20 Circuits, Polarization Option #1, Gray

**Documents:**

[Drawing \(PDF\)](#) [Product Specification PS-30968-0001 \(PDF\)](#)  
[Application Specification \(PDF\)](#) [RoHS Certificate of Compliance \(PDF\)](#)

**General**

Product Family	Crimp Housings
Series	<a href="#">30968</a>
Comments	Polarization Option #1
Overview	<a href="#">hdac 64 dualrow high density automotive connectors</a>
Product Name	H-DAC 64™

**Physical**

Circuits (maximum)	20
Circuits Detail	20
Color - Resin	Gray
Gender	Male
Glow-Wire Compliant	No
Keying to Mating Part	None
Lock to Mating Part	Yes
Material - Resin	Modified Polystyrene
Number of Rows	2
Packaging Type	Bag
Panel Mount	No
Pitch - Mating Interface (in)	0.100 In
Pitch - Mating Interface (mm)	2.54 mm
Polarized to Mating Part	Yes
Stackable	No
Temperature Range - Operating	-40°C to +105°C

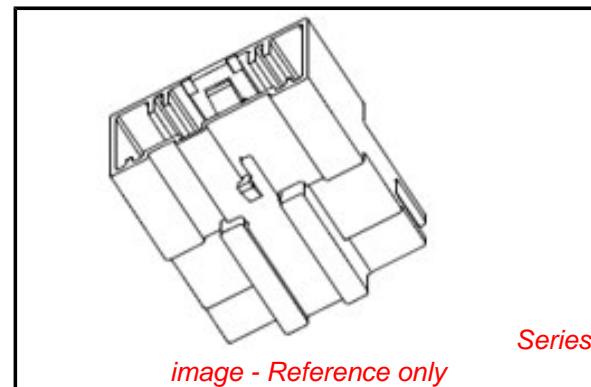
**Electrical**

Current - Maximum per Contact	7A
-------------------------------	----

**Material Info**

**Reference - Drawing Numbers**

Packaging Specification	PK-30907-760
Product Specification	PS-30968-0001
Sales Drawing	SD-30968-120



**EU RoHS**

**ELV and RoHS  
Compliant**  
**REACH SVHC  
Contains SVHC: No**  
**Halogen-Free  
Status  
Not Reviewed**

**China RoHS**



**Need more information on product  
environmental compliance?**

Email [productcompliance@molex.com](mailto:productcompliance@molex.com)  
 For a multiple part number RoHS Certificate of Compliance, [click here](#)

Please visit the [Contact Us](#) section for any non-product compliance questions.

**Search Parts in this Series**

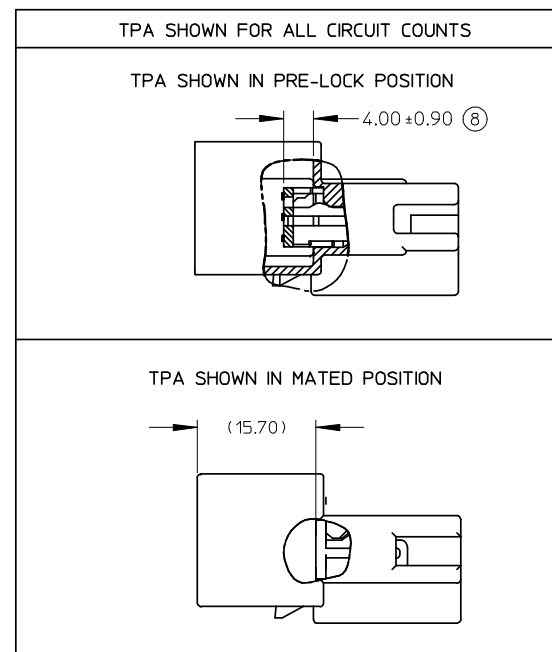
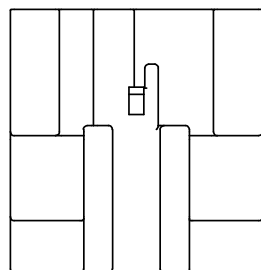
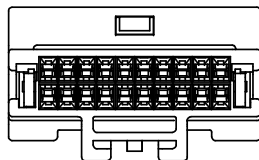
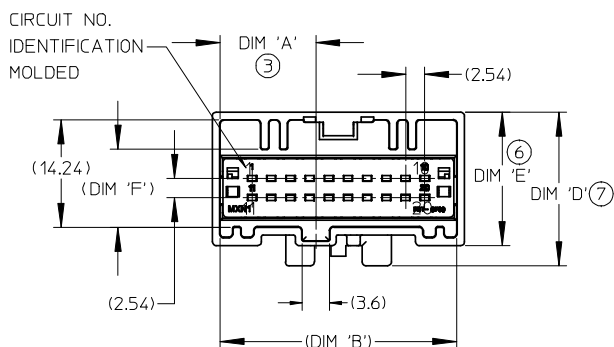
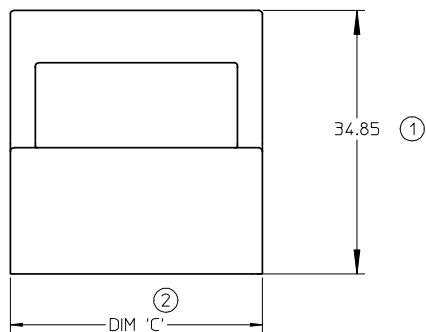
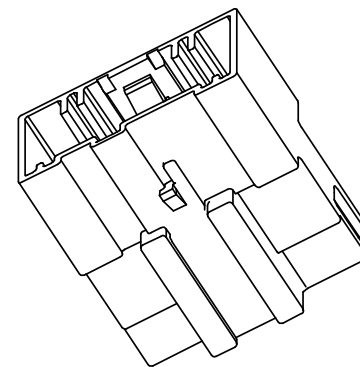
[30968Series](#)

**Mates With**

[30700-1\\*\\*\\*](#)|[31389-1\\*\\*\\*](#)

**Use With**

[34230](#) Terminal

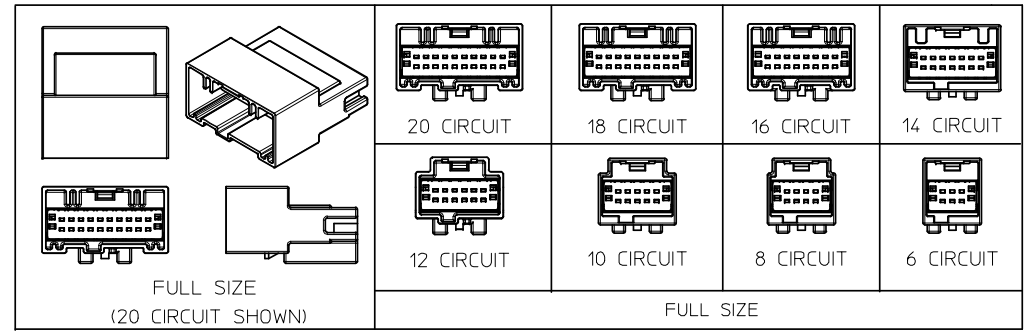


**20 CIRCUIT MALE INLINE  
HARNESS ASSEMBLY SHOWN.**

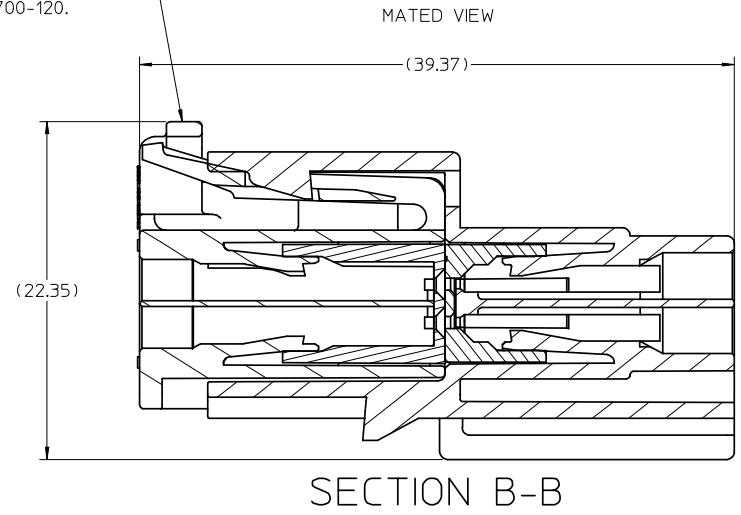
NOTES:

1. MATERIAL: HOUSING: SPS GLASS FILLED, COLOR SEE CHART. TPA: PBT.
2. PACKAGING SPECIFICATION: DRAWING PK-30907-760
3. PACKAGING: REFERENCE MOLEX SPECIFICATION PS-34646-001. AVAILABLE AT WWW.MOLEX.COM (REFERENCE: TPA'S THAT ARE FOUND IN SEATED (FINAL LOCK) POSITION.)
4. MATES WITH: SEE SALES DRAWING SD-30700-120
5. CONNECTOR IS DESIGNED FOR USE WITH TYCO TERMINAL PART NUMBERS: 1419158-6(22-24 AWG) AND 1419158-5 (18-20 AWG).

EC NO: UAU2007-0766 DRWN:BDICK01 2008/01/23 CHKD: 2008/01/23 APPR: SMARCEAL2008/01/24	QUALITY SYMBOLS	GENERAL TOLERANCES (UNLESS SPECIFIED)		SCALE 2:1	DESIGN UNITS METRIC	THIRD ANGLE PROJECTION	REVISE ON CAD ONLY	
	DESCRIPTION REV	▽ 0	mm	INCH	DIMENSION STYLE MM ONLY		TITLE	
		▽ 0	4 PLACES ± --- ± ---	3 PLACES ± --- ± ---	DRAWN BY JKSIK	DATE 99/09/03	SLEEVE ASSEMBLY WIRE CONNECTOR MALE	
			2 PLACES ± 0.13 ± ---	1 PLACE ± 0.25 ± ---	CHECKED BY LGIIB	DATE 99/10/28	MOLEX INCORPORATED	
		ANGULAR ± 1/2°		APPROVED BY BWILSON	DATE 99/10/28	MATERIAL NO. SEE CHART	DOCUMENT NO. SD-30968-120	
		DRAFT WHERE APPLICABLE MUST REMAIN WITHIN DIMENSIONS		SHEET NO. 1 OF 2				
THIS DRAWING CONTAINS INFORMATION THAT IS PROPRIETARY TO MOLEX INCORPORATED AND SHOULD NOT BE USED WITHOUT WRITTEN PERMISSION								



HARNESS ASSEMBLY  
SEE SALES DRAWING  
SD-30700-120.



PACKAGING	POLARIZATION OPTIONS & CIRCUIT SIZE			PRODUCT DIMENSIONS					
	ASSEMBLY P/N BULK PACKED	MALE INLINE HARNESS ASSEMBLY (POLARIZATION OPTIONS)	CIRCUIT SIZE	'A'	'B'	'C'	'D'	'E'	'F'
30968-1060	POLARIZATION OPTION #1	6	3.76	13.51	15.61	19.78	17.58	10.37	GRAY
30968-1061	POLARIZATION OPTION #2	6	6.76	13.51	15.61	19.78	17.58	10.37	BLACK
30968-1062	POLARIZATION OPTION #3	6	9.76	13.51	15.61	19.78	17.58	10.37	NATURAL (CREAM)
30968-1080	POLARIZATION OPTION #1	8	5.03	16.05	18.05	19.78	17.58	10.38	GRAY
30968-1081	POLARIZATION OPTION #2	8	8.03	16.05	18.05	19.78	17.58	10.38	BLACK
30968-1082	POLARIZATION OPTION #3	8	11.03	16.05	18.05	19.78	17.58	10.38	NATURAL (CREAM)
30968-1100	POLARIZATION OPTION #1	10	6.30	18.59	20.69	19.78	17.58	10.37	GRAY
30968-1101	POLARIZATION OPTION #2	10	9.30	18.59	20.69	19.78	17.58	10.37	BLACK
30968-1102	POLARIZATION OPTION #3	10	12.30	18.59	20.69	19.78	17.58	10.37	NATURAL (CREAM)
30968-1123	POLARIZATION OPTION #1 W/ CHRISTMAS TREE ATTACHMENT	12	7.57	20.98	23.23	20.34	17.64	10.34	GRAY
30968-1127	POLARIZATION OPTION #1	12	7.57	21.28	23.23	20.34	17.64	10.34	GRAY
30968-1126	POLARIZATION OPTION #2 W/ CHRISTMAS TREE ATTACHMENT	12	10.57	20.98	23.23	20.34	17.64	10.34	BLACK
30968-1128	POLARIZATION OPTION #2	12	10.57	21.28	23.23	20.34	17.64	10.34	BLACK
30968-1129	POLARIZATION OPTION #3	12	13.57	21.28	23.23	20.34	17.64	10.34	NATURAL (CREAM)
30968-1140	POLARIZATION OPTION #1	14	8.84	23.67	25.77	19.78	17.58	10.37	GRAY
30968-1141	POLARIZATION OPTION #2	14	11.84	23.67	25.77	19.78	17.58	10.37	BLACK
30968-1142	POLARIZATION OPTION #3	14	14.84	23.67	25.77	19.78	17.58	10.37	NATURAL (CREAM)
30968-1167	POLARIZATION OPTION #1	16	10.11	26.36	28.31	20.34	17.64	10.34	GRAY
30968-1164	POLARIZATION OPTION #1 W/ CHRISTMAS TREE ATTACHMENT	16	10.11	26.06	28.31	20.34	17.64	10.34	GRAY
30968-1168	POLARIZATION OPTION #2	16	13.11	26.36	28.31	20.34	17.64	10.34	BLACK
30968-1169	POLARIZATION OPTION #3	16	16.11	26.36	28.31	20.34	17.64	10.34	NATURAL (CREAM)
30968-1187	POLARIZATION OPTION #1	18	11.38	28.90	30.85	20.34	17.64	10.34	GRAY
30968-1188	POLARIZATION OPTION #2	18	14.38	28.90	30.85	20.34	17.64	10.34	BLACK
30968-1189	POLARIZATION OPTION #3	18	17.38	28.90	30.85	20.34	17.64	10.34	NATURAL (CREAM)
30968-1207	POLARIZATION OPTION #1	20	12.65	31.44	33.39	20.34	17.64	10.34	GRAY
30968-1208	POLARIZATION OPTION #2	20	15.65	31.44	33.39	20.34	17.64	10.34	BLACK
30968-1209	POLARIZATION OPTION #3	20	18.65	31.44	33.39	20.34	17.64	10.34	NATURAL (CREAM)

SEE ECN# UAU2001-0258 EC NO: UAU2007-0766 DRWN:BDICK01 2008/01/23 CHKD: 2008/01/23 APPR: SMARCEAL2008/01/24	QUALITY SYMBOLS	GENERAL TOLERANCES (UNLESS SPECIFIED)	SCALE	DESIGN UNITS	THIRD ANGLE PROJECTION	REVISE ON CAD ONLY
	▽ 0 ∇ 0	mm INCH 4 PLACES ± --- ± --- 3 PLACES ± --- ± --- 2 PLACES ± 0.13 ± --- 1 PLACE ± 0.25 ± --- ANGULAR ± 1/2°	DIMENSION STYLE		SLEEVE ASSEMBLY WIRE CONNECTOR MALE	
			MM ONLY			
	DRAFT WHERE APPLICABLE MUST REMAIN WITHIN DIMENSIONS	APPROVED BY		DATE	MATERIAL NO.	DOCUMENT NO.
BWLSON		99/10/28	SEE CHART	SD-30968-120	2 OF 2	
THIS DRAWING CONTAINS INFORMATION THAT IS PROPRIETARY TO MOLEX INCORPORATED AND SHOULD NOT BE USED WITHOUT WRITTEN PERMISSION						