

PLEASE CHECK WWW.MOLEX.COM FOR LATEST PART INFORMATION

Part Number: [5016453620](#)
Status: **Active**
Overview: [igrid](#)
Description: 2.00mm (.079") Pitch iGrid™ Wire-to-Board Header, Dual Row, Vertical, with PCB Locator, 36 Circuits, Lead-free

Documents:

[3D Model](#) [Product Specification PS-501646-001 \(PDF\)](#)
[Drawing \(PDF\)](#) [RoHS Certificate of Compliance \(PDF\)](#)

General

Product Family	PCB Headers
Series	501645
Application	Wire-to-Board
Overview	igrid
Product Name	iGrid™

Physical

Breakaway	No
Circuits (Loaded)	36
Color - Resin	Natural
Durability (mating cycles max)	30
Glow-Wire Compliant	No
Keying to Mating Part	Yes
Lock to Mating Part	Yes
Material - Metal	Brass
Material - Plating Mating	Tin
Material - Plating Termination	Tin
Material - Resin	Nylon
Number of Rows	2
Orientation	Vertical
PC Tail Length (in)	0.126 In
PC Tail Length (mm)	3.20 mm
PCB Locator	Yes
PCB Retention	None
PCB Thickness Recommended (in)	0.047 In, 0.063 In
PCB Thickness Recommended (mm)	1.20 mm, 1.60 mm
Packaging Type	Tray
Pitch - Mating Interface (in)	0.079 In
Pitch - Mating Interface (mm)	2.00 mm
Polarized to Mating Part	Yes
Polarized to PCB	Yes
Stackable	No
Surface Mount Compatible (SMC)	No
Temperature Range - Operating	-25°C to +85°C
Termination Interface: Style	Through Hole

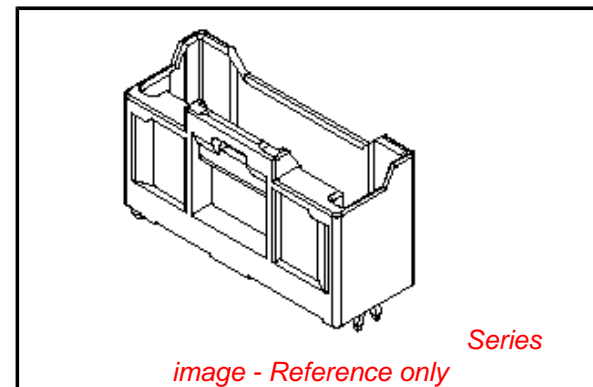
Electrical

Current - Maximum per Contact	2A
Voltage - Maximum	250V AC (RMS)/DC

Material Info

Reference - Drawing Numbers

Packaging Specification	SPK-501645-001
-------------------------	----------------



EU RoHS

ELV and RoHS Compliant
REACH SVHC
 Not Reviewed
Halogen-Free Status
 Not Reviewed

China RoHS



Need more information on product environmental compliance?

Email productcompliance@molex.com
 For a multiple part number RoHS Certificate of Compliance, [click here](#)

Please visit the [Contact Us](#) section for any non-product compliance questions.

Search Parts in this Series

[501645Series](#)

Mates With

[501646](#) Housing. [501647](#) Crimp Terminal 22-26 AWG. [501648](#) Crimp Terminal 26-28 AWG

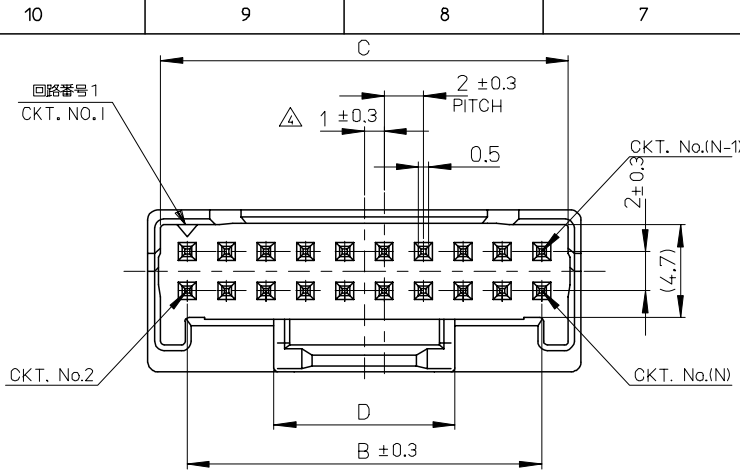
Product Specification

Sales Drawing

PS-501646-001, RPS-501646-001, RPS-501646-002,
RPS-501646-003, RPS-501646-004, RPS-501646-005,
RPS-501646-006, RPS-501646-007
SD-501645-001

This document was generated on 05/26/2010

PLEASE CHECK WWW.MOLEX.COM FOR LATEST PART INFORMATION

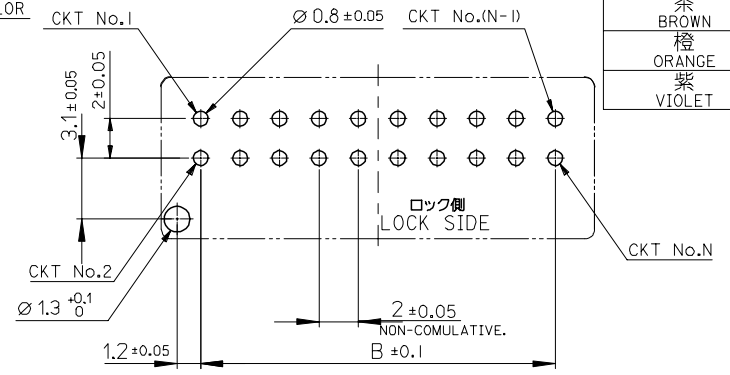
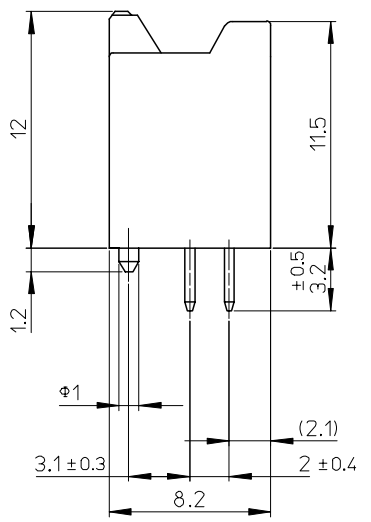
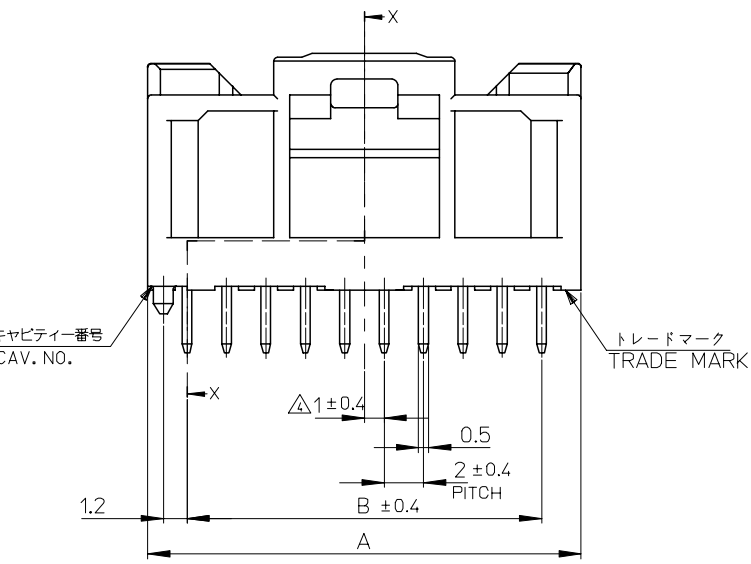


注記
NOTES

- 材料 MATERIAL
ピン : 黄銅, 銅下地鍍メッキ
PIN : BRASS, Sn OVER COPPER PLATED
ハウジング : 66+1ロン(ガラス入り), UL94V-0
HOUSING : 66NYLON (G.F.), UL94V-0
 - 嵌合相手 : 501646 シリーズ
MATE WITH : 501646 SERIES
- △ 製品番号
MATERIAL NO.
501645 - **2*
極数 CIRCUIT SIZE 色 COLOR

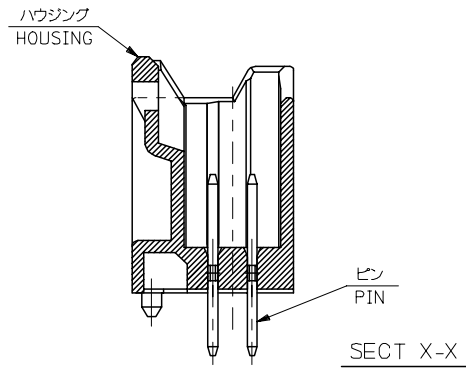
△ (全極数/2) = 偶数の場合に適用。
APPLY FOR (CIRCUIT/2)=EVEN

ナチュラル NATURAL	0
黒 BLACK	1
赤 RED	2
黄 YELLOW	3
青 BLUE	4
桃 PINK	5
緑 GREEN	6
茶 BROWN	7
橙 ORANGE	8
紫 VIOLET	9



基板取付穴推奨寸法 (マウント面)
RECOMMENDED P.C.BOARD
HOLE DIMENSION
(MOUNTING SIDE)
(t=1.2~1.6)

9.2	40.7	38	42	501645-402*	40
9.2	38.7	36	40	-382*	38
9.2	36.7	34	38	-362*	36
9.2	34.7	32	36	-342*	34
9.2	32.7	30	34	-322*	32
9.2	30.7	28	32	-302*	30
9.2	28.7	26	30	-282*	28
9.2	26.7	24	28	-262*	26
9.2	24.7	22	26	-242*	24
9.2	22.7	20	24	-222*	22
9.2	20.7	18	22	-202*	20
9.2	18.7	16	20	-182*	18
9.2	16.7	14	18	-162*	16
9.2	14.7	12	16	-142*	14
9.2	12.7	10	14	-122*	12
7.3	10.7	8	12	501645-102*	10
D	C	B	A	△ MATERIAL NO.	CTK.



REVISED EC NO: J2006-1309 DRAWN BY N. ITO CHKD: ASAKAWA APPR: S. CHIKAWA REV	GENERAL TOLERANCES (UNLESS SPECIFIED)		DIMENSION STYLE MM ONLY		SCALE 4:1	DESIGN UNITS METRIC	THIRD ANGLE PROJECTION
	10 UNDER	± 0.2	DRAWN BY	DATE	TITLE		
	10 OVER 30 UNDER	± 0.25	CHECKED BY	DATE	2.0MM W/B DUAL CONN DIP PLUG ASSY ST(WITH BOSS) -LEAD FREE-		
	30 OVER	± 0.3	APPROVED BY	DATE	MOLEX MOLEX INCORPORATED		
	ANGULAR	± 3 °	MATERIAL NO.	DATE	DOCUMENT NO.	SHEET NO.	
DRAFT WHERE APPLICABLE MUST REMAIN WITHIN DIMENSIONS		501645-**2*	05/07/04	SD-501645-001	1 OF 1		
THIS DRAWING CONTAINS INFORMATION THAT IS PROPRIETARY TO MOLEX INCORPORATED AND SHOULD NOT BE USED WITHOUT WRITTEN PERMISSION							