

PLEASE CHECK WWW.MOLEX.COM FOR LATEST PART INFORMATION

Part Number: **0521170413**
Status: **Active**
Overview: splash_proof
Description: 2.50mm (.098") Pitch Splash Proof Wire-to-Wire Receptacle Housing, 2 Circuits, Wide Body Type

Documents:

[3D Model](#) [Product Specification PS-52117-007 \(PDF\)](#)
[Drawing \(PDF\)](#) [RoHS Certificate of Compliance \(PDF\)](#)

General

Product Family Crimp Housings
 Series [52117](#)
 Overview [splash_proof](#)
 Product Name Splash Proof

Physical

Circuits (maximum) 2
 Color - Resin Black
 Gender Receptacle
 Glow-Wire Compliant No
 Lock to Mating Part Yes
 Material - Resin Polyester
 Number of Rows 1
 Packaging Type Tray
 Panel Mount No
 Pitch - Mating Interface (in) 0.098 In
 Pitch - Mating Interface (mm) 2.50 mm
 Stackable No
 Temperature Range - Operating -40°C to +105°C

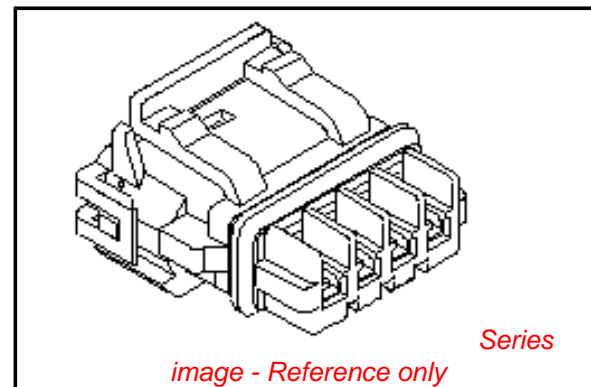
Electrical

Current - Maximum per Contact 3A

Material Info

Reference - Drawing Numbers

Packaging Specification SPK-52117-001
 Product Specification PS-52117-007
 Sales Drawing SD-52117-041*



EU RoHS

**ELV and RoHS
Compliant**
REACH SVHC
 Not Reviewed
**Halogen-Free
Status**

China RoHS



**Need more information on product
environmental compliance?**

Email productcompliance@molex.com
 For a multiple part number RoHS Certificate of Compliance, [click here](#)

Please visit the [Contact Us](#) section for any non-product compliance questions.

Search Parts in this Series

52117Series

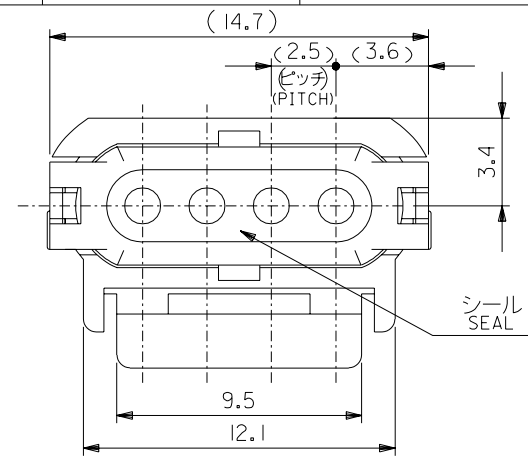
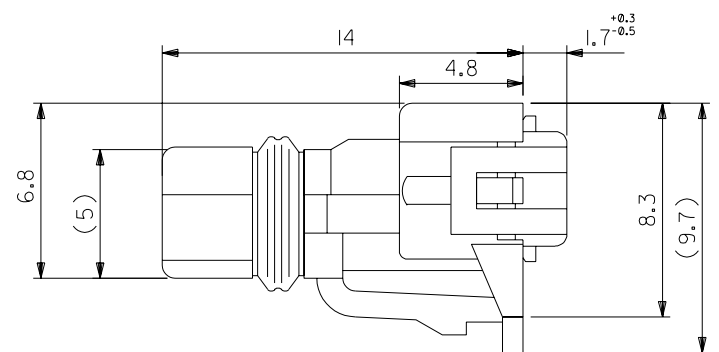
Mates With

52116

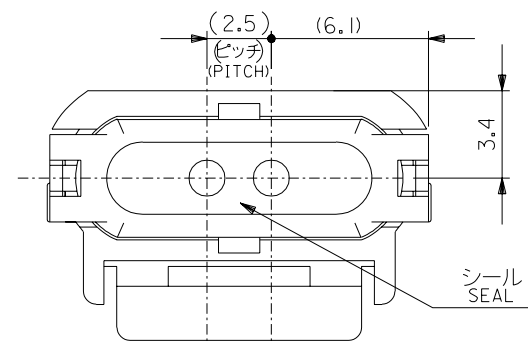
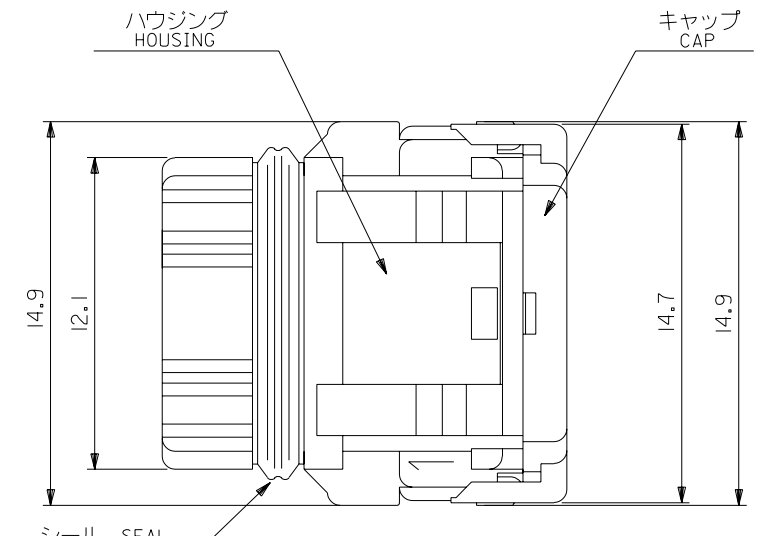
Use With

50039

DWG. NO. SD-52117-041*



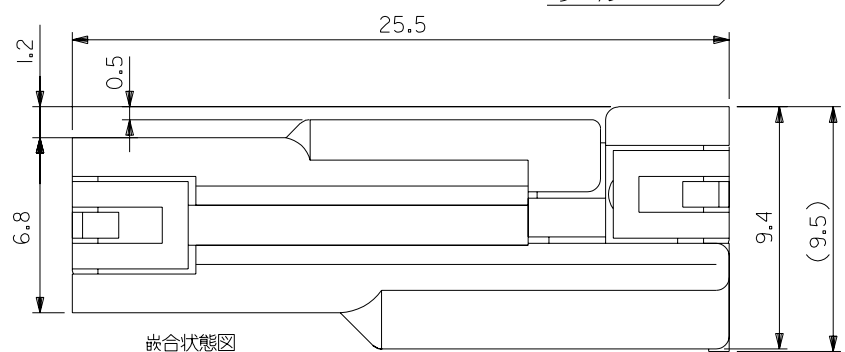
52117-0410, 52117-0411, 52117-0412



52117-0413

注記 NOTES

- 適合ターミナル: 50039-8*00
APPLICABLE TERMINAL: 50039-8*00
- 材料:
MATERIAL:
キャップ: ポリエステル (ガラス15%含有)
CAP: POLYESTER (15%G.F.)
ハウジング: ポリエステル (ガラス15%含有)
HOUSING: POLYESTER (15%G.F.)
シール: シリコンゴム
SEAL: SILICONE
- 適合相手: 52116-041*
MATES WITH: 52116-041*



嵌合状態図 FULLY MATED CONDITION

AVS0.3, AWG#20-22	黒	BLACK	52117-0413
AVS0.3, AWG#20-22	赤	RED	52117-0412
AVS0.3, AWG#20-22	黒	BLACK	52117-0411
AVS0.3, AWG#20-22	白	WHITE	52117-0410
適用電線範囲 WIRE RANGE	ハウジングの色 HS'G COLOR		製品番号 ENG. NO.

角度 ANGLE	+3°	C	変更 (J2003-1723) REVISED	A.I	02/12/24	材料 MATERIAL	注記参照 SEE NOTES
30以上 OVER	+0.3	B	変更 (J45032) REVISED	Y.H.Y	94/4/12	仕上げ FINISH	//
10以上 OVER	+0.25	A	変更 (J90218)	Y.A.M.S	3/17/88	適用電線範囲 WIRE RANGE	表参照 SEE CHART
10未満 UNDER	+0.2	0	新規作図 (J80600)	Y.A	7/12/88	被覆外径 INS. RANGE	φ 1.8-1.9
一般公差 GENERAL TOLERANCES		記号 LTR	変更内容 REVISION RECORD	DR. CHK.	日付 DATE	DRAWN BY '7/12/88 Y.ASHIZAWA	CHK'D BY '94/4/12 M.SAKANO
						APP'D BY '94/4/12 M.ENOMOTO	尺度 SCALE 5-1

molex MOLEX-JAPAN CO.,LTD. 日本モレックス株式会社	
REVISE ONLY ON CAD SYSTEM	
TITLE 名称 2.5 SPLASH PROOF CONN.REC. HS'G ASS'Y W/POSITIVE LOCK	
DWG. NO. SD-52117-041*	REV C