

PLEASE CHECK WWW.MOLEX.COM FOR LATEST PART INFORMATION

Part Number: [0554511470](#)
Status: **Active**
Description: 1.25mm (.049") Pitch Mi II™ System Wire-to-Board Header, Dual Row, Vertical, Lead-free, 14 Circuits

Documents:

[3D Model](#) [Product Specification PS-54596-019 \(PDF\)](#)
[Drawing \(PDF\)](#) [RoHS Certificate of Compliance \(PDF\)](#)

General

| | |
|----------------|-----------------------|
| Product Family | PCB Headers |
| Series | 55451 |
| Application | Wire-to-Board |
| Product Name | Mini Mi II™ |

Physical

| | |
|--------------------------------|-----------------|
| Breakaway | No |
| Circuits (Loaded) | 14 |
| Color - Resin | Natural |
| Durability (mating cycles max) | 30 |
| First Mate / Last Break | No |
| Glow-Wire Compliant | No |
| Guide to Mating Part | No |
| Keying to Mating Part | Yes |
| Lock to Mating Part | Yes |
| Material - Plating Mating | Tin |
| Material - Plating Termination | Tin |
| Material - Resin | Nylon |
| Number of Rows | 2 |
| Orientation | Vertical |
| PC Tail Length (in) | 0.118 In |
| PC Tail Length (mm) | 3.00 mm |
| PCB Locator | Yes |
| PCB Retention | Yes |
| PCB Thickness Recommended (in) | 0.062 In |
| PCB Thickness Recommended (mm) | 1.60 mm |
| Packaging Type | Tray |
| Pitch - Mating Interface (in) | 0.049 In |
| Pitch - Mating Interface (mm) | 1.25 mm |
| Shrouded | Fully |
| Stackable | No |
| Surface Mount Compatible (SMC) | No |
| Temperature Range - Operating | -40°C to +105°C |
| Termination Interface: Style | Through Hole |

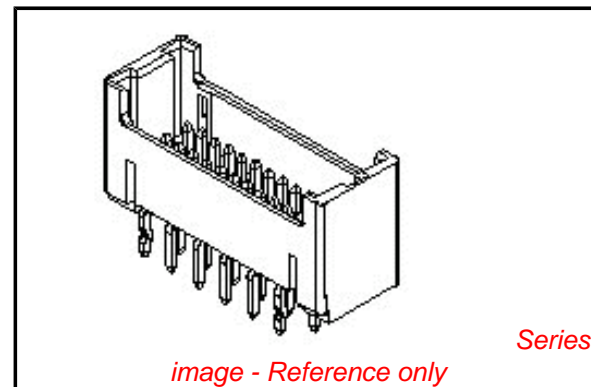
Electrical

| | |
|-------------------------------|------|
| Current - Maximum per Contact | 1.5A |
| Voltage - Maximum | 100V |

Material Info

Reference - Drawing Numbers

| | |
|-----------------------|--------------|
| Product Specification | PS-54596-019 |
| Sales Drawing | SD-55451-006 |



EU RoHS

ELV and RoHS Compliant
REACH SVHC Contains SVHC: No
Halogen-Free Status

China RoHS



Need more information on product environmental compliance?

Email productcompliance@molex.com
 For a multiple part number RoHS Certificate of Compliance, [click here](#)

Please visit the [Contact Us](#) section for any non-product compliance questions.

Search Parts in this Series

[55451Series](#)

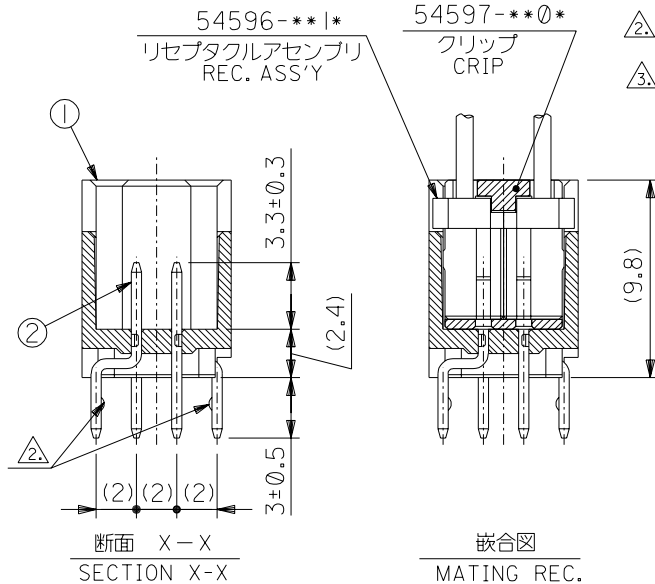
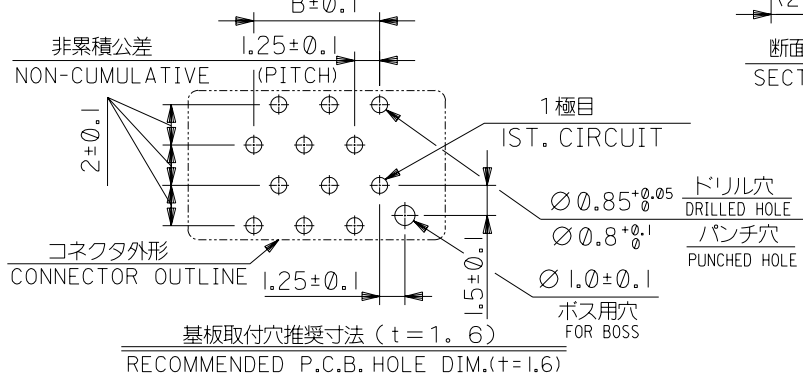
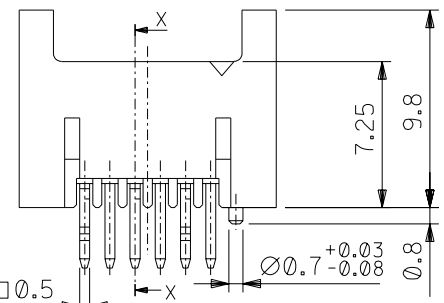
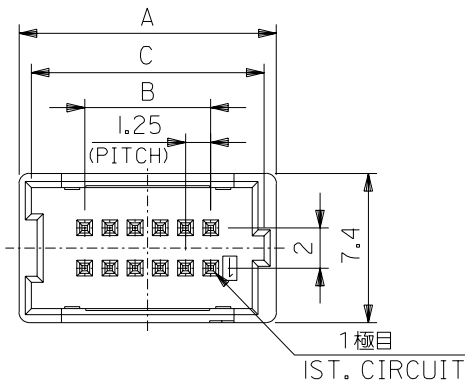
Mates With

[54596 IDT Receptacle Housing](#)

This document was generated on 04/16/2010

PLEASE CHECK WWW.MOLEX.COM FOR LATEST PART INFORMATION

DWG. NO. SD-55451-006



無鉛 LEAD FREE

| 番号 NO. | 名称 NAME | 原料 MATERIAL | 数量 QTY | 仕上げ FINISH |
|--------|------------|-------------|--------|-------------------|
| ① | ウエハー WEFAR | ナイロン NYLON | 1 | UL94V-0 |
| ② | ピン PIN | 黄銅 BRASS | N | 全体錫メッキ PRE-TINNED |

注)NOTES

- 1. 原料および仕上げ: 表参照 MATERIAL AND FINISH: SEE CHART
- 2. キングは、両サイド4ピンに適用。(4極品までは、全極に適用) TO BE APPLICABLE 4 PIN OF BOTH SIDE.
- 3. 製品番号 MATERIAL NO. 55451-***7*

極数 CIRCUIT SIZE (10 ~ 40)
メッキ仕様: 無鉛 PLATING: LEAD FREE
色 COLOR 0: 自然色 NATURAL

| 29.05 | 23.75 | 30.25 | 40 | 55451-407* |
|-------|-------|-------|-----------------|-------------------|
| 27.8 | 22.5 | 29 | 38 | -387* |
| 26.55 | 21.25 | 27.75 | 36 | -367* |
| 25.3 | 20 | 26.5 | 34 | -347* |
| 24.05 | 18.75 | 25.25 | 32 | -327* |
| 22.8 | 17.5 | 24 | 30 | -307* |
| 21.55 | 16.25 | 22.75 | 28 | -287* |
| 20.3 | 15 | 21.5 | 26 | -267* |
| 19.05 | 13.75 | 20.25 | 24 | -247* |
| 17.8 | 12.5 | 19 | 22 | -227* |
| 16.55 | 11.25 | 17.75 | 20 | -207* |
| 15.3 | 10 | 16.5 | 18 | -187* |
| 14.05 | 8.75 | 15.25 | 16 | -167* |
| 12.8 | 7.5 | 14 | 14 | -147* |
| 11.55 | 6.25 | 12.75 | 12 | -127* |
| 10.3 | 5 | 11.5 | 10 | 55451-107* |
| C | B | A | 極数 CIRCUIT SIZE | 製品番号 MATERIAL NO. |

MODEL NO. 55451-***7*

DO NOT SCALE DRAWING

| EC NO. | DRWN: | CHK: | APPR: | EC NO. | DRWN: | CHK: | APPR: | EC NO. | DRWN: | CHK: | APPR: | EC NO. | DRWN: | CHK: | APPR: | EC NO. | DRWN: | CHK: | APPR: | DESCRIPTION | MATERIAL 材料 | FINISH 仕上げ | WIRE RANGE 適用線径範囲 | INS. RANGE 被覆外径 | GENERAL TOLERANCES: (UNLESS SPECIFIED) 一般公差 | SCALE 4-1 | DESIGN UNITS | THIRD ANGLE PROJECTION | TITLE: | MOLEX MOLEX INCORPORATED | CAD FILENAME | MATERIAL NO. | DRAWING NO. | SHEET NO. | SIZE |
|--------|-------|------|-------|--------|-------|------|-------|--------|-------|------|-------|--------|-------|------|-------|--------|-------|------|-------|-------------|---------------------------|------------|-------------------|---------------------------|---|-----------|--------------|------------------------|----------------------------------|--------------------------|--------------|--------------|-------------|-----------|------|
| | | | | | | | | | | | | | | | | | | | | | SEE CHART | SEE CHART | | | 10 UNDER 未満 ±0.2 | 4-1 | mm | THIRD ANGLE PROJECTION | Mini MiII 2-ROW WAFER ASS'Y (Sn) | 55451006.S01 | SEE CHART | SD-55451-006 | 1 OF 1 | B | |
| | | | | | | | | | | | | | | | | | | | | | RELEASED | | | 10 OVER 30 UNDER 未満 ±0.25 | | mm | | | | | | | | | |
| | | | | | | | | | | | | | | | | | | | | | NEW PRODUCT | | | 30 OVER 以上 ±0.3 | | mm | | | | | | | | | |
| | | | | | | | | | | | | | | | | | | | | | 新規格作成 | | | ANGLE 角度 ±3° | | mm | | | | | | | | | |
| | | | | | | | | | | | | | | | | | | | | | EC NO. J2003-2786 | | | | | | | | | | | | | | |
| | | | | | | | | | | | | | | | | | | | | | DRWN: N. YOSHIDA 03/05/01 | | | | | | | | | | | | | | |
| | | | | | | | | | | | | | | | | | | | | | CHK: M. YAGI | | | | | | | | | | | | | | |
| | | | | | | | | | | | | | | | | | | | | | APPR: YO. ITO | | | | | | | | | | | | | | |