

TITLE
TRANSFORMER, ADSL,
CUSTOMER PREMISES

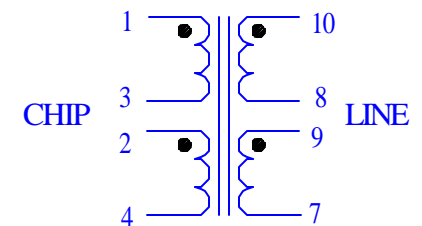
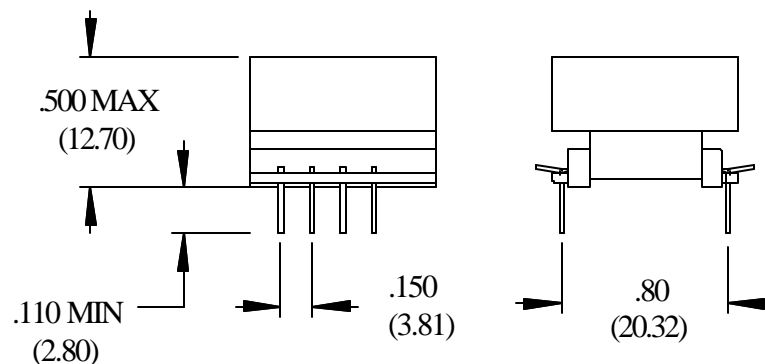
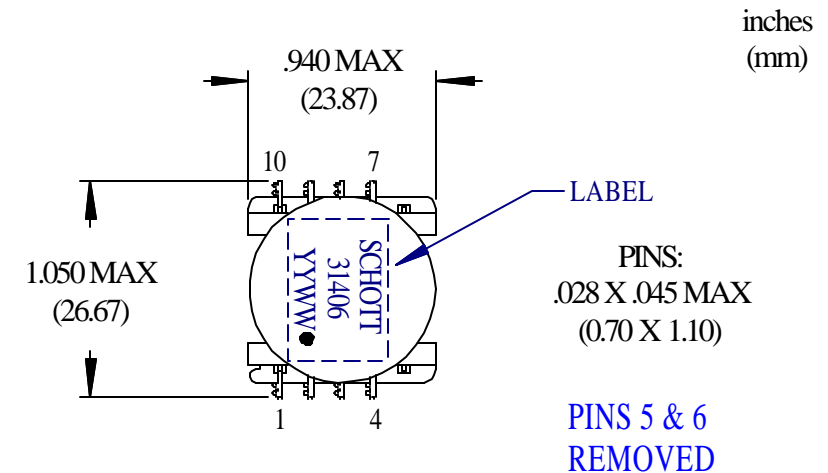
SCHOTT
 CORPORATION
 1000 PARKERS LAKE ROAD
 WAYZATA, MN 55391

PART NUMBER **31406**
 REV 2 PAGE 1 END

SPECIFICATIONS

TEMP CLASS 105°C
 Designed to meet UL1950/IEC-950 requirements.

1. INDUCTANCE: @ 0.1 Vrms, 10 KHz,
 1-3-2-4 = 366.3 TO 447.7 μH
2. LEAKAGE INDUCTANCE: @ 0.1 Vrms, 100 KHz
 1-3-2-4 W/ 10-8-9-7 SHORTED = 15 μH MAX
3. IWC: 1-3-2-4 TO 10-8-9-7 @ 100 KHz = 25 pF MAX
4. TURNS RATIO: 1-3 : 2-4 : 10-8 : 9-7 = 1 : 1 : 1 : 1 ± 2%
5. DC RESISTANCE: OHMS MAX
 1-3, 2-4 = 0.80
 10-8, 9-7 = 0.80
6. LONGITUDINAL BALANCE: 9-7-8-10
 @ 100 KHz, 1 = - 60 dB MIN
7. DIELECTRIC STRENGTH: 1500 Vac, 1 minute
 (1800 Vac, 1 second Schott production test)
 1-2-3-4 TO 7-8-9-10
 ALL WINDINGS TO CORE
8. HARMONIC DISTORTION:
 @ 100 KHz, 15Vp-p, 100 OHMS = -80 dB MIN



TOLERANCES	2 PLACE	3 PLACE	ANGLE
UNLESS OTHERWISE NOTED	+ .02	+ .005	+ °