

PLEASE CHECK WWW.MOLEX.COM FOR LATEST PART INFORMATION

Part Number: [0740592502](#)
Status: **Active**
Overview: [vhdm](#)
Description: 2.00mm (.079") Pitch VHDM® Board-to-Board Backplane Header, Vertical, 6-Row, Guide Pin Signal Module, Shield End Version, 150 Circuits, Pin Length 6.25mm (.246")

Documents:

[3D Model](#) [RoHS Certificate of Compliance \(PDF\)](#)
[Drawing \(PDF\)](#)

General

Product Family	Backplane Connectors
Series	74059
Application	Backplane
Application Tooling Documents	http://www.molex.com/pdm_docs/ats/TM-622010999.pdf >Tooling Manual
Comments	No Keying Position
Component Type	PCB Header
Overview	vhdm
Product Name	VHDM®
Style	N/A

Physical

Circuits (Loaded)	150
Circuits (maximum)	150
Color - Resin	Black
Durability (mating cycles max)	200
First Mate / Last Break	No
Guide to Mating Part	Yes
Keying to Mating Part	None
Material - Metal	Beryllium Copper, High Performance Alloy (HPA), Stainless Steel
Material - Plating Mating	Gold
Material - Plating Termination	Tin-Lead
Material - Resin	High Temperature Thermoplastic
Number of Columns	N/A
Number of Pairs	Open Pin Field
Number of Rows	6
Orientation	Vertical
PC Tail Length (in)	0.098 In
PC Tail Length (mm)	2.50 mm
PCB Locator	No
PCB Retention	None
PCB Thickness Recommended (in)	0.070 In
PCB Thickness Recommended (mm)	1.80 mm
Packaging Type	Tube
Pitch - Mating Interface (in)	0.079 In
Pitch - Mating Interface (mm)	2.00 mm
Pitch - Term. Interface (in)	0.039 In
Pitch - Term. Interface (mm)	2.00 mm
Plating min: Mating (µin)	30
Plating min: Mating (µm)	0.75
Plating min: Termination (µin)	30
Plating min: Termination (µm)	0.75
Polarized to PCB	Yes
Stackable	No

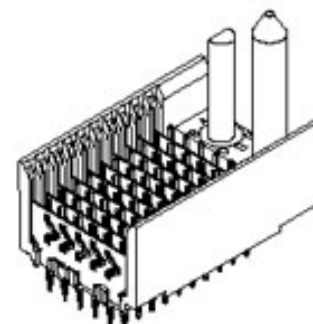


image - Reference only

Series

EU RoHS

RoHS Compliant by Exemption
REACH SVHC
Contains SVHC: No
Halogen-Free
Status
Halogen-Free

China RoHS



Need more information on product environmental compliance?

Email productcompliance@molex.com
 For a multiple part number RoHS Certificate of Compliance, [click here](#)

Please visit the [Contact Us](#) section for any non-product compliance questions.

Search Parts in this Series

[74059Series](#)

Mates With

[74030 VHDM® Board-to-Board Daughtercard Receptacle](#)

Application Tooling | FAQ

Tooling specifications and manuals are found by selecting the products below. Crimp Height Specifications are then contained in the Application Tooling Specification document.

Global

Description	Product #
Flat Rock Tooling for Pneumatic Press	0622013700
VHDM® Signal Pin	0622015700
Insertor Repair Tool	
VHDM® 6 Row Pin and Shield Repair Tool	0622015800

Surface Mount Compatible (SMC) Yes
Temperature Range - Operating -55°C to +105°C
Termination Interface: Style Through Hole - Compliant Pin

Electrical

Current - Maximum per Contact 1A
Data Rate 3.125 Gbps
Real Signals (per 25mm) 72
Shield Type Ground Plane Shield
Shielded Yes
Voltage - Maximum 120V AC (RMS)/DC

Material Info

Reference - Drawing Numbers

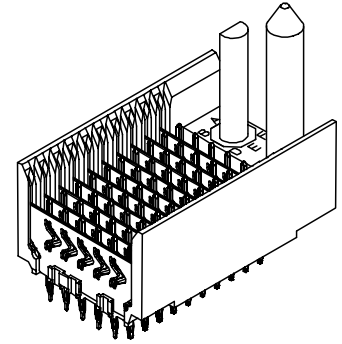
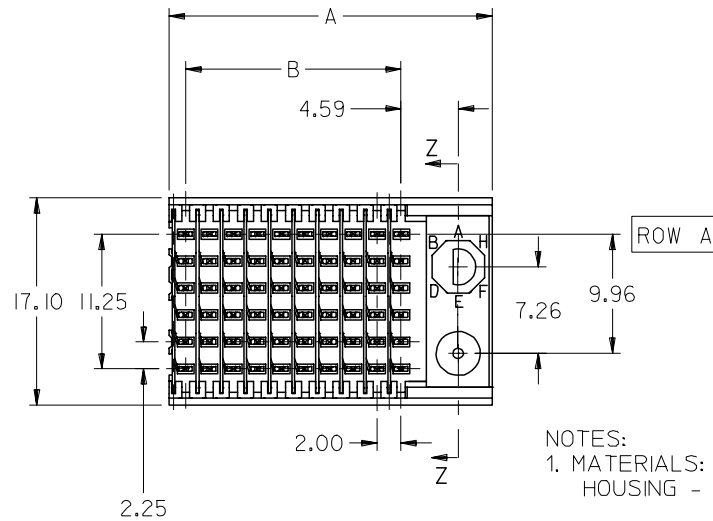
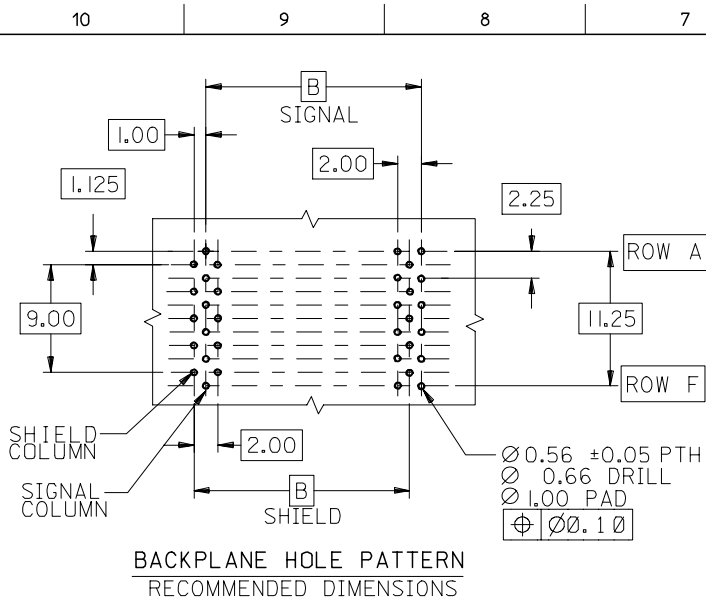
Sales Drawing SD-74059-002

VHDM and Very High Density Metric are trademarks of Amphenol Corporation

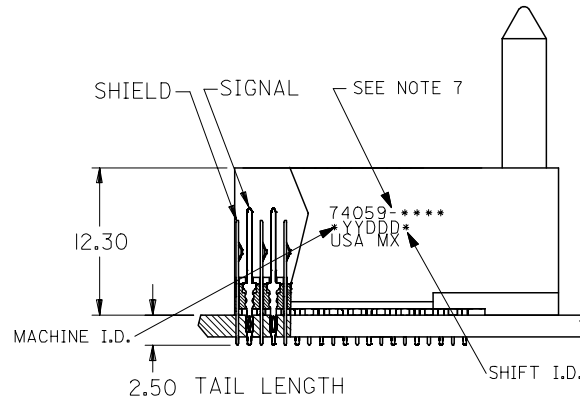
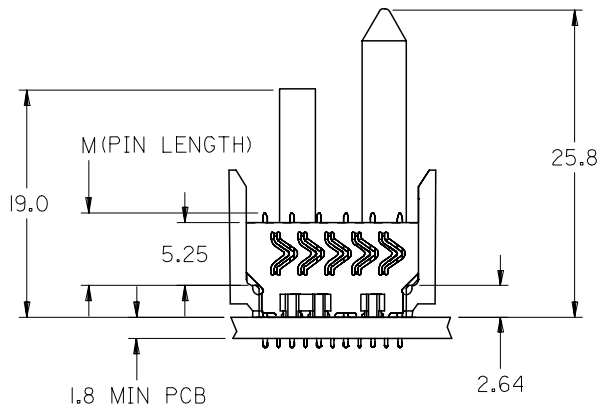
VHDM® 6 Row Shield Extraction Tool [0622016000](#)
VHDM® Insertion Module for Advanced Mate Signal Header, 6 Row by 25 Wide, 50.00mm (1.97") [0622020204](#)
VHDM® Insertion Module for Standard Shield Signal Header, 6 Row by 25 Wide, 50.00mm (1.97") [0622020208](#)

This document was generated on 05/19/2010

PLEASE CHECK WWW.MOLEX.COM FOR LATEST PART INFORMATION



- NOTES:
- MATERIALS:
HOUSING - LIQUID CRYSTAL POLYMER (LCP),
GLASS-FILLED, UL 94V-0, COLOR: BLACK
SIGNAL PIN & SHIELD - COPPER ALLOY
 - FINISHES:
CONTACT AREA: SELECTIVE GOLD (Au)
PCB TAILS: SELECTIVE TIN/LEAD (Sn/Pb)
OR SELECTIVE MATTE TIN (Sn)
NICKEL (Ni) OVERALL.
 - THIS PART CONFORMS TO MOLEX PRODUCT SPECIFICATION PS-74031-999
 - FOR MIXED CONTACT LENGTHS CONSULT MOLEX FOR AVAILABILITY
 - FOR SPECIFIC MATERIAL NUMBERS & MATING INFORMATION REFER TO SHEET 2 AND 3
 - PACKAGE PER PK-74058-003
 - EITHER MARK PART WITH PART NUMBER & DATE CODE APPROXIMATELY WHERE SHOWN OR PLACE LABEL ON THE TUBE.



ADDED TOLERANCE EC NO: UCP2006-2669 DRW: JONIAK 2006/06/02 CHKD: JONIAK 2006/06/02 APPR: CBIXLER 2006/06/09	QUALITY SYMBOLS ▽=0 ▽=0	GENERAL TOLERANCES (UNLESS SPECIFIED)		DIMENSION STYLE	SCALE	DESIGN UNITS	THIRD ANGLE PROJECTION	
		mm	INCH	MM ONLY	2.5:1	METRIC		
		4 PLACES ± ---	± ---	DRAWN BY	DATE	TITLE		
		3 PLACES ± ---	± ---	MWANG	1998/11/09	VHDM 6 ROW SHIELD END BACKPLANE SALES DRAWING		
		2 PLACES ± 0.15	± ---	CHECKED BY	DATE	MOLEX INCORPORATED		
		1 PLACE ± 0.25	± ---	JLAURX	1998/11/09			
		ANGULAR ±1/2°		APPROVED BY	DATE			
		DRAFT WHERE APPLICABLE MUST REMAIN WITHIN DIMENSIONS		CBIXLER	1998/11/19			
		MATERIAL NO.	DOCUMENT NO.	SEE SHEET 2		SD-74059-002		
		SIZE	THIS DRAWING CONTAINS INFORMATION THAT IS PROPRIETARY TO MOLEX INCORPORATED AND SHOULD NOT BE USED WITHOUT WRITTEN PERMISSION					SHEET NO. 1 OF 3

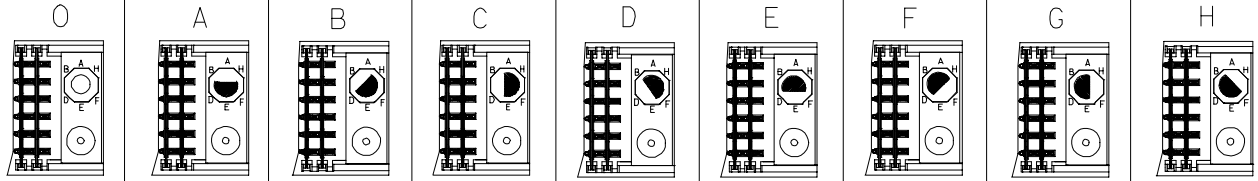
10 9 8 7 6 5 4 3 2 1

M/N
74059-()

---0* ---1* ---2* ---3* ---4* ---5* ---6* ---7* ---8*

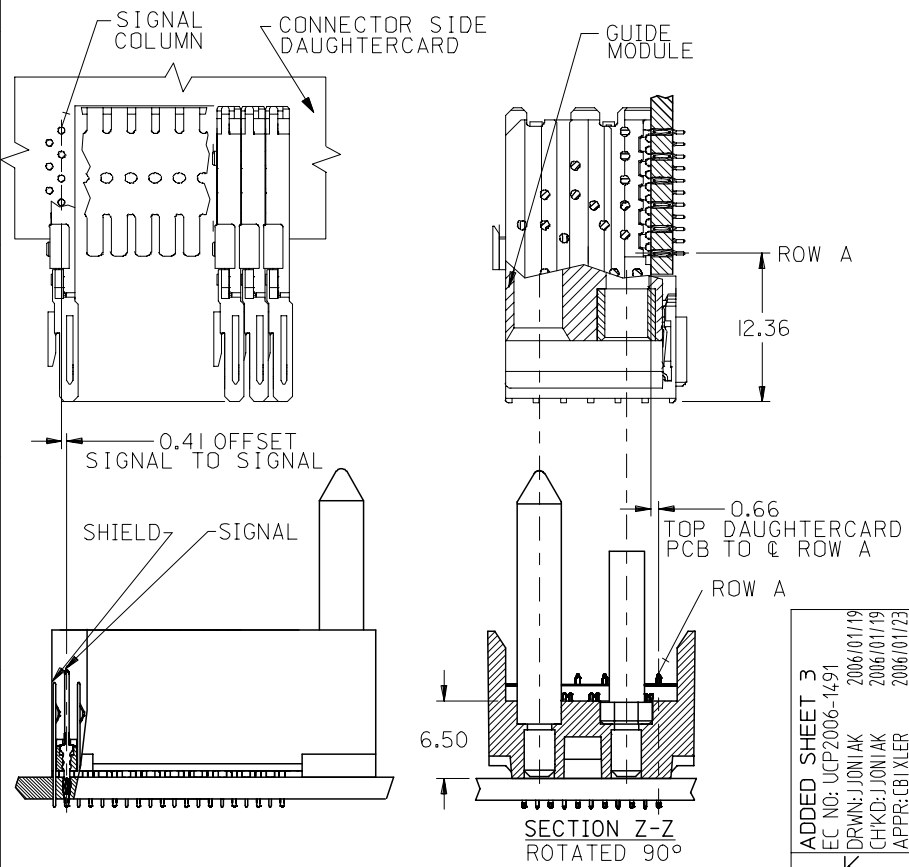
74059- * * * *

KEYING PIN ORIENTATION



NUMBER OF COLUMNS/PLATING
 10 = 10 COLUMN TIN/LEAD
 21 = 11 COLUMN TIN/LEAD*
 25 = 25 COLUMN TIN/LEAD
 90 = 10 COLUMN MATTE TIN
 85 = 25 COLUMN MATTE TIN
 81 = 11 COLUMN MATTE TIN*
 CONTACT LOAD (PIN LENGTH)
 1 & 6 = 4.75
 2 & 7 = 6.25
 3 & 8 = 4.25
 4 & 9 = 5.15

* - SEE SHEET 3 FOR 11 COLUMN P/N'S



PART NUMBER	COLUMN	NUMBER OF SIGNAL PIN	NUMBER OF SHIELD	A	B	M	Au (um) THICKNESS	Sn (um) THICKNESS
74059-#0*1	10	60	10	27.00	18.00	4.75	0.76	0.76-1.52
74059-#0*6							1.27	
74059-#5*1	25	150	25	57.00	48.00	6.25	0.76	
74059-#5*6							1.27	
74059-#0*2	10	60	10	27.00	18.00	4.25	0.76	
74059-#0*7							1.27	
74059-#5*2	25	150	25	57.00	48.00	5.15	0.76	
74059-#5*7							1.27	
74059-#0*3	10	60	10	27.00	18.00	4.75	0.76	
74059-#0*8							1.27	
74059-#5*3	25	150	25	57.00	48.00	6.25	0.76	
74059-#5*8							1.27	
74059-#0*4	10	60	10	27.00	18.00	5.15	0.76	
74059-#0*9							1.27	
74059-#5*4	25	150	25	57.00	48.00	4.75	0.76	
74059-#5*9							1.27	

ADDED SHEET 3
 EC NO: UCP2006-1491
 DRWN: JONIAK 2006/01/19
 CHKD: JONIAK 2006/01/19
 APPR: CBIXLER 2006/01/23

QUALITY SYMBOLS
 ▽=0
 ▽=0

GENERAL TOLERANCES (UNLESS SPECIFIED)

	mm	INCH
4 PLACES	± .005	± .0002
3 PLACES	± .005	± .0002
2 PLACES	± .005	± .0002
1 PLACE	± .005	± .0002

 ANGULAR ±1/2°
 DRAFT WHERE APPLICABLE
 MUST REMAIN WITHIN DIMENSIONS

DIMENSION STYLE
 MM ONLY
 DRAWN BY: MWANG
 DATE: 1998/11/09
 CHECKED BY: JLAURX
 DATE: 1998/11/09
 APPROVED BY: CBIXLER
 DATE: 1998/11/09
 MATERIAL NO.
 SEE CHART

SCALE: 2.5:1
 DESIGN UNITS: METRIC
 THIRD ANGLE PROJECTION
 TITLE: VHDM 6 ROW SHIELD END BACKPLANE SALES DRAWING
 MOLEX INCORPORATED
 DOCUMENT NO: SD-74059-002
 SHEET NO: 2 OF 3
 THIS DRAWING CONTAINS INFORMATION THAT IS PROPRIETARY TO MOLEX INCORPORATED AND SHOULD NOT BE USED WITHOUT WRITTEN PERMISSION

9 8 7 6 5 4 3 2 1