

**PLEASE CHECK WWW.MOLEX.COM FOR LATEST PART INFORMATION**

**Part Number:** [0740611011](#)  
**Status:** **Active**  
**Overview:** [vhdm](#)  
**Description:** 2.00mm (.079") Pitch VHDM® Board-to-Board Backplane Header, Vertical, 8-Row, Guide Pin Signal Module, Pin End Version, 80 Circuits, Pin Length 4.75mm (.187")

**Documents:**

[3D Model](#) [RoHS Certificate of Compliance \(PDF\)](#)  
[Drawing \(PDF\)](#)

**General**

Product Family	Backplane Connectors
Series	<a href="#">74061</a>
Application	Backplane
Application Tooling Documents	<a href="http://www.molex.com/pdm_docs/ats/TM-622010999.pdf">http://www.molex.com/pdm_docs/ats/TM-622010999.pdf</a> >Tooling Manual</a>
Comments	Keying Position A
Component Type	PCB Header
Overview	<a href="#">vhdm</a>
Product Name	VHDM®
Style	N/A

**Physical**

Circuits (Loaded)	80
Circuits (maximum)	80
Color - Resin	Black
Durability (mating cycles max)	200
First Mate / Last Break	No
Guide to Mating Part	Yes
Keying to Mating Part	Yes
Material - Metal	Beryllium Copper, High Performance Alloy (HPA), Stainless Steel
Material - Plating Mating	Gold
Material - Plating Termination	Tin-Lead
Material - Resin	High Temperature Thermoplastic
Number of Columns	N/A
Number of Pairs	Open Pin Field
Number of Rows	8
Orientation	Vertical
PC Tail Length (in)	0.098 In
PC Tail Length (mm)	2.50 mm
PCB Locator	No
PCB Retention	None
PCB Thickness Recommended (in)	0.070 In
PCB Thickness Recommended (mm)	1.80 mm
Packaging Type	Tube
Pitch - Mating Interface (in)	0.079 In
Pitch - Mating Interface (mm)	2.00 mm
Pitch - Term. Interface (in)	0.079 In
Pitch - Term. Interface (mm)	2.00 mm
Plating min: Mating (µin)	30
Plating min: Mating (µm)	0.75
Plating min: Termination (µin)	30
Plating min: Termination (µm)	0.75
Polarized to PCB	Yes
Stackable	No

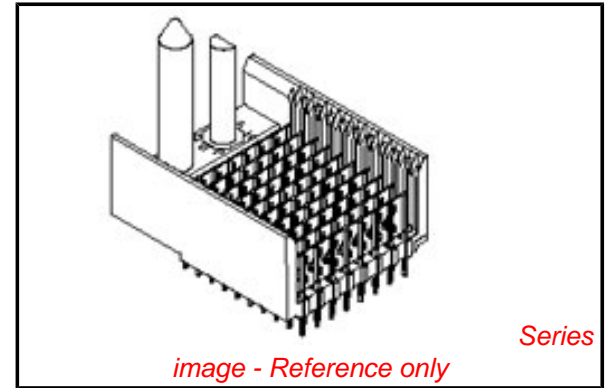


image - Reference only

**EU RoHS**

**RoHS Compliant by Exemption**

**REACH SVHC**

**Contains SVHC: No**

**Halogen-Free**

**Status**

**Halogen-Free**

**China RoHS**



Pb

**Need more information on product environmental compliance?**

Email [productcompliance@molex.com](mailto:productcompliance@molex.com)  
 For a multiple part number RoHS Certificate of Compliance, [click here](#)

Please visit the [Contact Us](#) section for any non-product compliance questions.

**Search Parts in this Series**

[74061Series](#)

**Mates With**

[74040 VHDM® Board-to-Board Daughtercard Receptacle](#)

**Application Tooling | FAQ**

*Tooling specifications and manuals are found by selecting the products below. Crimp Height Specifications are then contained in the Application Tooling Specification document.*

**Global**

Description	Product #
VHDM® Signal Pin Inserter Repair Tool	<a href="#">0622015700</a>
VHDM® 8 Row and Shield Repair Tool	<a href="#">0622015900</a>
VHDM® 8 Row Shield Extraction Tool	<a href="#">0622016100</a>

Surface Mount Compatible (SMC) Yes  
Temperature Range - Operating 105°C max  
Termination Interface: Style Through Hole - Compliant Pin

### Electrical

Current - Maximum per Contact 1A  
Data Rate 3.125 Gbps  
Real Signals (per 25mm) 100  
Shield Type Ground Plane Shield  
Shielded Yes  
Voltage - Maximum 120V AC (RMS)/DC

### Material Info

### Reference - Drawing Numbers

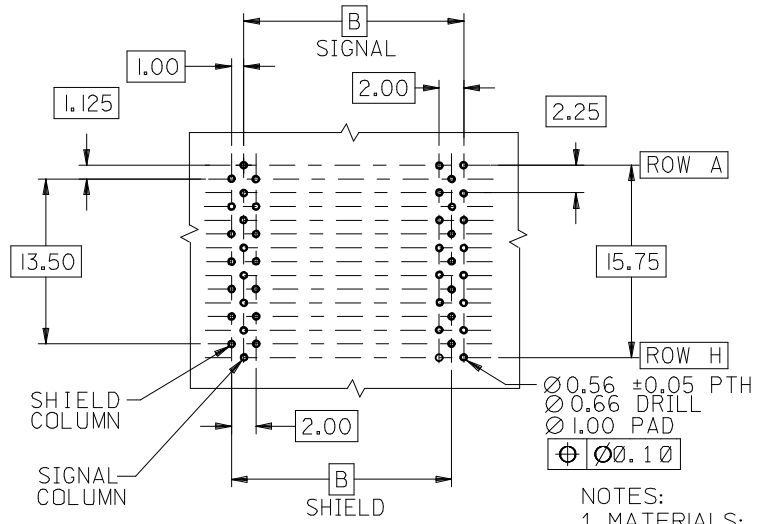
Sales Drawing SD-74061-002

VHDM and Very High Density Metric are trademarks of Amphenol Corporation

VHDM® Insertion [0622020205](#)  
Module for Advanced  
Mate Signal Header,  
8 Row by 10 Wide,  
20.00mm (.787")  
VHDM® Insertion [0622020209](#)  
Module for Standard  
Shield Signal  
Header, 8 Row by  
10 Wide, 20.00mm  
(.787")  
Flat Rock Tooling for [0622013700](#)  
Pneumatic Press

This document was generated on 06/01/2010

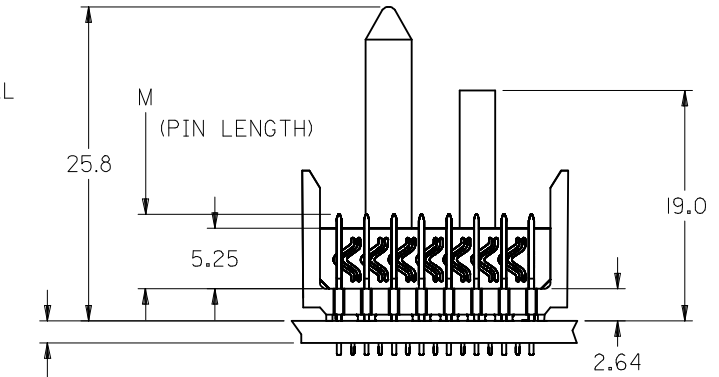
**PLEASE CHECK [WWW.MOLEX.COM](http://WWW.MOLEX.COM) FOR LATEST PART INFORMATION**



**BACKPLANE HOLE PATTERN**  
RECOMMENDED DIMENSION

- NOTES:
- MATERIALS:  
HOUSING - LIQUID CRYSTAL POLYMER (LCP),  
GLASS-FILLED, UL 94V-0, COLOR: BLACK  
SIGNAL PIN & SHIELD - COPPER ALLOY
  - FINISHES:  
CONTACT AREA: SELECTIVE GOLD (Au)  
PCB TAILS: SELECTIVE TIN/LEAD (Sn/Pb)  
OR SELECTIVE MATTE TIN (Sn)  
NICKEL (Ni) OVERALL.
  - THIS PART CONFORMS TO MOLEX PRODUCT SPECIFICATION PS-74031-999
  - FOR MIXED CONTACT LENGTHS CONSULT MOLEX FOR AVAILABILITY
  - FOR SPECIFIC MATERIAL NUMBERS & MATING INFORMATION REFER TO SHEET 2
  - PACKAGE PER PK-74061-003
  - EITHER MARK PART WITH PART NUMBER & DATE CODE APPROXIMATELY WHERE SHOWN OR PLACE LABEL ON THE TUBE.

0.26 MAX OVERALL PROTRUSION



1.8 MIN PCB

CORRECTED DIMS EC NO: UCP2008-0329 DRWN: J JONIAK 2007/08/28 CHKD: J JONIAK 2007/08/28 APPR: C BIXLER 2007/08/28	DESCRIPTION REV	QUALITY SYMBOLS	GENERAL TOLERANCES (UNLESS SPECIFIED)	DIMENSION STYLE	SCALE	DESIGN UNITS	THIRD ANGLE PROJECTION
		$\nabla=0$ $\nabla=7$	mm    INCH 4 PLACES ± --- ± --- 3 PLACES ± --- ± --- 2 PLACES ± --- ± --- 1 PLACE ± --- ± --- ANGULAR ±1/2°	MM ONLY	2.5:1	METRIC	
		DRAFT WHERE APPLICABLE MUST REMAIN WITHIN DIMENSIONS	DRAWN BY    DATE MWANG    1998/11/09 CHECKED BY    DATE JLAURX    1998/11/09 APPROVED BY    DATE C BIXLER    1998/11/09	TITLE	VHDM 8 ROW SIGNAL END BACKPLANE SALES ASSEMBLY		
		MATERIAL NO. SEE SHEET 2	DOCUMENT NO. SD-74061-002	SHEET NO. 1 OF 3			

THIS DRAWING CONTAINS INFORMATION THAT IS PROPRIETARY TO MOLEX INCORPORATED AND SHOULD NOT BE USED WITHOUT WRITTEN PERMISSION

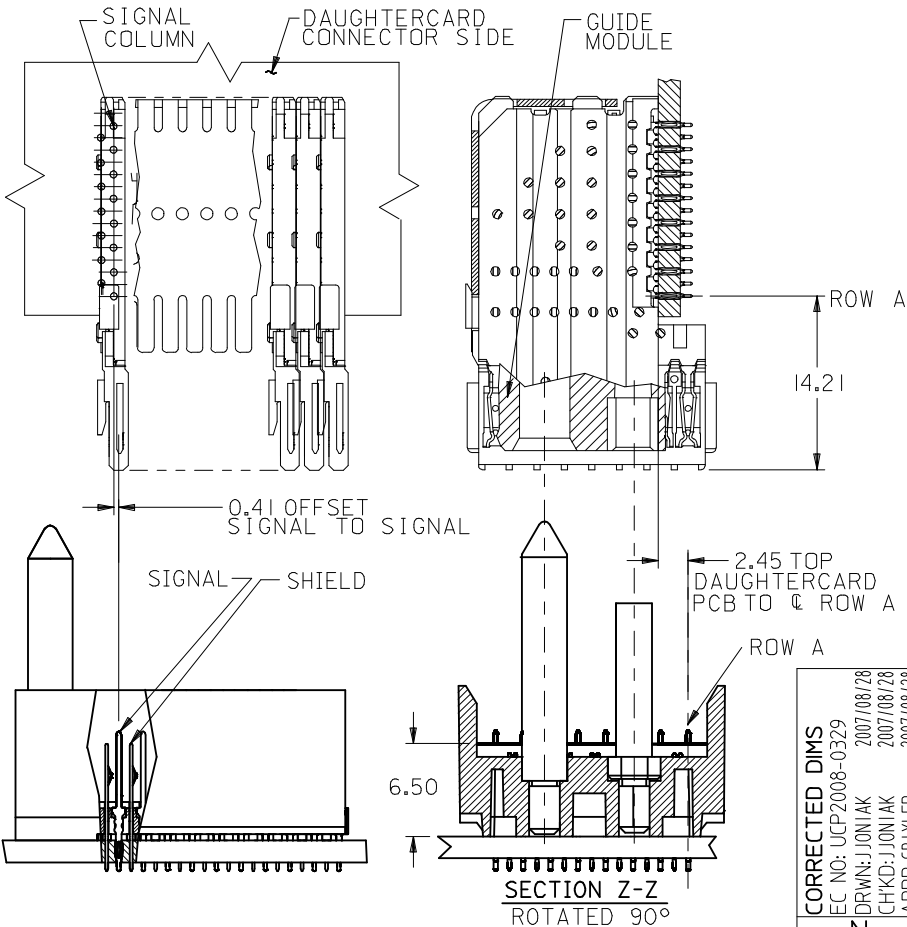
M/N 74061-( )	-**0*	-**1*	-**2*	-**3*	-**4*	-**5*	-**6*	-**7*	-**8*
KEYING PIN ORIENTATION	O	A	B	C	D	E	F	G	H

**74061 - \* \* \* \***

NUMBER OF COLUMNS/PLATING  
 10 = 10 COLUMN TIN/LEAD  
 12 = 12 COLUMN TIN/LEAD\*  
 25 = 25 COLUMN TIN/LEAD  
 90 = 10 COLUMN MATTE TIN  
 92 = 12 COLUMN MATTE TIN\*  
 85 = 25 COLUMN MATTE TIN

CONTACT LOAD  
 (PIN LENGTH)  
 1 & 6 = 4.75  
 2 & 7 = 6.25  
 3 & 8 = 4.25  
 4 & 9 = 5.15

\*12 COLUMN P/N'S ON SHEET 3



PART NUMBER	COLUMN	NUMBER OF SIGNAL PIN	NUMBER OF SHIELD	A	B	M	Au (um) THICKNESS	Sn (um) THICKNESS
74061-*0*1	10	80	10	27.00	18.00	4.75	0.76	0.76-1.52
74061-*0*6							1.27	
74061-*5*1	25	200	25	57.00	48.00	6.25	0.76	
74061-*5*6							1.27	
74061-*0*2	10	80	10	27.00	18.00	6.25	0.76	
74061-*0*7							1.27	
74061-*5*2	25	200	25	57.00	48.00	4.25	0.76	
74061-*5*7							1.27	
74061-*0*3	10	80	10	27.00	18.00	4.25	0.76	
74061-*0*8							1.27	
74061-*5*3	25	200	25	57.00	48.00	5.15	0.76	
74061-*5*8							1.27	
74061-*0*4	10	80	10	27.00	18.00	5.15	0.76	
74061-*0*9							1.27	
74061-*5*4	25	200	25	57.00	48.00	4.75	0.76	
74061-*5*9							1.27	

<b>CORRECTED DIMS</b> EC NO: UCP2008-0329 DRAWN: J JONIAK 2007/08/28 CHKD: J JONIAK 2007/08/28 APPR: CBIXLER 2007/08/28 N	QUALITY SYMBOLS ▽=0 ▽=0	GENERAL TOLERANCES (UNLESS SPECIFIED) mm INCH 4 PLACES ± --- ± --- 3 PLACES ± --- ± --- 2 PLACES ± --- ± --- 1 PLACE ± --- ± --- ANGULAR ±1/2°	DIMENSION STYLE MM ONLY DRAWN BY DATE MWANG 1998/11/09 CHECKED BY DATE JLAURX 1998/11/09 APPROVED BY DATE CBIXLER 1998/11/09	SCALE 2.5:1 TITLE VHD8 8 ROW SIGNAL END BACKPLANE SALES ASSEMBLY	DESIGN UNITS METRIC THIRD ANGLE PROJECTION	
	DRAFT WHERE APPLICABLE MUST REMAIN WITHIN DIMENSIONS			MATERIAL NO. SEE CHART	DOCUMENT NO. SD-74061-002	SHEET NO. 2 OF 3
	MOLEX INCORPORATED					
	THIS DRAWING CONTAINS INFORMATION THAT IS PROPRIETARY TO MOLEX INCORPORATED AND SHOULD NOT BE USED WITHOUT WRITTEN PERMISSION					