

**P/N: H4P041NX LF DATA SHEET****Feature**

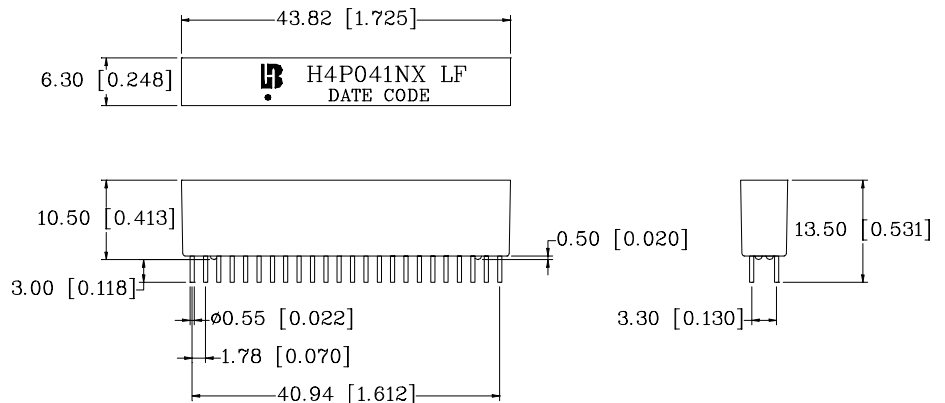
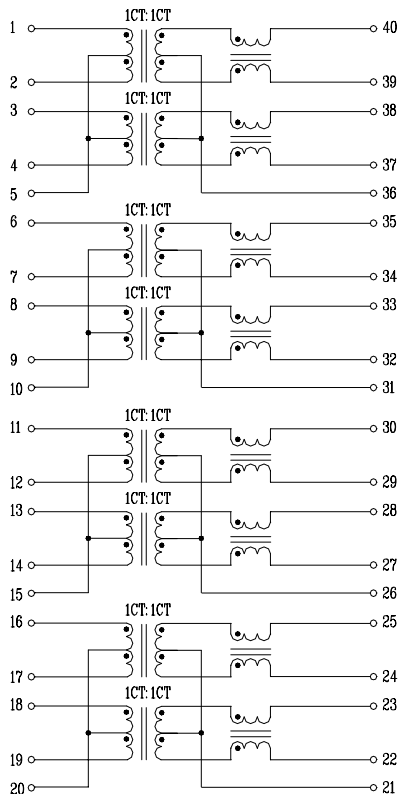
- Magnetic designs to support every PHY.
- Complies with IEEE 802.3 standards including 350 uH min OCL with 8mA bias.
- Lead free for external pins.
- Operating temperature range: 0°C to +70°C.
- Storage temperature range: -25°C to +125°C.

**Electrical Specifications @ 25°C**

Part Number	Turns Ratio (±3%)		OCL (uH Min) @100KHz/0.1V with 8mA DC Bias	Insertion Loss (dB Max) 1-100MHz	HI-POT (Vrms) 1500
	TX	RX			
H4P041NX LF	1CT:1CT	1CT:1CT	350	-1.2	1500

**Continue**

Part Number	Return Loss (dB Min)TX/RX			Cross talk (dB Min)TX/RX			CMR (dB Min)TX/RX		
	30MHz	50MHz	80MHz	0.3-30MHz	30-60MHz	60-100MHz	1-30MHz	30-60MHz	60-125MHz
H4P041NX LF	-15	-13	-11	-40	-35	-30	-30	-25	-20

**Schematic****Mechanical**

Units: mm[Inches] Tolerance: xx.x0±0.25[0.010]  
0.xx±0.05[0.002]