



SINGLE RJ45 CONNECTOR WITH 10
BASE- T MAGNETICS & FILTER

P/N : LF1S022 LF

Feature



- RJ-45 connector integrated with filter.
- Size same as RJ-45 connector to save PCB Board space.
- Reduced EMI radiation to improve EMI performance.
- Comply with RoHS requirements-whole part No Cd, No Hg, No Cr6⁺, No PBB and PBDE and No Pb on external pins.
- Operating temperature range: 0 to +70 .
- Storage temperature range: -25 to +125 .

Electrical Specifications @ 25°C

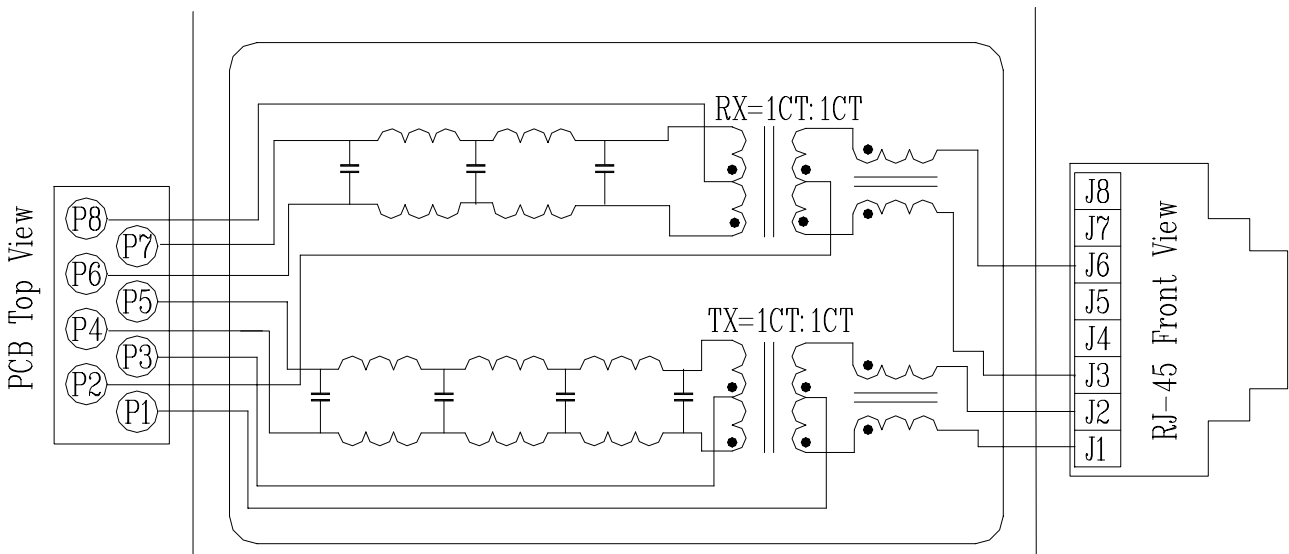
Part Number	Turns Ratio (±5%)		CUT OFF Frequency (TX/RX)	Cross talk Attenuation TX/RX(dB Min)	HI-POT (Vrms)
	TX	RX		1-10MHz	
LF1S022 LF	1CT:1CT	1CT:1CT	17 MHz±1 MHz	-30/-30	1200

Continue

Part Number	Insertion Loss TX/RX(dB Max)	Return Loss TX/RX(dB Min)	Attenuation TX/RX(dB Min)				CMR TX/RX (dB Min)
	1-10MHz	5-10MHz	20MHz	25MHz	30MHz	40MHz	30-100MHz
LF1S022 LF	-1.0	-13.5	-5/-4.2	-18/-11	-28/-16	-33/-26	-30/-30

Schematic

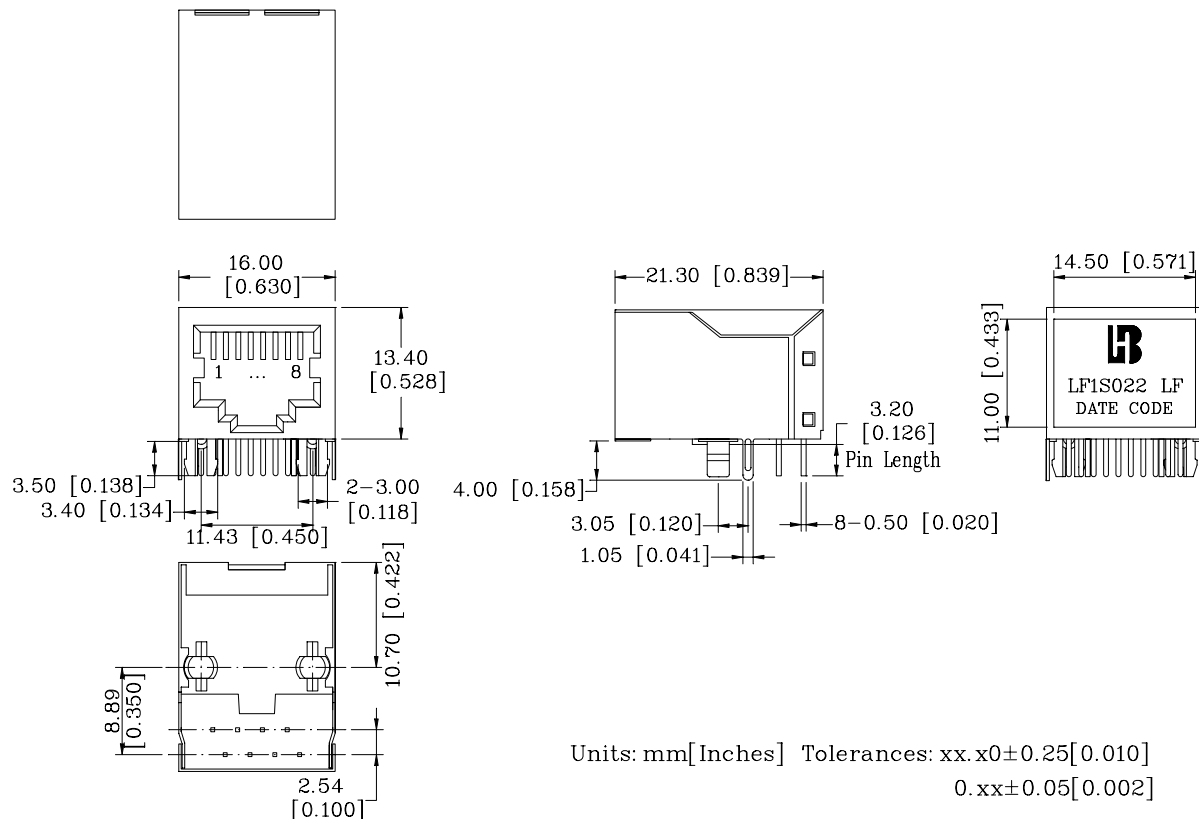
Block Circuit X 1 set in LF1S022 LF





P/N : LF1S022 LF

Mechanical



- 1. Plastic Material : Thermoplastic (UL 94V-0), Black Housing
- 2. Metal Shield : Brass, 20u inches thick Nickel
- 3. Spring Wire : Phosphor bronze with selective gold plating
- 4. Solder Pin : 0.4x0.4mm, Phosphor bronze with solder Plated
- 5. Durability : 750 Mating cycles Min.

PCB Layout Mounting Hole(Top View)

