

PLEASE CHECK WWW.MOLEX.COM FOR LATEST PART INFORMATION

Part Number: [0015923030](#)
Status: **Active**
Description: 30CKT EBBI VT IDT RECPT MS716603030

Documents:

[3D Model](#) [RoHS Certificate of Compliance \(PDF\)](#)
[Drawing \(PDF\)](#)

Agency Certification

CSA LR19980
 UL E29179

General

Product Family IDT and Solder Connectors
 Series [71660](#)
 Crimp Quality Equipment Yes
 Product Name EBBI™

Physical

Circuits (Loaded) 30
 Circuits (maximum) 1
 Color - Resin Black
 Durability (mating cycles max) 2,000
 Flammability 94V-0
 Gender Female
 Glow-Wire Compliant No
 Lock to Mating Part None
 Material - Metal Phosphor Bronze
 Material - Plating Mating Gold
 Material - Plating Termination Tin
 Material - Resin Polyester
 Number of Rows 2
 Packaging Type Tray
 Pitch - Mating Interface (in) 0.050 In
 Pitch - Mating Interface (mm) 1.27 mm
 Plating min: Mating (µin) 30
 Plating min: Mating (µm) 0.75
 Plating min: Termination (µin) 100
 Plating min: Termination (µm) 2.5
 Stackable No
 Temperature Range - Operating -40°C to +105°C
 Termination Interface: Style IDT or Pierce
 Wire Size AWG 30

Electrical

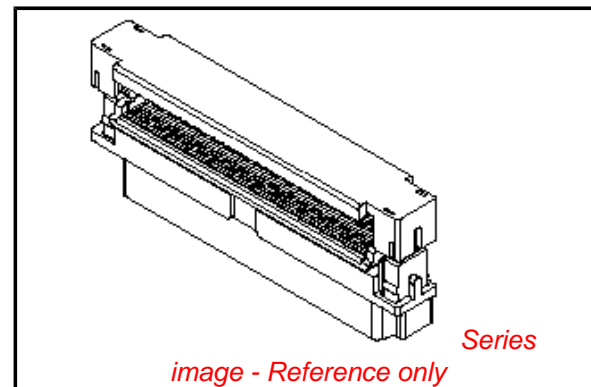
Current - Maximum per Contact 1A
 Voltage - Maximum 30V

Material Info

Old Part Number MS716603030

Reference - Drawing Numbers

Sales Drawing SDA-71660-3***



EU RoHS

ELV and RoHS Compliant
REACH SVHC
 Not Reviewed
Halogen-Free Status

China RoHS



Not Reviewed

Need more information on product environmental compliance?

Email productcompliance@molex.com
 For a multiple part number RoHS Certificate of Compliance, [click here](#)

Please visit the [Contact Us](#) section for any non-product compliance questions.

Search Parts in this Series

[71660Series](#)

Application Tooling | [FAQ](#)

Tooling specifications and manuals are found by selecting the products below. Crimp Height Specifications are then contained in the Application Tooling Specification document.

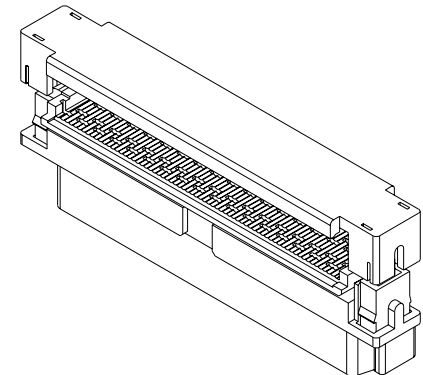
Global

Description	Product #
IDT - Manual Press	0622004600
IDT - Manual Press	0622005500

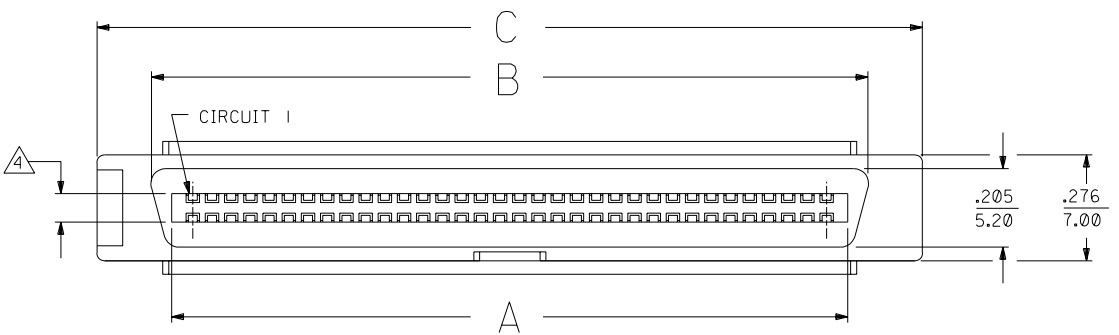
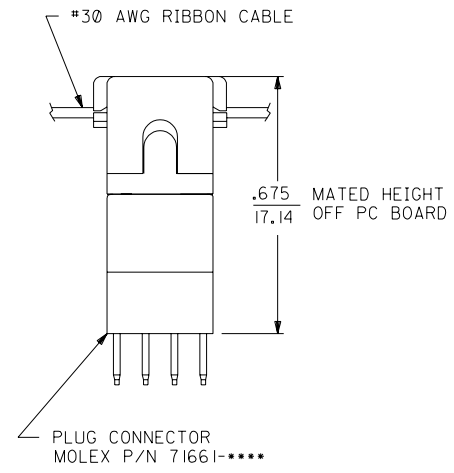
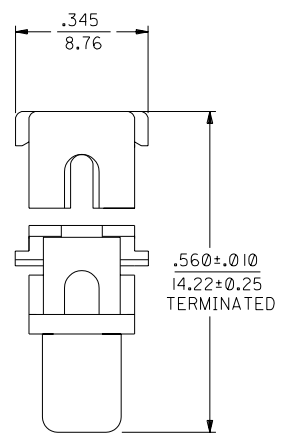
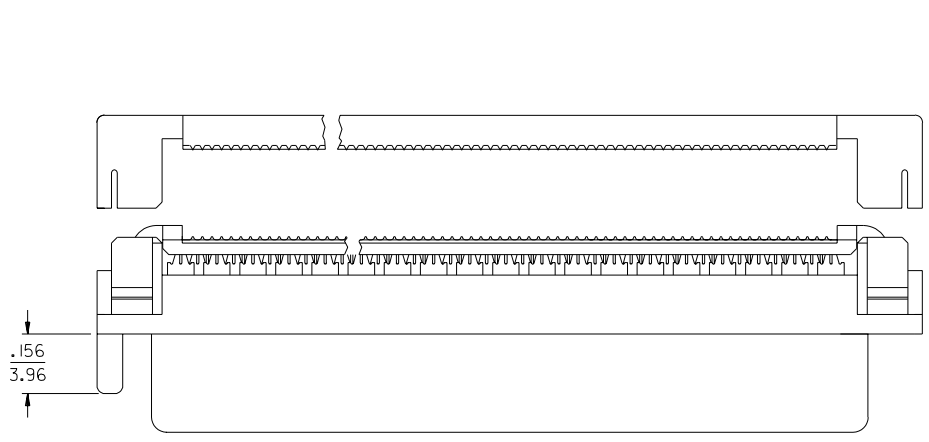
PLEASE CHECK WWW.MOLEX.COM FOR LATEST PART INFORMATION

NOTES:

- 1) MATERIALS:
HOUSING- LCP, GLASS FILLED, 94V-0, BLACK.
ALIGNER, TERMINATION COVER- POLYESTER, GLASS FILLED, 94V-0, BLACK.
TERMINALS- COPPER ALLOY
 - 2) PLATING:
.000030 INCHES GOLD IN SELECTIVE CONTACT AREA OVER
.000050-.000100 INCHES NICKEL IN CONTACT AREA.
.000100-.000200 INCHES TIN IN SOLDER TAIL AREA.
 - 3) ASSEMBLY MATES WITH MOLEX P/N SDA-71661-****.
CONFORMS TO PRODUCT SPECIFICATION PS-71660.
- A** CONNECTOR WILL ACCEPT MATING TO A P.C. BOARD WITH A THICKNESS OF .062±.003.
- 5) CONNECTOR WILL TERMINATE .025 ϕ FLAT RIBBON CABLE, #30 AWG STRANDED OR SOLID, PVC INSULATION.
 - 6) PRODUCT IS SHIPPED AS A KIT. THE HOUSING/ALIGNER SUB-ASSEMBLY IS SHIPPED TRAY PACKED. THE TERMINATION COVER IS SHIPPED BULK PACKED.



68 CIRCUIT AS SHOWN
SCALE- 2:1



NOTE FOR LEAD FREE CONVERSION:
THE PRIMARY SHIPPING CARTON WILL BE LABELED "COMPLIANT TO ROHS DIRECTIVE 2002/95/EC AND ELV ANNEX II OF DIRECTIVE 2000/53/EC". CARTONS WITHOUT THIS LABEL MAY CONTAIN PRODUCT WITH LEAD.

J	LEAD FREE CONV ECR UCP2005-0071 RKADAMS 04/07/11	71660
I	REVISE IDT GEOMETRY ECN# UDT2002-013 DMORGAN 02/02/15	
H	REVISED PER UDT 2000-1231 ACHAMMER 00/06/07	
G	REVISED PER ECN U61587 6-19-96 DGA	
F	REVISED PER ECN U60008 7-10-95 RAN	
E	REVISED PER ECN U51108 5-5-95 RAN	
D	REVISED PER ECN U50872 2-28-95 RAN	
C	REVISED PER ECN U50793 2-10-95 RAN	
B	REVISED PER ECN U50158 9-4-94 RAN	
A	REVISED PER ECN U21513 10-27-92 RAN	
I	X-RELEASE PER ECN U21493 10-9-92 RAN	

2.445 (62.10)	2.166 (55.02)	2.025 (51.43)	80	015-92-3080	SDA-71660-3080
2.145 (54.48)	1.866 (47.40)	1.725 (43.81)	68	015-92-3068	SDA-71660-3068
1.945 (49.40)	1.666 (42.32)	1.525 (38.74)	60	015-92-3060	SDA-71660-3060
1.695 (43.05)	1.416 (35.97)	1.275 (32.38)	50	015-92-3050	SDA-71660-3050
1.445 (36.70)	1.166 (29.62)	1.025 (26.04)	40	015-92-3040	SDA-71660-3040
1.195 (30.35)	.916 (23.27)	.775 (19.68)	30	015-92-3030	SDA-71660-3030
C	B	A	CKT	EDP NUMBER	ENGINEERING NUMBER

DIMENSIONS SHOWN (METRIC) INCH UNLESS OTHERWISE SPECIFIED TOLERANCES: ANGULAR ± 1/2°		▽ = 0 ◻ = 0 REVISIONS ONLY ON CAD SYSTEM	
INCH METRIC 3 PLACE ± .005 --- 2 PLACE ± .01 ± 0.13 1 PLACE --- ± 0.25		TITLE SALES ASSEMBLY EBBI VERTICAL IDT RECEPTACLE CONNECTOR	
DRAFT WHERE APPLICABLE MUST REMAIN WITHIN DIMENSIONS		MOLEX INCORPORATED SHEET NO. DATE LITSE,ILL. 60532 U.S.A. 1 OF 1 8/15/92	
DRWG. NO. SDA-71660-3		PART NO. SDA-71660-3	
BY RAN		BY CAB	
APPROV. BY CAB		SCALE 4: 1	
FILE NAME 571660X3		THIS DRAWING CONTAINS INFORMATION THAT IS PROPRIETARY TO MOLEX INC. AND SHOULD NOT BE USED WITHOUT WRITTEN PERMISSION	