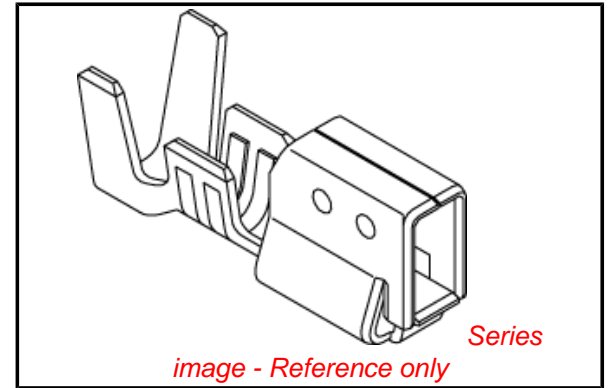


PLEASE CHECK WWW.MOLEX.COM FOR LATEST PART INFORMATION

Part Number: **0502178000**
Status: **Active**
Description: 3.50mm (.138") Pitch Crimp Terminal 50217, 18-24 AWG, Reel, Phosphor Bronze

Documents:

3D Model	Product Specification PS-51067-018 (PDF)
Drawing (PDF)	Product Specification PS-51067-022 (PDF)
Product Specification PS-51067-003 (PDF)	Product Specification PS-51067-023 (PDF)
Product Specification PS-51067-004 (PDF)	RoHS Certificate of Compliance (PDF)
Product Specification PS-51067-006 (PDF)	



General

Product Family	Crimp Terminals
Series	50217
Crimp Quality Equipment	Yes
Product Name	N/A

Physical

Gender	Female
Material - Metal	Phosphor Bronze
Material - Plating Mating	Tin
Material - Plating Termination	Tin
Packaging Type	Reel
Plating min: Mating (µin)	36
Plating min: Mating (µm)	0.90
Plating min: Termination (µin)	36
Plating min: Termination (µm)	0.90
Termination Interface: Style	Crimp or Compression
Wire Insulation Diameter	1.40-3.00mm (.055-.118")
Wire Size AWG	18, 20, 22, 24
Wire Size mm ²	N/A

Material Info

Reference - Drawing Numbers

Product Specification	PS-51067-003, PS-51067-004, PS-51067-006, PS-51067-018, PS-51067-022, PS-51067-023, RPS-51067-030, RPS-51067-037
Sales Drawing	SD-50217-****

EU RoHS

**ELV and RoHS
Compliant**
**REACH SVHC
Contains SVHC: No**
**Halogen-Free
Status**

China RoHS



**Need more information on product
environmental compliance?**

Email productcompliance@molex.com
For a multiple part number RoHS Certificate of
Compliance, [click here](#)

Please visit the [Contact Us](#) section for any
non-product compliance questions.

Search Parts in this Series

50217Series

Mates With

50419

Use With

51067

Application Tooling | FAQ

*Tooling specifications and manuals are
found by selecting the products below.
Crimp Height Specifications are then
contained in the Application Tooling
Specification document.*

Global

Description	Product #
Hand Crimp Tool, UL Approved	0638118300
T2 Terminator Die, Large Insulation	0638503000
T2 Terminator Die, Small Insulation	0638503100

FineAdjust™ Applicator, Small Insulation	<u>0638603100</u>
FineAdjust™ Applicator, Large Insulation	<u>0638603000</u>

Japan

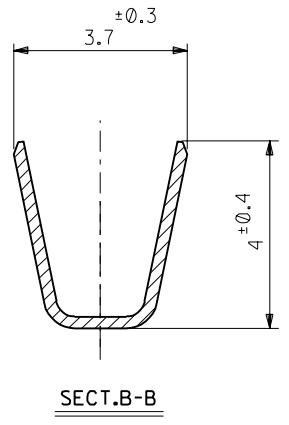
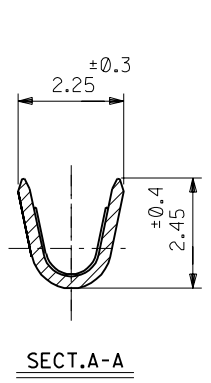
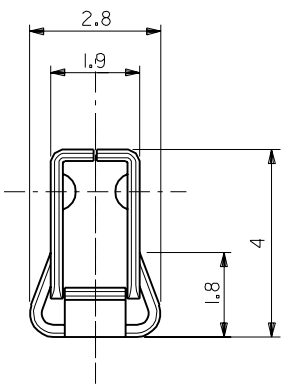
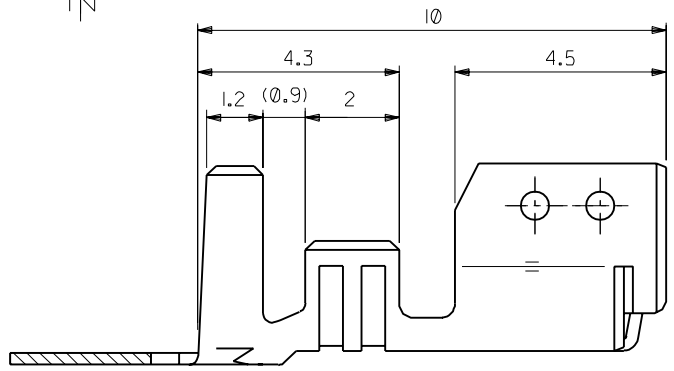
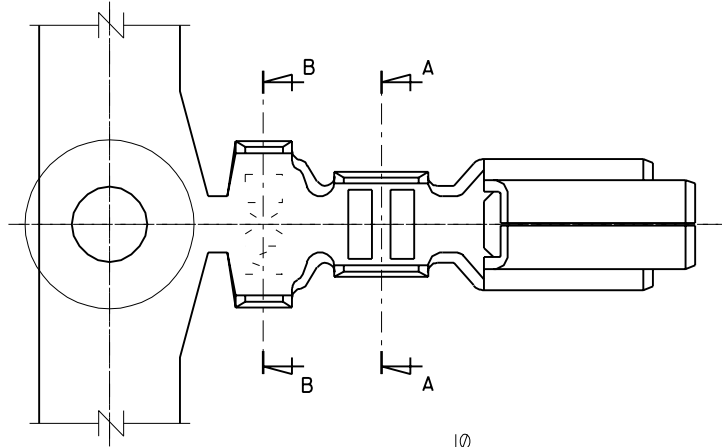
Description	Product #
Hand Extraction Tool	<u>0011260100</u>
Applicator for M211A Bench Press, 18-24 AWG, for 50217 and 50539 Crimp Terminal	<u>0571833000</u>
Side-Feed Applicator For Full-Auto Machine	<u>0571833200</u>

This document was generated on 04/15/2010

PLEASE CHECK WWW.MOLEX.COM FOR LATEST PART INFORMATION

DIMENSIONS IN METRIC DO NOT SCALE DRAWING

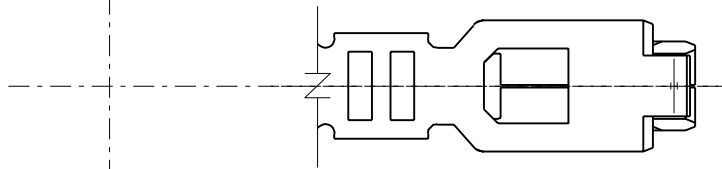
ENG. NO. SD-50217-****
EDP NO.



注記

1. 適合ハウジング：51067-***00

リン青銅，錫メッキ (+ = 0.254)	50217-8100	バラ状
	50217-8000	連鎖状
黄銅，錫メッキ (+ = 0.254)	50217-9101	バラ状
	50217-9001	連鎖状
材 料	ENG. NO.	端子形状



角度 ANGLE	±3°				
30以上 OVER	+0.3	A	変更 (J00226)	90-2-28	
10以上 30未満 UNDER	+0.25	0	新規作成 (J91079)	89-12-19	
10未満 UNDER	+0.2	記号 LTR	変更内容 REVISION RECORD	DR. CHK. DATE	
一般公差 GENERAL TOLERANCES		REVISE ONLY ON CAD SYSTEM			

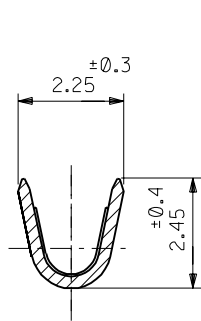
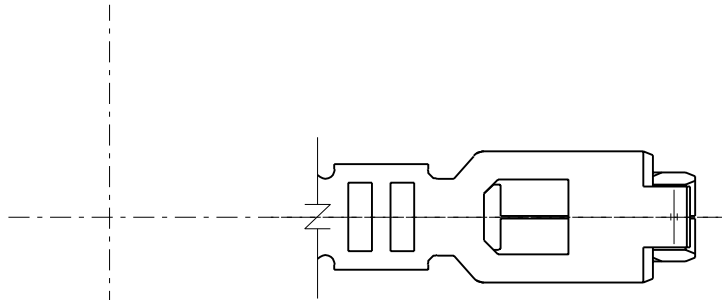
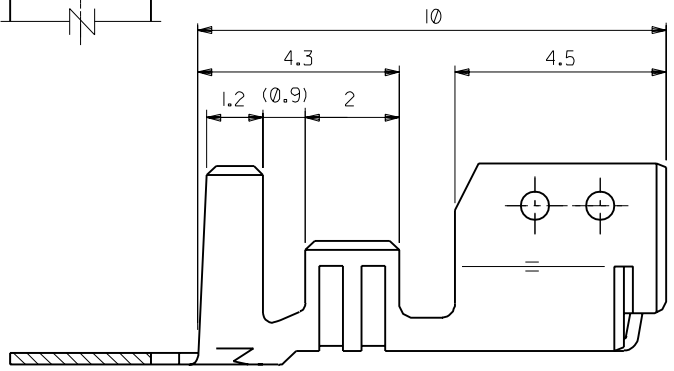
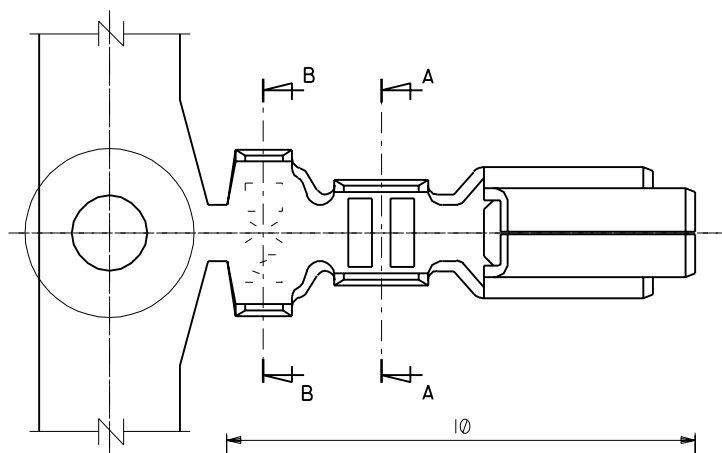
材料 MATERIAL	—
仕上げ FINISH	—
適用電線範囲 WIRE RANGE	AWG #18 ~ #24
被覆外径 INS. RANGE	φ 1.4 ~ φ 3.0
DRAWN BY	'89-12-19 K.ASAKAWA
CHK'D BY	'90/11/15 M.FUKUSHIMA
APP'D BY	'90/11/15 M.ENOMOTO
尺 度 SCALE	—

molex MOLEX-JAPAN CO.,LTD. 日本モレックス株式会社	
EDP. NO.	
ENG. NO.	REV
SD-50217-****	A
TITLE 名称 3.5 WIRE TO BOARD CONN. CRIMP RECEPTACLE	

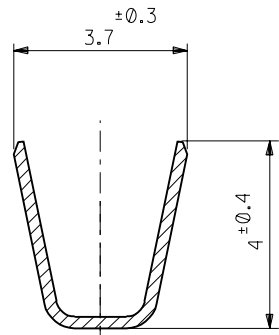
THIS DRAWING CONTAINS INFORMATION THAT IS PROPRIETARY TO MOLEX(JAPAN) AND SHOULD NOT BE USED WITHOUT WRITTEN PERMISSION
本図面は日本モレックス(株)の所有する情報を含むもので 当社の許可なく複製を禁止する。

ENG. NO. SD-50217-****
EDP NO.

MM DIMENSIONS IN METRIC DO NOT SCALE DRAWING



SECT.A-A



SECT.B-B

NOTES

1. APPLICABLE HOUSING :51067-***0

PHOS. BRO. PRE-TINNED (t=0.254)	50217-8100	LOOSE
	50217-8000	CHAIN
BRASS PRE-TINNED (t=0.254)	50217-9101	LOOSE
	50217-9001	CHAIN
MATERIAL	ENG. NO.	FORM

材料 MATERIAL	REFER TO CHART
仕上げ FINISH	—
適用電線範囲 WIRE RANGE	AWG#18~#24
被覆外径 INS. RANGE	φ 1.4 ~ φ 3.0
DRAWN BY	CHK'D BY
S.AIHARA	M.FUKUSHIMA
APP'D BY	尺 度
M.ENOMOTO	SCALE —

molex MOLEX-JAPAN CO.,LTD.
日本モレックス株式会社

EDP. NO.

ENG. NO. SD-50217-****

TITLE 名称
3.5 WIRE TO BOARD CONN.
CRIMP RECEPTACLE

角度 ANGLE	±3°				
30以上 OVER	+0.3	A	REVISED (J01176)	5.3	90/11/14
10以上 30未 OVER UNDER	+0.25	0	PROPOSED (J91079)	4.3	89/12/18
10未 UNDER	+0.2	記号 LTR	変更内容 REVISION RECORD	DR. CHK.	日付 DATE
一般公差 GENERAL TOLERANCES		REVISE ONLY ON CAD SYSTEM			

THIS DRAWING CONTAINS INFORMATION THAT IS PROPRIETARY TO MOLEX(JAPAN) AND SHOULD NOT BE USED WITHOUT WRITTEN PERMISSION
本図面は日本モレックス(株)の所有する情報を含むもので 当社の許可なく複製を禁止する。