

PLEASE CHECK WWW.MOLEX.COM FOR LATEST PART INFORMATION

Part Number: [0673515006](#)
Status: **Active**
Description: MicroCross™ DVI-D Digital Visual Interface, Panel Mount, Through Hole, Vertical, Gold (Au) Flash, Polyester (PBT), 2.79mm (.110") PC TailLength, 24 Circuits, Lead Free

Documents:

[3D Model](#) [RoHS Certificate of Compliance \(PDF\)](#)
[Drawing \(PDF\)](#)

General

Product Family	I/O Connectors
Series	67351
Application	Wire-to-Board
Comments	DDWG (Digital Display Working Group) Standard
Component Type	Receptacle
Product Name	MicroCross™DVI
Type	N/A

Physical

Boot Color	N/A
Circuits (Loaded)	24
Circuits (maximum)	24
Color - Resin	Ivory, Natural
Durability (mating cycles max)	100
Gender	Receptacle
Keying to Mating Part	Yes
Lock to Mating Part	Yes
Material - Metal	Copper Alloy
Material - Plating Mating	Gold
Material - Plating Termination	Tin
Material - Resin	Polyester
Number of Rows	3
Orientation	Vertical
PC Tail Length (in)	0.110 In
PC Tail Length (mm)	2.79 mm
PCB Locator	Yes
PCB Retention	Yes
Packaging Type	Tray
Panel Mount	Yes
Pitch - Mating Interface (in)	0.075 In
Pitch - Mating Interface (mm)	1.91 mm
Pitch - Term. Interface (in)	0.075 In
Pitch - Term. Interface (mm)	1.91 mm
Plating min: Mating (µin)	2
Plating min: Mating (µm)	0.05
Plating min: Termination (µin)	100
Plating min: Termination (µm)	2.50
Polarized to Mating Part	Yes
Polarized to PCB	Yes
Ports	1
Surface Mount Compatible (SMC)	No
Temperature Range - Operating	-20°C to +85°C
Termination Interface: Style	Through Hole
Waterproof / Dustproof	No
Wire Size AWG	N/A

EU RoHS

ELV and RoHS Compliant

REACH SVHC

Not Reviewed

Halogen-Free

Status

Not Reviewed

China RoHS



Need more information on product environmental compliance?

Email productcompliance@molex.com
 For a multiple part number RoHS Certificate of Compliance, [click here](#)

Please visit the [Contact Us](#) section for any non-product compliance questions.

Search Parts in this Series

[67351Series](#)

Mates With

[74323](#) MicroCross™ DVI Plug Components.
[88741](#) MicroCross™ DVI Cable Assemblies

Electrical

Current - Maximum per Contact	3A
Grounding to Panel	Yes
Shield Type	Full Shield
Shielded	Yes
Voltage - Maximum	40V AC (RMS)

Material Info**Reference - Drawing Numbers**

Packaging Specification	PK-74320-010
Sales Drawing	SD-67351-004

This document was generated on 06/07/2010

PLEASE CHECK WWW.MOLEX.COM FOR LATEST PART INFORMATION

DO NOT SCALE DRAWING

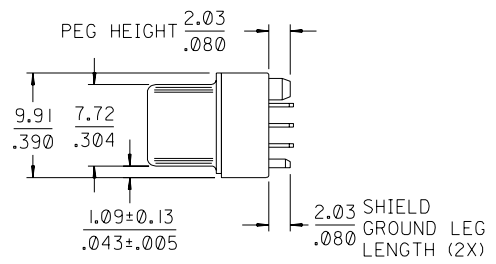
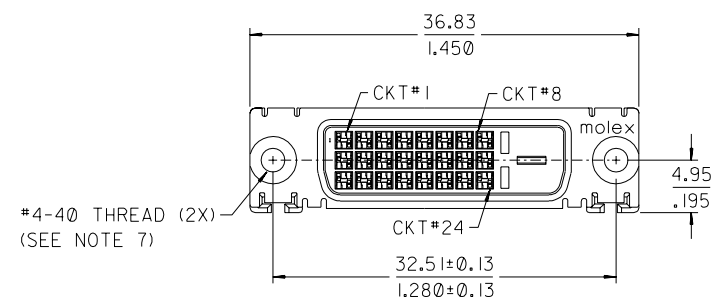
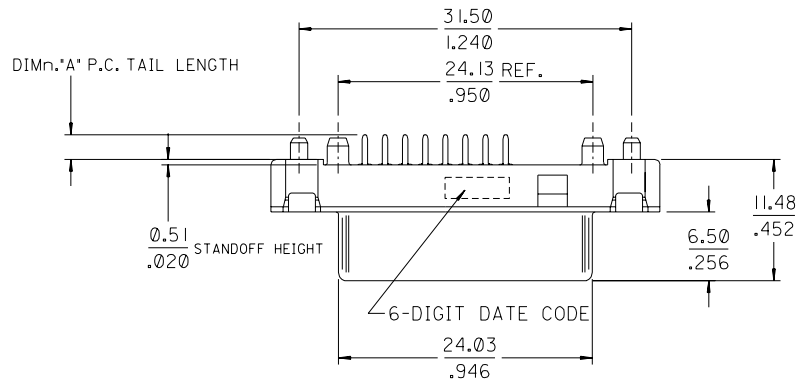
CADFILE NO: 56735104.S01

SIMILAR ITEM

EDP NO.

ENG. NO

SEE CHART



- NOTES:
- MATERIALS:
SHIELD -- DEEP DRAW STEEL.
HOUSING -- GLASS FILLED POLYMER, NATURAL (IVORY WHITE), UL 94v-0.
CONTACTS -- COPPER ALLOY.
 - PLATING: SEE SHEET 2.
 - PRODUCT CONFORMS TO MOLEX PRODUCT SPECIFICATION NUMBER PS-74320-001.
 - SEE SHEET 2 FOR RECOMMENDED PANEL CUT-OUT AND P.C.B. LAYOUT.
 - PARTS WILL BE PACKAGED IN TRAYS PER PK-74320-010.
 - PRODUCT CONFORMS TO DDWG DVI SPECIFICATION. REFER TO THIS SPECIFICATION FOR CONNECTOR MATING DIMENSIONS.
 - RECOMMENDED MOUNTING HARDWARE IS MOLEX P/N 87780-6066 OR 82007-0300 OR 71781-0001. REFER TO PRODUCT SPECIFICATION NUMBER PS-74320-001 FOR THE APPLICATION TORQUE REQUIREMENT FOR ASSEMBLING MOUNTING HARDWARE.

PART NUMBER	DIMn "A"	DIMn "B"	PLATING OPTION
67351-5000	2.34/.092	2.03	1
67351-5001	1.27/.050	.080	1
67351-5002	2.79/.110	2.79	1
67351-5003	3.12/.123	.110	1
67351-5004	2.34/.092	2.03	2
67351-5005	1.27/.050	.080	2
67351-5006	2.79/.110	2.79	2
67351-5007	3.12/.123	.110	2

MODIFICATION	DESCRIPTION
FC NO. SH2004-0129	
DRWN: TXUE 2004/03/04	
CHK: GRMA 2004/03/04	
APPR: SAM 2004/03/04	
D	REV

QUALITY SYMBOLS	GENERAL TOLERANCES: (UNLESS SPECIFIED)
MAJOR $\nabla = 0$	mm INCH
CRITICAL $\triangle = 0$	4 PLACES ± . ± .
	3 PLACES ± . ±.010
	2 PLACES ±0.25 ±.010
	1 PLACE ±0.25 ±.010
	ANGULAR: ±3°
	DRAFT WHERE APPLICABLE MUST REMAIN WITHIN DIMENSIONS

SCALE	DESIGN UNITS	TITLE	DIMENSIONS:	SHT	REV
2:1	<input checked="" type="checkbox"/> mm <input checked="" type="checkbox"/> INCH	DVI - DIGITAL VERTICAL RECEPTACLE CONNECTOR	<input checked="" type="checkbox"/> mm <input type="checkbox"/> INCH <input type="checkbox"/> mm <input type="checkbox"/> ONLY		
DRAWN BY & DATE		THIRD ANGLE PROJECTION			
GRACE 00/09/05		REVISE ON CAD ONLY			
CHECKED BY & DATE		MOLEX INCORPORATED			
SASHIN 00/09/05					
APPROVED BY & DATE		MATERIAL NO.	DRAWING NO.	SHEET NO.	
MLIN 00/09/05		SEE CHART	SD-67351-004	1 OF 2	
CAD FILENAME		THIS DRAWING CONTAINS INFORMATION THAT IS PROPRIETARY TO MOLEX INCORPORATED AND SHOULD NOT BE USED WITHOUT WRITTEN PERMISSION.			
SD67351004.S01		SIZE A3			

ENG. NO SEE CHART

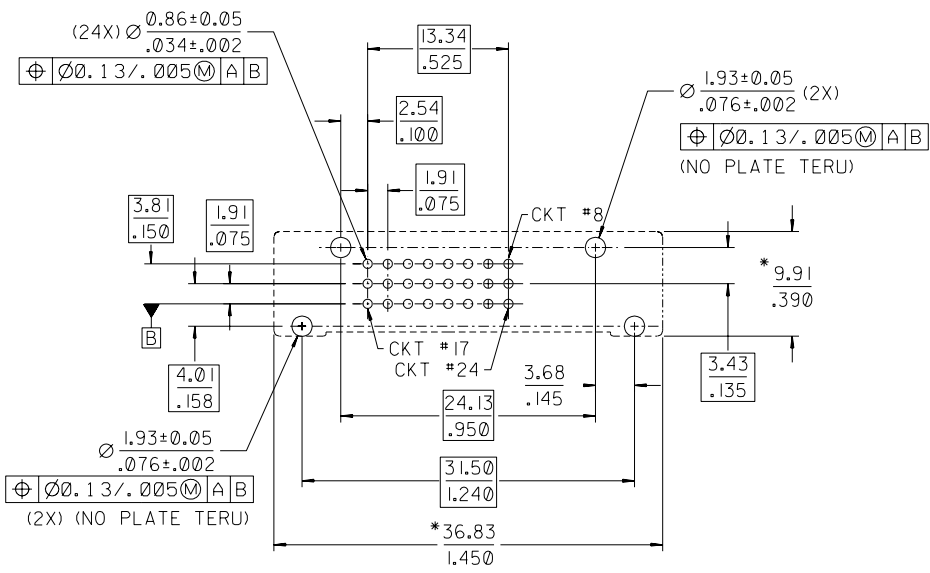
EDP NO.

SIMILAR ITEM

CADFILE NO.:S6735104.S02

DO NOT SCALE DRAWING

8 7 6 5 4 3 2 1



RECOMMENDED PCB LAYOUT

* THESE DIMENSIONS REPRESENT CONNECTOR OVERLAY ON PCB

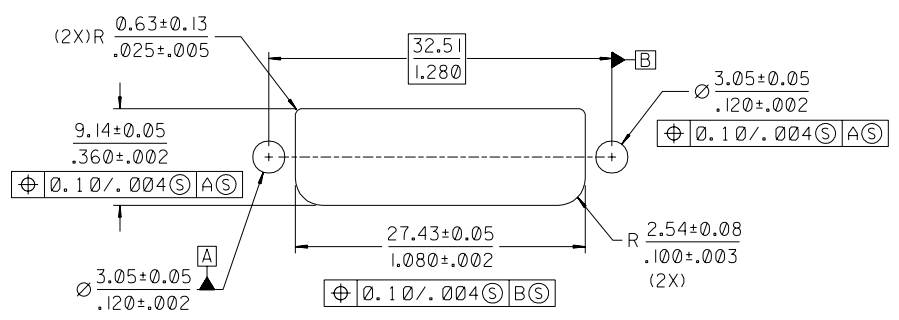
PLATING OPTIONS:

PLATING OPTION #1:

OUTER SHIELD -- 150u"/3.75um MIN. BRIGHT TIN OVER
 50u"/1.27um OVER COPPER FLASH.
 .075"/1.91mm CONTACTS -- 30u"/0.75um MIN. SELECT GOLD AND
 100u"/2.50um MIN. SELECT PURE TIN
 OVER 50u"/1.27um MIN. NICKEL OVERALL.

PLATING OPTION #2:

OUTER SHIELD -- 150u"/3.75um MIN. BRIGHT TIN OVER
 50u"/1.27um MIN. NICKEL OVER COPPER FLASH.
 .075"/1.91mm CONTACTS -- SELECT GOLD FLASH AND
 100u"/2.50um MIN. SELECT PURE TIN
 OVER 50u"/1.27um MIN. NICKEL OVERALL.



RECOMMEND PANEL CUT-OUT
 PANEL THICKNESS:0.76/.030 - 1.02/.040

MODIFICATION EC NO. SH2004-029 DRWN: TXUE 2004/03/04 CHK: GRMA 2004/03/04 APPR: SAM 2004/03/04	QUALITY SYMBOLS MAJOR ∇ CRITICAL ∇	GENERAL TOLERANCES: (UNLESS SPECIFIED)		SCALE 2:1	DESIGN UNITS <input checked="" type="checkbox"/> mm <input checked="" type="checkbox"/> INCH	DIMENSIONS: <input checked="" type="checkbox"/> mm <input type="checkbox"/> INCH <input type="checkbox"/> mm ONLY	SHT REV
		DRAWN BY & DATE GRACE 00/09/05		THIRD ANGLE PROJECTION		TITLE: DVI-DIGITAL VERTICAL RECEPTACLE CONNECTOR	
		CHECKED BY & DATE SASHIN 00/09/05		APPROVED BY & DATE MLIN 00/09/05		MOLEX INCORPORATED	
		CAD FILENAME SD67351004.S02		MATERIAL NO. SEE CHART	DRAWING NO. SD-67351-004	SHEET NO. 2 OF 2	
REV D	DESCRIPTION DRAFT WHERE APPLICABLE MUST REMAIN WITHIN DIMENSIONS	THIS DRAWING CONTAINS INFORMATION THAT IS PROPRIETARY TO MOLEX INCORPORATED AND SHOULD NOT BE USED WITHOUT WRITTEN PERMISSION.				SIZE A3	